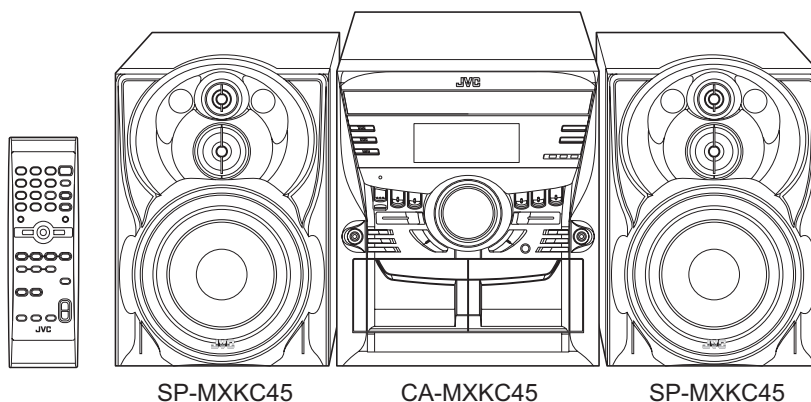


JVC

SERVICE MANUAL

COMPACT COMPONENT SYSTEM

MX-KC45E, MX-KC45EN, MX-KC45A, MX-KC45UW, MX-KC45UY, MX-KC45UJ



COMPACT
disc
DIGITAL AUDIO

MPE
PLAYBACK

Radio Data System

Lead free solder used in the board (material : Sn-Ag-Cu, melting point : 219 Centigrade)

TABLE OF CONTENTS

1	PRECAUTION.....	1-3
2	SPECIFIC SERVICE INSTRUCTIONS.....	1-5
3	DISASSEMBLY.....	1-6
4	ADJUSTMENT.....	1-12
5	TROUBLESHOOTING.....	1-13

SPECIFICATION

Amplifier	Output Power	(IEC 268-3)	155 W per channel, min. RMS, driven into 6 Ω at 1kHz, with no more than 10% total harmonic distortion
		(DIN-3)	125 W per channel, min. RMS, driven into 6 Ω at 1kHz, with no more than 0.9% total harmonic distortion
Input Sensitivity/ Impedance (1 kHz)	AUX IN		400 mV/50 kΩ
	Speaker terminals		6 Ω - 16 Ω
	Phones		32 Ω - 1 kΩ 17 mW/ch output into 32 Ω
Cassette Deck Section	Frequency Response : Type I (NORMAL)		63 Hz - 12 500 Hz
	Wow And Flutter		0.15% (WRMS)
CD Player	CD Capacity		3 CDs
	Dynamic Range		85 dB
	Signal-To-Noise Ratio		85 dB
	Wow And Flutter		Unmeasurable
Tuner	FM Tuner : Tuning Range		87.50 MHz - 108.00 MHz 87.50 MHz - 108.00 MHz (at AM9 kHz channel space) 87.5 MHz - 108.0 MHz (at AM10 kHz channel space)
	AM Tuner : Tuning Range		522 kHz - 1710 kHz 522 kHz - 1 629 kHz (for Europe) 531 kHz - 1710 kHz (at AM9 kHz channel space) 530 kHz - 1710 kHz (at AM10 kHz channel space)
Unit	Dimensions		270 mm × 307 mm × 492 mm (W/H/D)
	Mass		Approx. 9.3 kg
Speaker Specifications (each unit)	Type		3-way bass-reflex type
	Speaker Unit	Woofers	16 cm cone × 1
		Mid	5cm cone × 1
		Tweeter	2cm dome × 1
	Power Handling Capacity		160 W
	Impedance		6 Ω
	Frequency Range		45 Hz - 22 000 Hz
	Sound pressure level		87 dB/W·m
	Dimensions		220 mm × 324 mm × 238 mm (W/H/D)
	Mass		Approx. 3.6 kg
Power Specifications	Power Requirements		AC 240 V , 50 Hz (for Australia) AC 230 V , 50 Hz (for Europe) AC 110 V-127 V/220 V-240 V , adjustable with voltage selector, 50 Hz/60 Hz (for Asia)
	Power Consumption		165 W (power on mode) 23 W (in Standby mode) 1 W (in ECO mode)

Design and specifications are subject to change without notice.

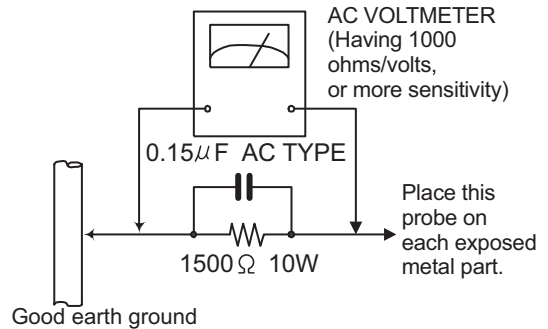
SECTION 1 PRECAUTION

1.1 Safety Precautions

- (1) This design of this product contains special hardware and many circuits and components specially for safety purposes. For continued protection, no changes should be made to the original design unless authorized in writing by the manufacturer. Replacement parts must be identical to those used in the original circuits. Services should be performed by qualified personnel only.
- (2) Alterations of the design or circuitry of the product should not be made. Any design alterations of the product should not be made. Any design alterations or additions will void the manufacturer's warranty and will further relieve the manufacturer of responsibility for personal injury or property damage resulting therefrom.
- (3) Many electrical and mechanical parts in the products have special safety-related characteristics. These characteristics are often not evident from visual inspection nor can the protection afforded by them necessarily be obtained by using replacement components rated for higher voltage, wattage, etc. Replacement parts which have these special safety characteristics are identified in the Parts List of Service Manual. Electrical components having such features are identified by shading on the schematics and by (Δ) on the Parts List in the Service Manual. The use of a substitute replacement which does not have the same safety characteristics as the recommended replacement parts shown in the Parts List of Service Manual may create shock, fire, or other hazards.
- (4) The leads in the products are routed and dressed with ties, clamps, tubings, barriers and the like to be separated from live parts, high temperature parts, moving parts and/or sharp edges for the prevention of electric shock and fire hazard. When service is required, the original lead routing and dress should be observed, and it should be confirmed that they have been returned to normal, after reassembling.
- (5) Leakage shock hazard testing
After reassembling the product, always perform an isolation check on the exposed metal parts of the product (antenna terminals, knobs, metal cabinet, screw heads, headphone jack, control shafts, etc.) to be sure the product is safe to operate without danger of electrical shock. Do not use a line isolation transformer during this check.
 - Plug the AC line cord directly into the AC outlet. Using a "Leakage Current Tester", measure the leakage current from each exposed metal part of the cabinet, particularly any exposed metal part having a return path to the chassis, to a known good earth ground. Any leakage current must not exceed 0.5mA AC (r.m.s.).
 - Alternate check method
Plug the AC line cord directly into the AC outlet. Use an AC voltmeter having, 1,000 Ω per volt or more sensitivity in the following manner. Connect a 1,500 Ω 10W resistor paralleled by a 0.15 μ F AC-type capacitor between an exposed metal part and a known good earth ground. Measure the AC voltage across the resistor with the AC

voltmeter.

Move the resistor connection to each exposed metal part, particularly any exposed metal part having a return path to the chassis, and measure the AC voltage across the resistor. Now, reverse the plug in the AC outlet and repeat each measurement. Voltage measured any must not exceed 0.75 V AC (r.m.s.). This corresponds to 0.5 mA AC (r.m.s.).



1.2 Warning

- (1) This equipment has been designed and manufactured to meet international safety standards.
- (2) It is the legal responsibility of the repairer to ensure that these safety standards are maintained.
- (3) Repairs must be made in accordance with the relevant safety standards.
- (4) It is essential that safety critical components are replaced by approved parts.
- (5) If mains voltage selector is provided, check setting for local voltage.

1.3 Caution

Burrs formed during molding may be left over on some parts of the chassis.
Therefore, pay attention to such burrs in the case of pre-forming repair of this system.

1.4 Critical parts for safety

In regard with component parts appearing on the silk-screen printed side (parts side) of the PWB diagrams, the parts that are printed over with black such as the resistor (\blacksquare), diode (\blacksquare) and ICP (\bullet) or identified by the " Δ " mark nearby are critical for safety. When replacing them, be sure to use the parts of the same type and rating as specified by the manufacturer.
(This regulation does not Except the J and C version)

1.5 Important for laser products

1.CLASS 1 LASER PRODUCT

2.CAUTION :

(For U.S.A.) Visible and/or invisible class II laser radiation when open. Do not stare into beam.

(Others) Visible and/or invisible class 1M laser radiation when open. Do not view directly with optical instruments.

3.CAUTION : Visible and/or invisible laser radiation when open and inter lock failed or defeated. Avoid direct exposure to beam.

4.CAUTION : This laser product uses visible and/or invisible laser radiation and is equipped with safety switches which prevent emission of radiation when the drawer is open and the safety interlocks have failed or are defeated. It is dangerous to defeat the safety switches.

(For U.S.A.)

CAUTION : Visible and/or invisible class II laser radiation when open. Do not stare into beam.

(Others)

CAUTION : Visible and/or invisible class 1M laser radiation when open. Do not view directly with optical instruments

ACHTUNG: Sichtbare und/oder unsichtbare Laserstrahlung der Klasse 1M bei offenen Abdeckungen. Nicht direkt mit optischen Instrumenten betrachten.

ATTENTION: Rayonnement laser visible et/ou invisible de classe 1M une fois ouvert. Ne pas regarder directement avec des instruments optiques.

VOORZICHTIG: Zichtbare en/of onzichtbare klasse 1M laserstralen indien geopend. Bekijk niet direct met optische instrumenten.

ATTENZIONE: Radiazione laser in classe 1M visibile e/o invisibile quando aperto. Non osservare direttamente con strumenti ottici.

WARNING: Synlig och/eller osynlig laserstrålning, klass 1M, när denna del är öppnad. Betrakta ej strålen med optiska instrument.

VARO! Avattaessa olet alttiina näkyvälle ja/tai näkymättömälle luokan 1M lasersäteilylle. Älä tarkastele sitä optisen laitteen läpi.

ADVARSEL: Synlig og/eller usynlig klasse 1M-laserstråling ved åbning. Se ikke direkte med optiske instrumenter.

AVISO: Radiación láser de clase 1M visible y/o invisible cuando está abierto. No mirar directamente con instrumental óptico.

PRECAUÇÃO: Radiação laser de classe 1M visível e/ou invisível quando aberto. Não olhe diretamente com instrumentos ópticos.

5.CAUTION : If safety switches malfunction, the laser is able to function.

6.CAUTION : Use of controls, adjustments or performance of procedures other than those specified here in may result in hazardous radiation exposure.



CAUTION Please use enough caution not to see the beam directly or touch it in case of an adjustment or operation check.

PRECAUÇÃO: Radiação laser de classe 1M visível e/ou invisível quando aberto. Não olhe diretamente com instrumentos ópticos.

ПРЕДУПРЕЖДЕНИЕ: В открытом состоянии происходит видимое и/или невидимое излучение лазера класса 1M. Не смотрите непосредственно в оптические инструменты.

UWAGA: Otwarcie spowoduje narażenie na widzialne i/lub niewidzialne promieniowanie lasera klasy 1M. Nie patrzeć bezpośrednio w przyrządy optyczne.

UPOZORNĚNÍ: Při otevření vydává viditelné popř. neviditelné laserové ozáření třídy 1M. Nedívejte se do otvoru přímo s optickými nástroji.

FIGYELMEZTETÉS: Látható és/vagy láthatatlan 1M osztályú sugárzás nyitott állapotban. Ne nézze közvetlenül optikai műszerekkel.

注意: 打開蓋板可能會產生可見或不可見的 1M 級鐳射。不要使用光學儀器直接進行窺視。

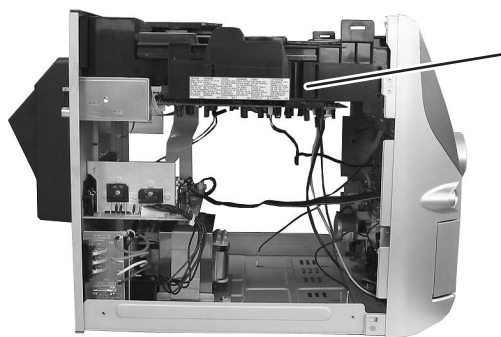
注意: 打开蓋板可能会产生可见或不可见的 1M 级鐳射。不要使用光学仪器直接进行窺視。

تنبيه: يوجد إشعاع ليزري مرئي و/أو غير مرئي من الفئة 1M عندما يكون الجهاز مفتوحاً. تجنب النظر مباشرة داخل الجهاز باستخدام أدوات بصرية.

احتياطات: هنگامی که باز گردد، تشعشع مرئی و یا نامرئی کلاس 1M لیزر وجود دارد. با لوازم چشمی مستقیماً به آن نگاه نکنید.

주의: 개방하면 가시 및/또는 비가시 클래스 1M 레이저 방사선이 나옵니다. 광학 기구로 직접 들여다보지 마십시오.

REPRODUCTION AND POSITION OF LABELS and PRINT WARNING LABEL and PRINT



CAUTION VISIBLE AND/OR INVISIBLE CLASS 1M LASER RADIATION WHEN OPEN. DO NOT STARE INTO BEAM OR VIEW DIRECTLY WITH OPTICAL INSTRUMENTS. (ENG)	VARNING SYNLIG OCH/ELLER OSYNLIG LASERSTRÅLNING. KLASS 1M, NÄR DENNA DEL ÄR ÖPPNAD. STIRRA EJ IN I STRÅLEN OCH BETRAKTA EJ STRÅLEN MED OPTISKA INSTRUMENT. (SWE)	AVISO RADIACIÓN LÁSER DE CLASE 1M VISIBLE Y/O INVISIBLE. CUANDO ESTÁ ABIERTO, NO MIRAR PLAJAMENTE EL HAZ NI OBSERVAR DIRECTAMENTE CON INSTRUMENTAL ÓPTICO. (ESP)	ADVARSEL SYNLIG OG/ELLER USYNLIG KLASSE 1M-LASERSTRÅLING VED ÅBNING. SE IKKE IND I STRÅLEN - HELLER IKKE MED OPTISKE INSTRUMENTER. (DNK)	VARO! AVATTAESSA OLET ALTTIINA NÄKYVÄLLE JA/TAI NÄKYMÄTTÖMÄLLE LUOKAN 1M LASERSÄTEILYLLE. ÄLÄ KATSO SUORAAN SÄTEESEEN TAI TARKASTELE, SITÄ OPTISEN LAITTEEN LÄPI. (FIN)	ATTENTION RAYONNEMENT LASER VISIBLE ET/OU INVISIBLE DE CLASSE 1M UNE FOIS OUVERT. NE PAS FIXER LE FAISCEAU NI REGARDER DIRECTEMENT AVEC DES INSTRUMENTS OPTIQUES. LV44603-001A (FRA)
--	--	--	---	---	--

SECTION 2
SPECIFIC SERVICE INSTRUCTIONS

This service manual does not describe SPECIFIC SERVICE INSTRUCTIONS.

SECTION 3 DISASSEMBLY

3.1 Main Body

3.1.1 Removing the metal cover

(See Fig.1, 2)

- (1) Remove the two screws **A** and four screws **B** attaching the metal cover from both side of the main body. (See Fig.1)
- (2) Remove the six screws **C** attaching the metal cover from back side of main body. (See Fig.2)

3.1.2 Removing the heat sink cover

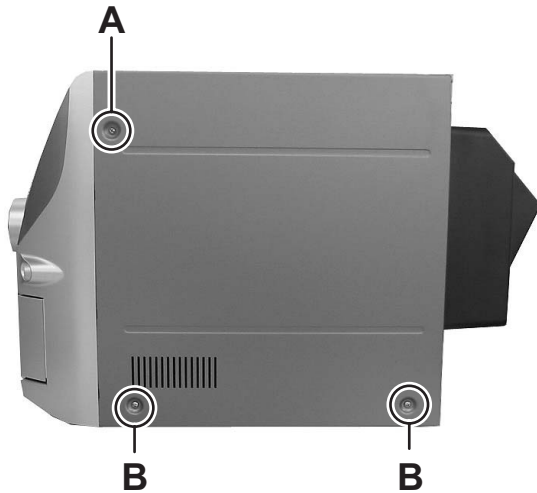
(See Fig.2, 3)

- (1) Disconnect the connector wire from the fan connected to connector **CN603** of the amp board. (See Fig.3)
- (2) Remove the four screws **D** attaching the heat sink cover. (See Fig.2)

3.1.3 Removing the fan

(See Fig.2)

- (1) Remove the four screws **E** attaching the fan.



(both side)

Fig.1

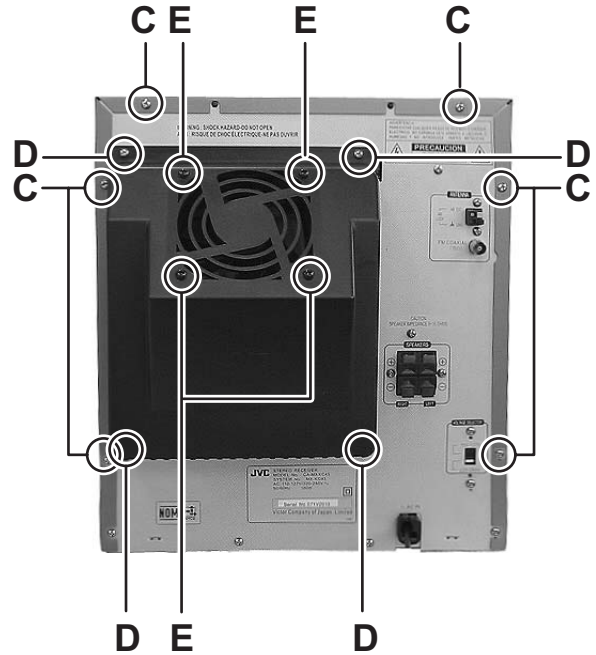


Fig.2

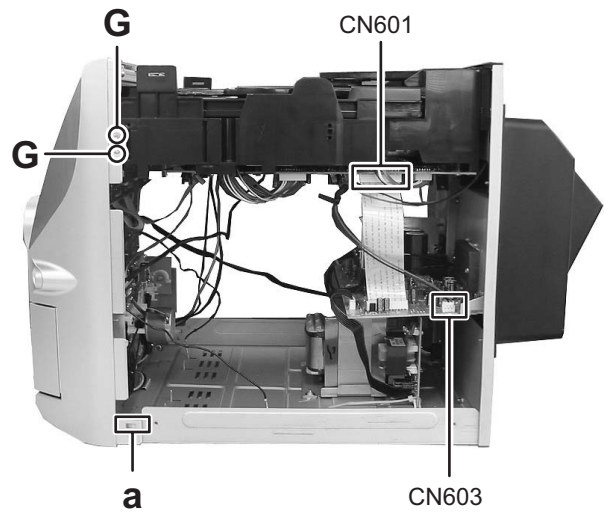


Fig.3

3.1.4 Removing the 3CD changer mechanism

(See Fig.3 to 7)

- (1) Disconnect the card wire from amp board connected to the connector **CN601** of the main board. (See Fig.3)
- (2) Disconnect the card wire from the tuner pack connected to the connector **CN306** of the main board. (See Fig.4)
- (3) Open the CD tray and remove the CD door.

Caution:

If the CD tray can not open at power to ON condition, rotate the gear and open the CD tray. (See Fig.5)

- (4) Disconnect the card wire connected to the connector **CN201** and **CN303** of the main board. (See Fig.6)
- (5) Disconnect the connector wire connected to the connector **CN301** and **CN302** of the main board. (See Fig.6)
- (6) Remove the two screws **F** attaching the 3CD changer mechanism of back side of the main body. (See Fig.7)
- (7) Remove the four screws **G** attaching the 3CD changer mechanism from both side of the main body. (See Fig.3, 4)

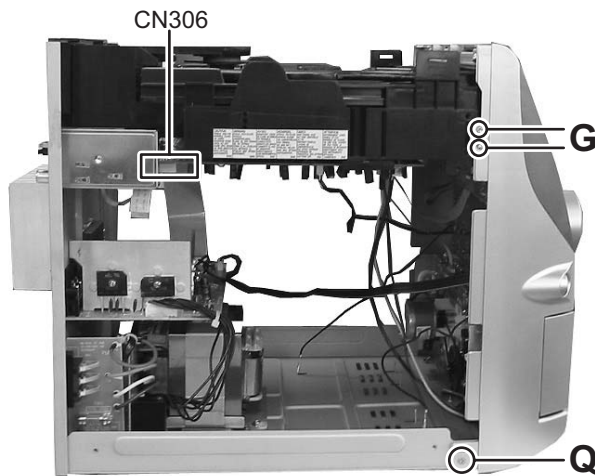


Fig.4

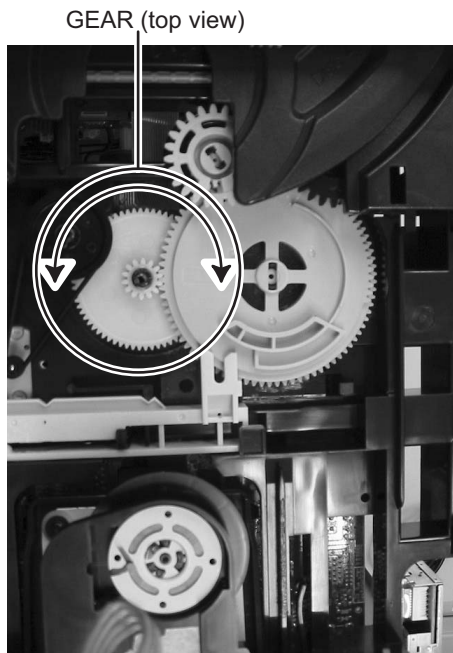


Fig.5

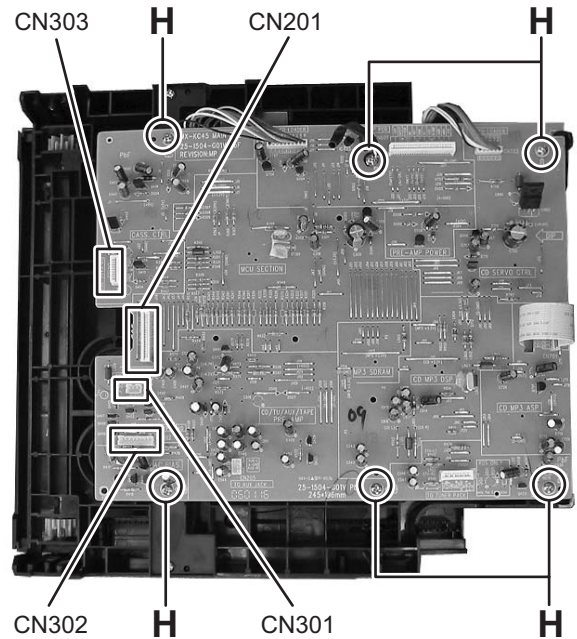


Fig.6

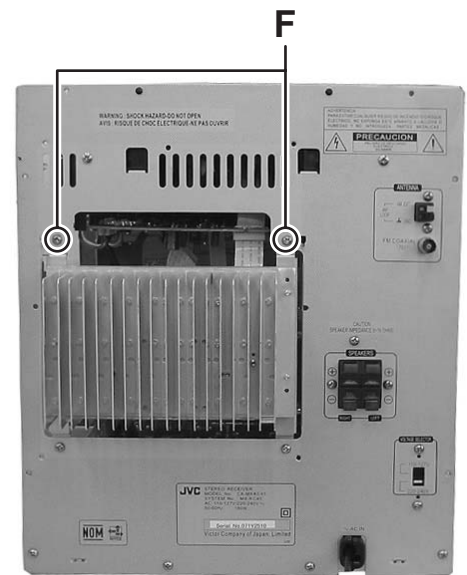


Fig.7

3.1.5 Removing the main board (See Fig.6, 8, 9)

- (1) Remove the six screws **H** attaching the main board. (See Fig.6)
- (2) Disconnect the connector wire connected to the connector **CW3** of the motor board. (See Fig.8)
- (3) Disconnect the connector wire connected to the connector of the traverse mechanism. (See Fig.8)
- (4) Solder the short land section of the CD pickup and then disconnected the card wire from the main board connected to the CD pickup. (See Fig.9)

Caution:

- Solder the short land section of the CD pickup before disconnecting the card wire from the connector on the CD pickup. If the card wire is disconnected without attaching the solders, the pickup may be destroyed by static electricity.
- When attaching the CD pickup, be sure to remove solders from the short land section after connecting the card wire to the connector on the CD pickup.

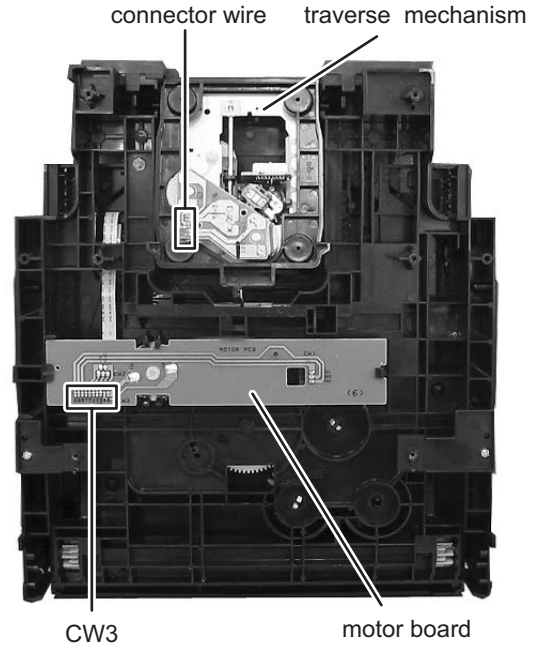


Fig.8

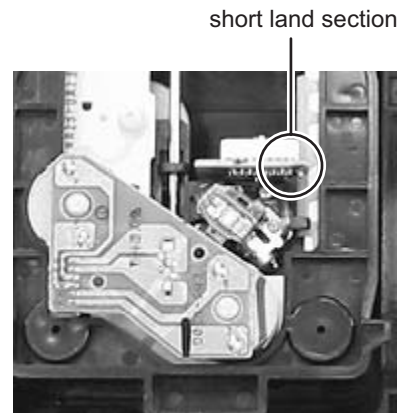


Fig.9

3.1.6 Removing the tuner pack (See Fig.11)

- (1) Remove the two screws **J** attaching the tuner pack.

3.1.7 Removing the amp board (See Fig.10, 11)

- (1) Disconnect the connector wire from the front board connected to the connector **CN202** of the amp board. (See Fig.10)
- (2) Disconnect the connector wires from the power transformer connected to the connector **CN902** and **CN903** of the amp board. (See Fig.10)
- (3) Remove the four screws **K** attaching the amp board. (See Fig.11)
- (4) Remove the three screws **L** attaching the amp board. (See Fig.11)

3.1.8 Removing the voltage selector board (See Fig.11)

- (1) Remove the two screws **M** attaching the voltage selector board.

3.1.9 Removing the rear panel (See Fig.11)

- (1) Remove the four screws **N** attaching the rear panel.

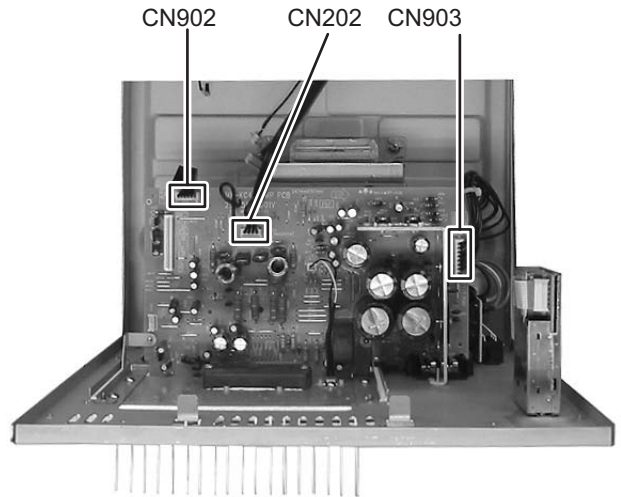


Fig.10

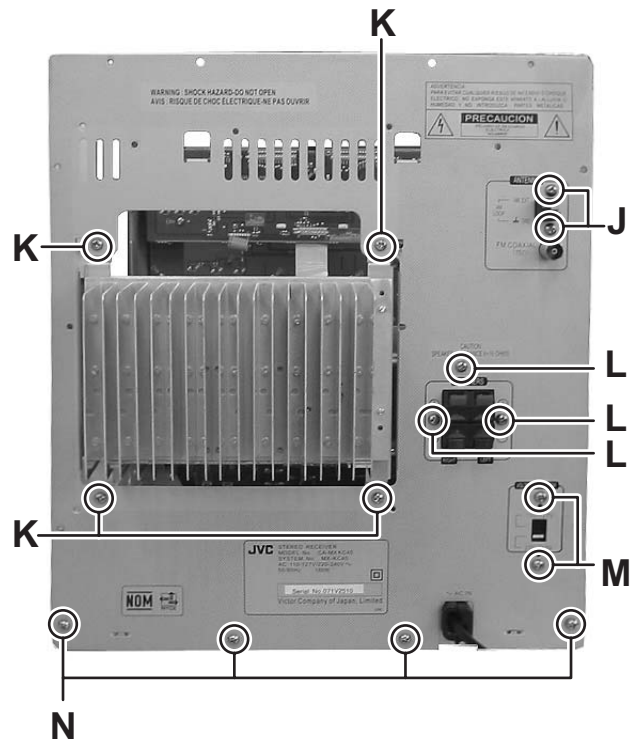
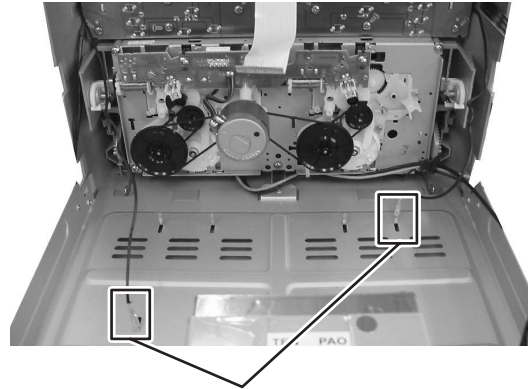


Fig.11

3.1.10 Removing the front panel assembly
(See Fig.3, 4, 12, 13)

- (1) Disconnect the two earth wires from the bottom plate. (See Fig.12)
- (2) Remove the one screw **P** attaching the front panel assembly from bottom side. (See Fig.13)
- (3) Remove the two screws **Q** attaching the front panel assembly from both side of the main body. (See Fig.4)
- (4) Disengage the hook **a** on the both side of the front panel assembly. (See Fig.3)



earth wire

Fig.12



P

Fig.13

3.1.11 Removing the cassette mechanism assembly

(See Fig.14)

- (1) Remove the six screws **R** attaching the cassette mechanism assembly.

3.1.12 Removing the front board

(See Fig.14, 15)

- (1) Remove the seven screws **S** attaching the front board. (See Fig.14)
- (2) Disconnect the connector wire from the connector [CN201](#) of the front board. (See Fig.14)
- (3) Remove the main volume knob.
- (4) Remove the eighteen screws **T** attaching the front board. (See Fig.15)
- (5) Remove the one screws **U** attaching the front board. (See Fig.15)

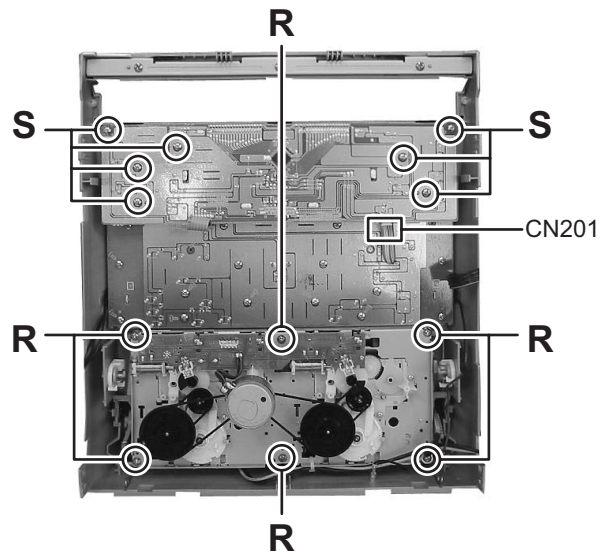


Fig.14

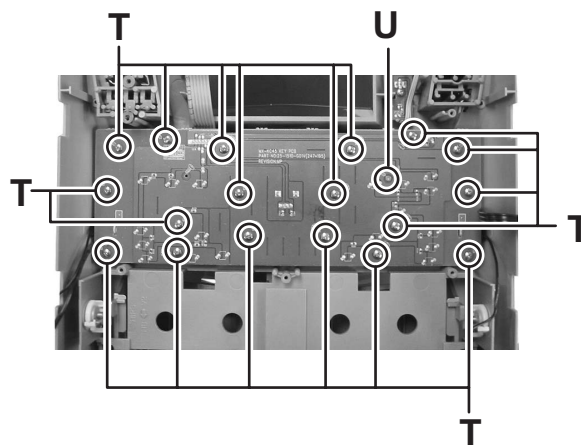


Fig.15

SECTION 4 ADJUSTMENT

This service manual does not describe ADJUSTMENT.

SECTION 5 TROUBLESHOOTING

This service manual does not describe TROUBLESHOOTING.



JVC

Victor Company of Japan, Limited
Audio/Video Systems Category 10-1, 1chome, Ohwatari-machi, Maebashi-city, 371-8543, Japan

(No.MB550)

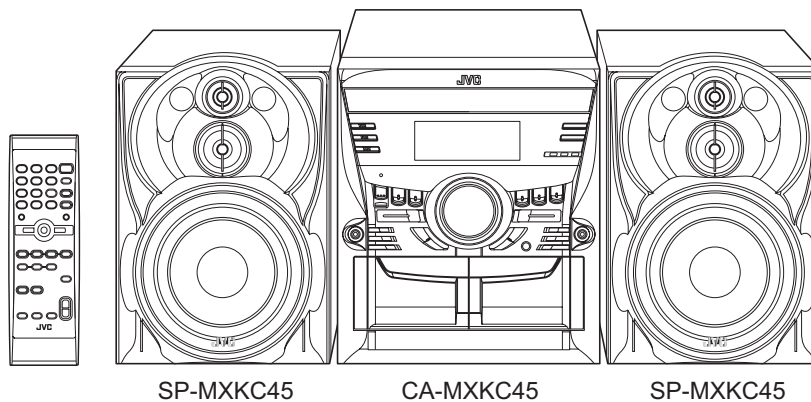
JVC

SCHEMATIC DIAGRAMS

COMPACT COMPONENT SYSTEM

MX-KC45E, MX-KC45EN, MX-KC45A MX-KC45UW, MX-KC45UY, MX-KC45UJ

CD-ROM No.SML200607



COMPACT
disc
DIGITAL AUDIO

MP3
PLAYBACK

Radio Data System

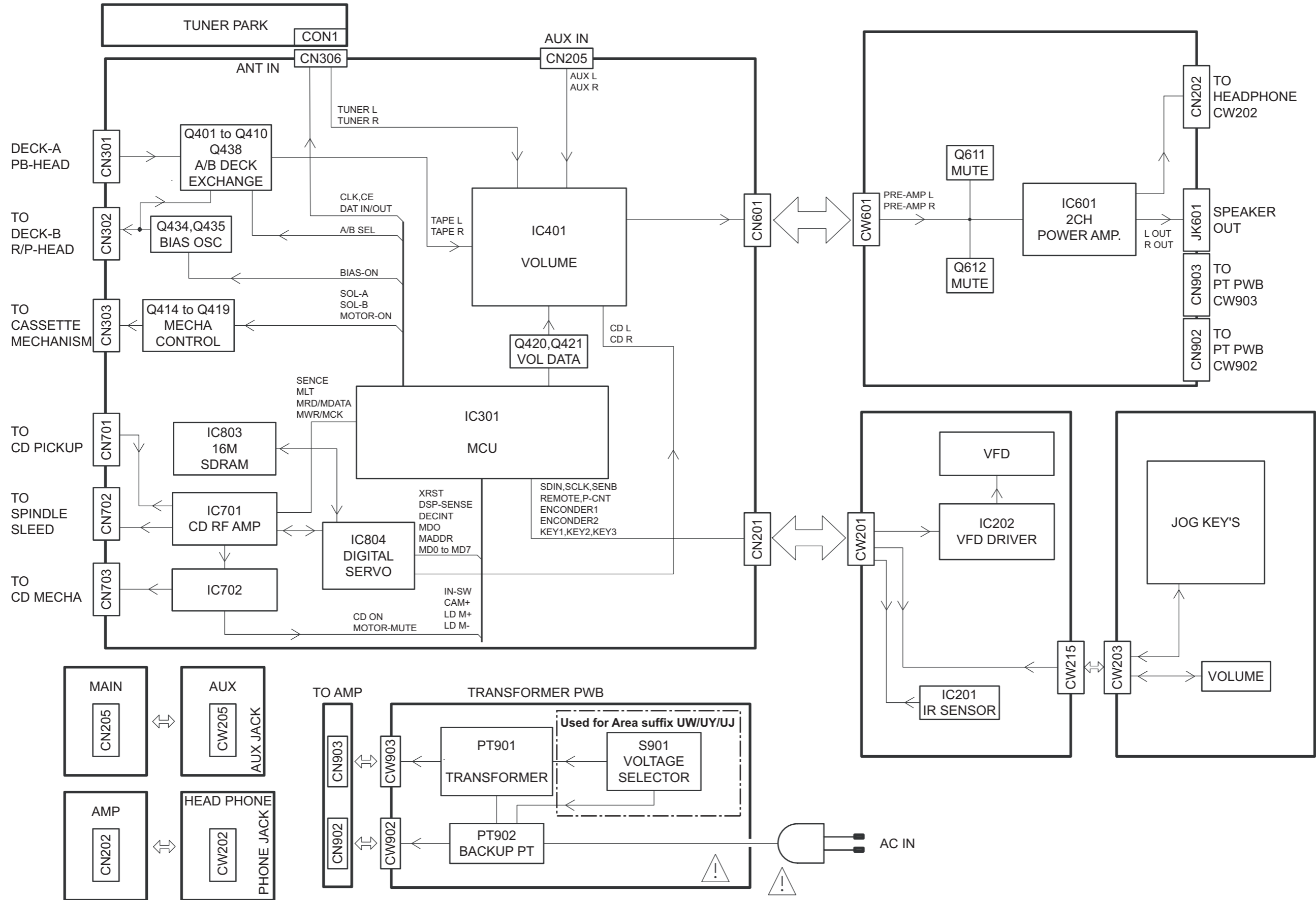
Lead free solder used in the board (material : Sn-Ag-Cu, melting point : 219 Centigrade)

Contents

Block diagrams	2-1
Standard schematic diagrams	2-2
Printed circuit boards	2-17 to 21

In regard with component parts appearing on the silk-screen printed side (parts side) of the PWB diagrams, the parts that are printed over with black such as the resistor (■), diode (▣) and ICP (●) or identified by the "▲" mark nearby are critical for safety.

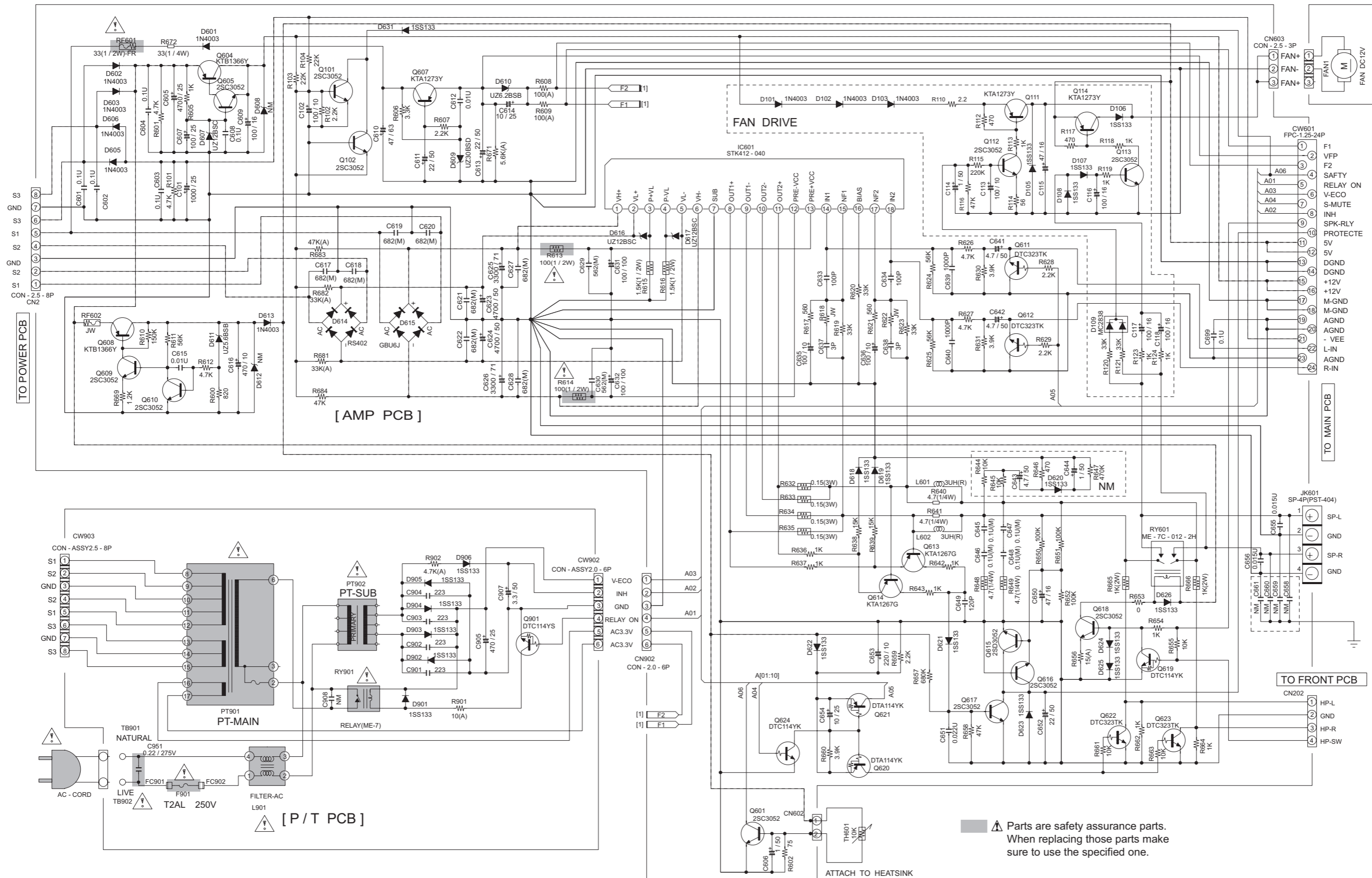
Block diagram



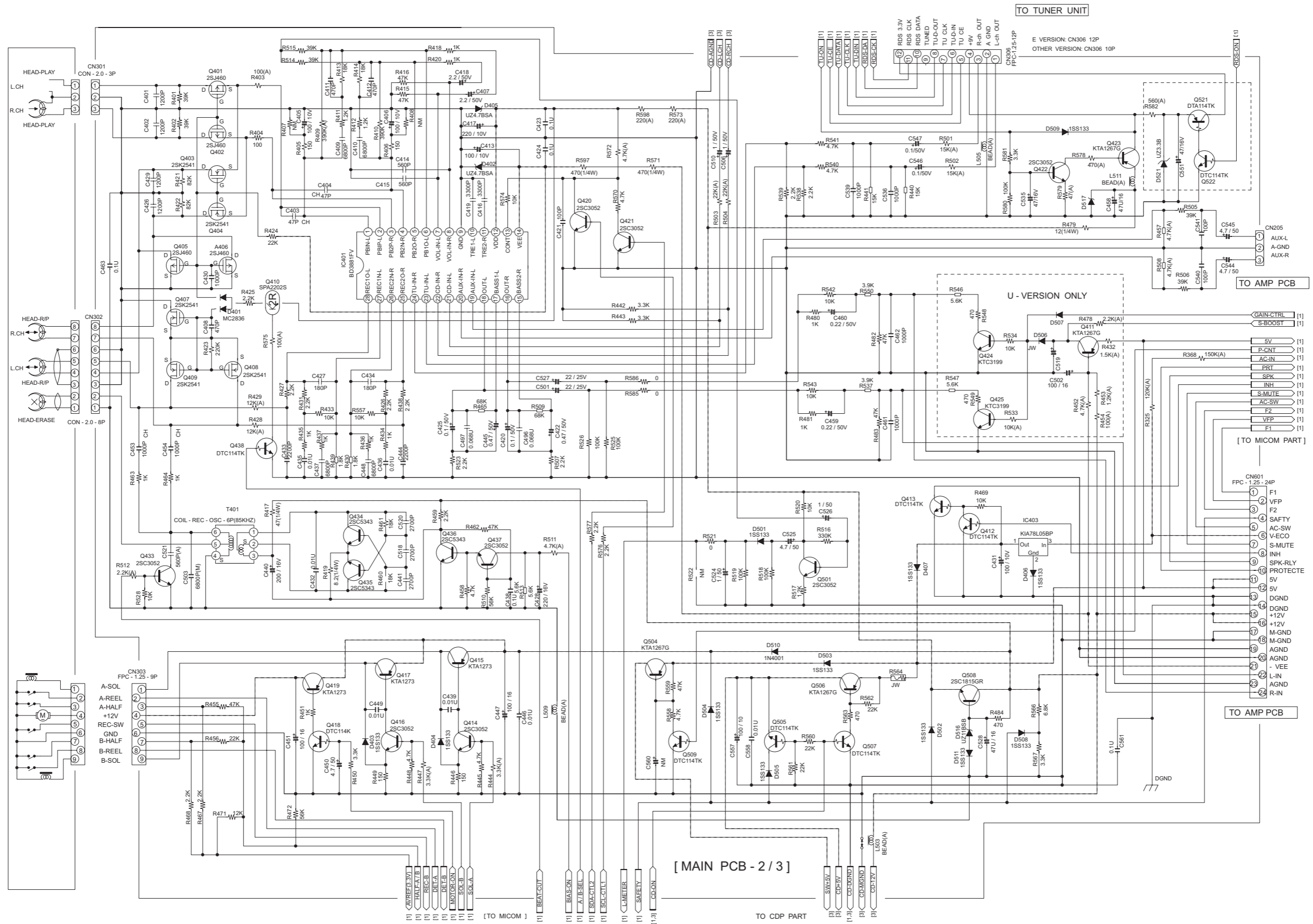
Standard schematic diagrams

Amplifier section

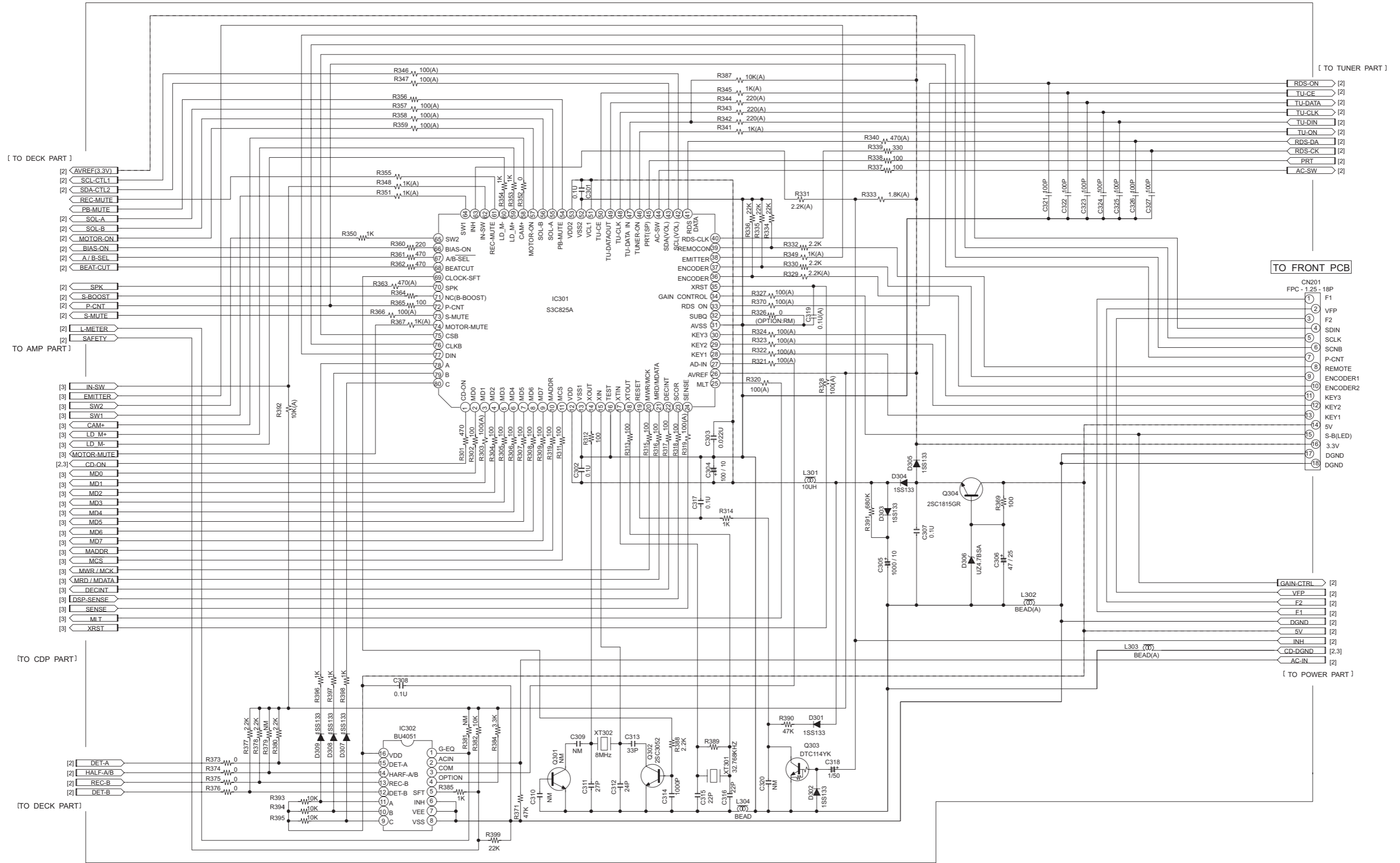
For E,EN version



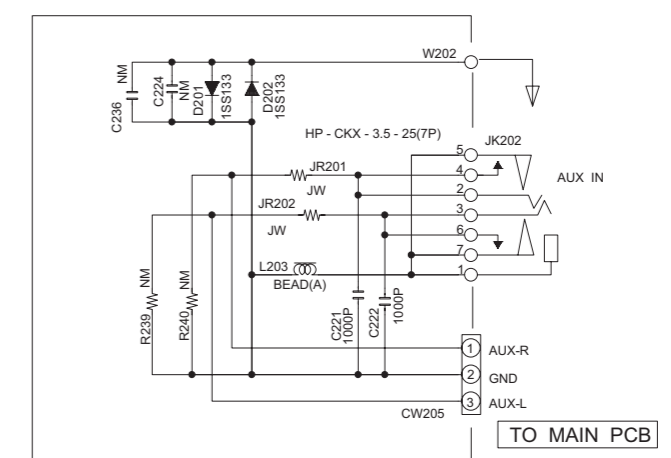
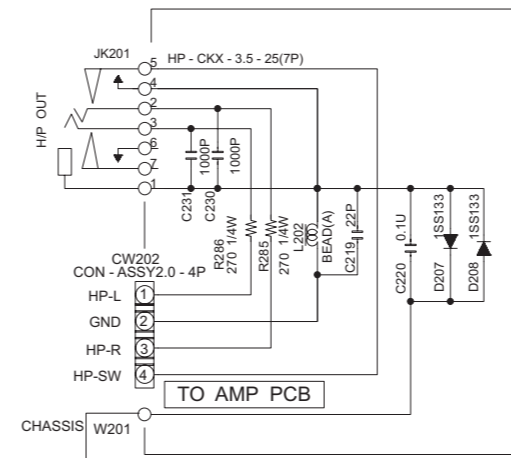
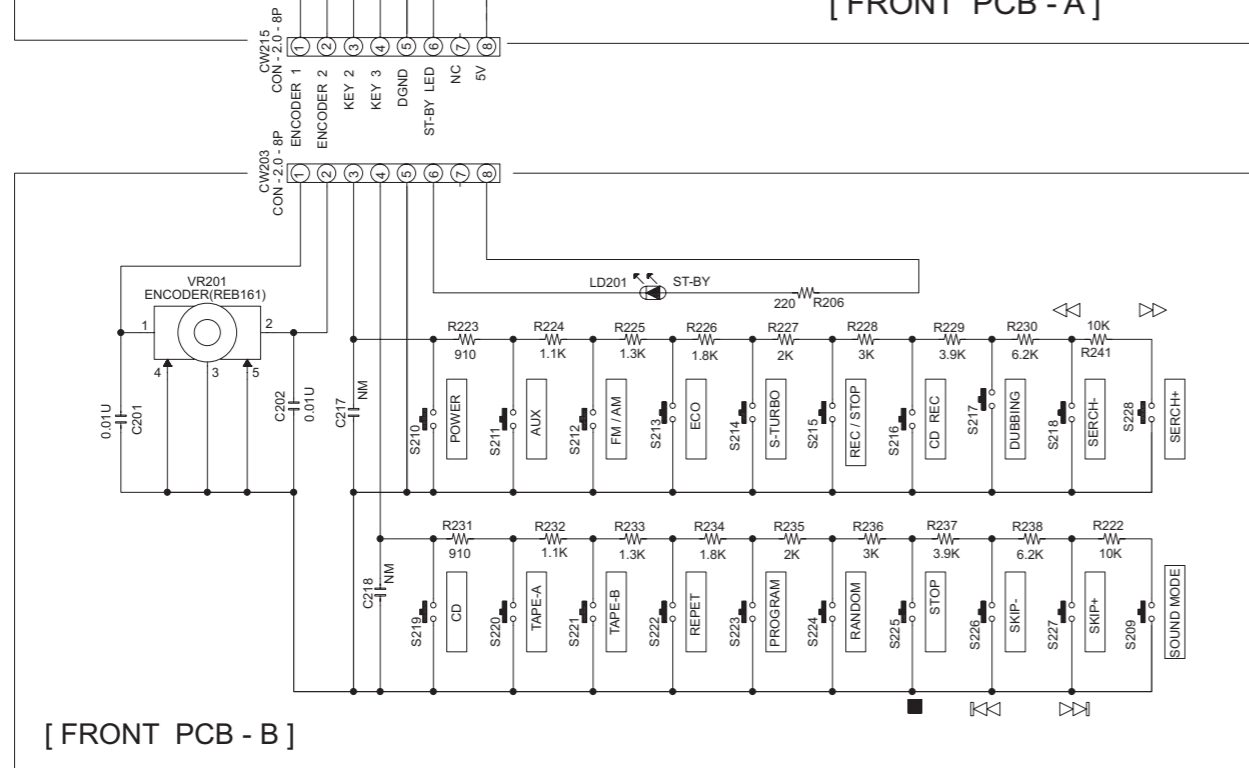
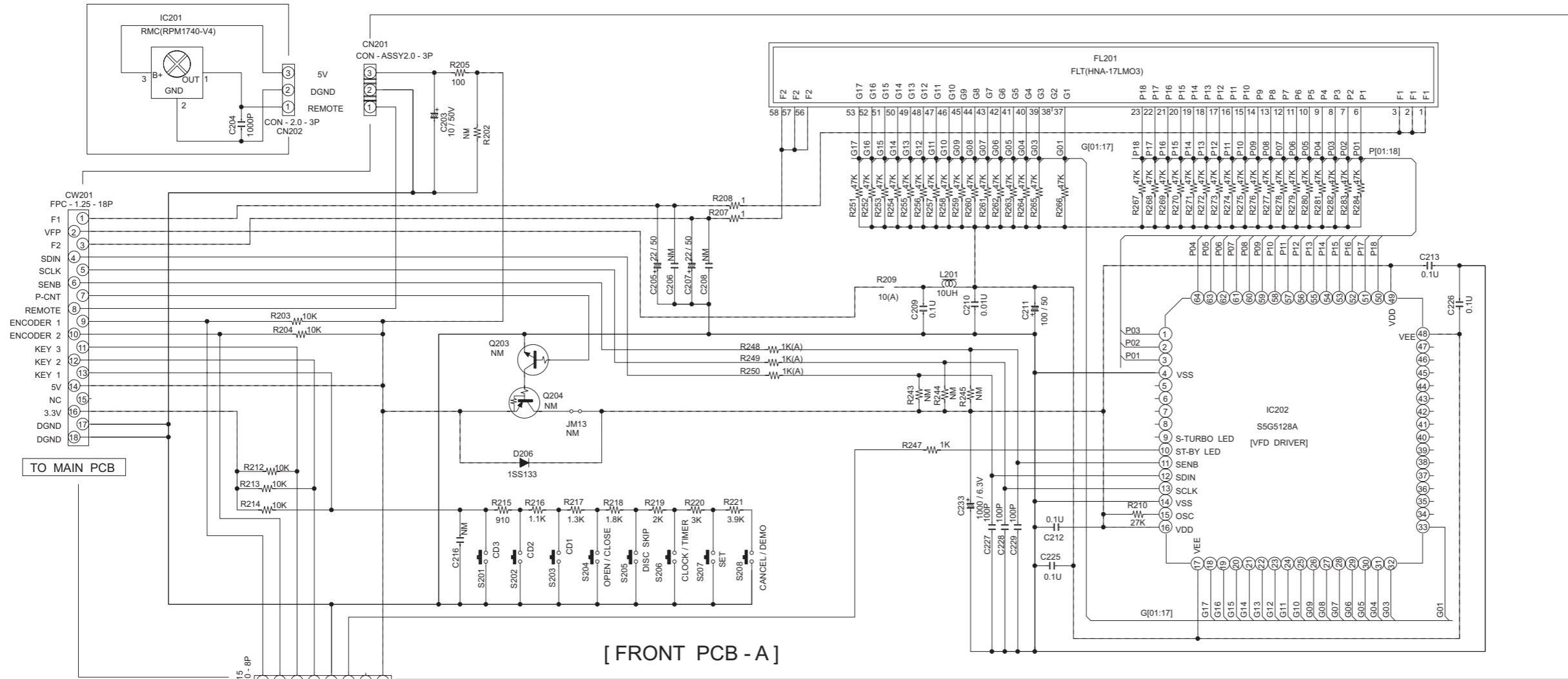
■ Main section



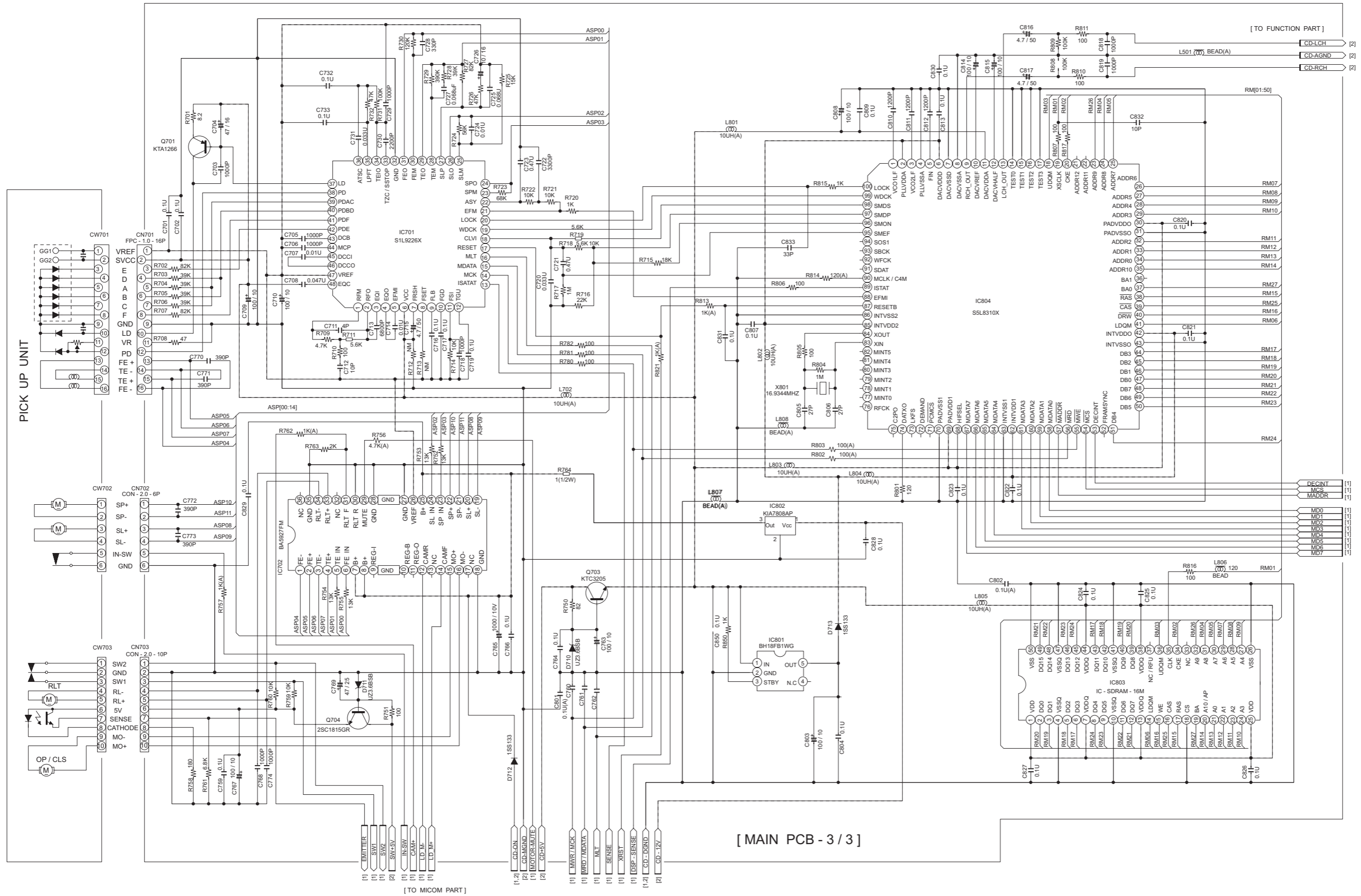
■ Micon section



■ Front section



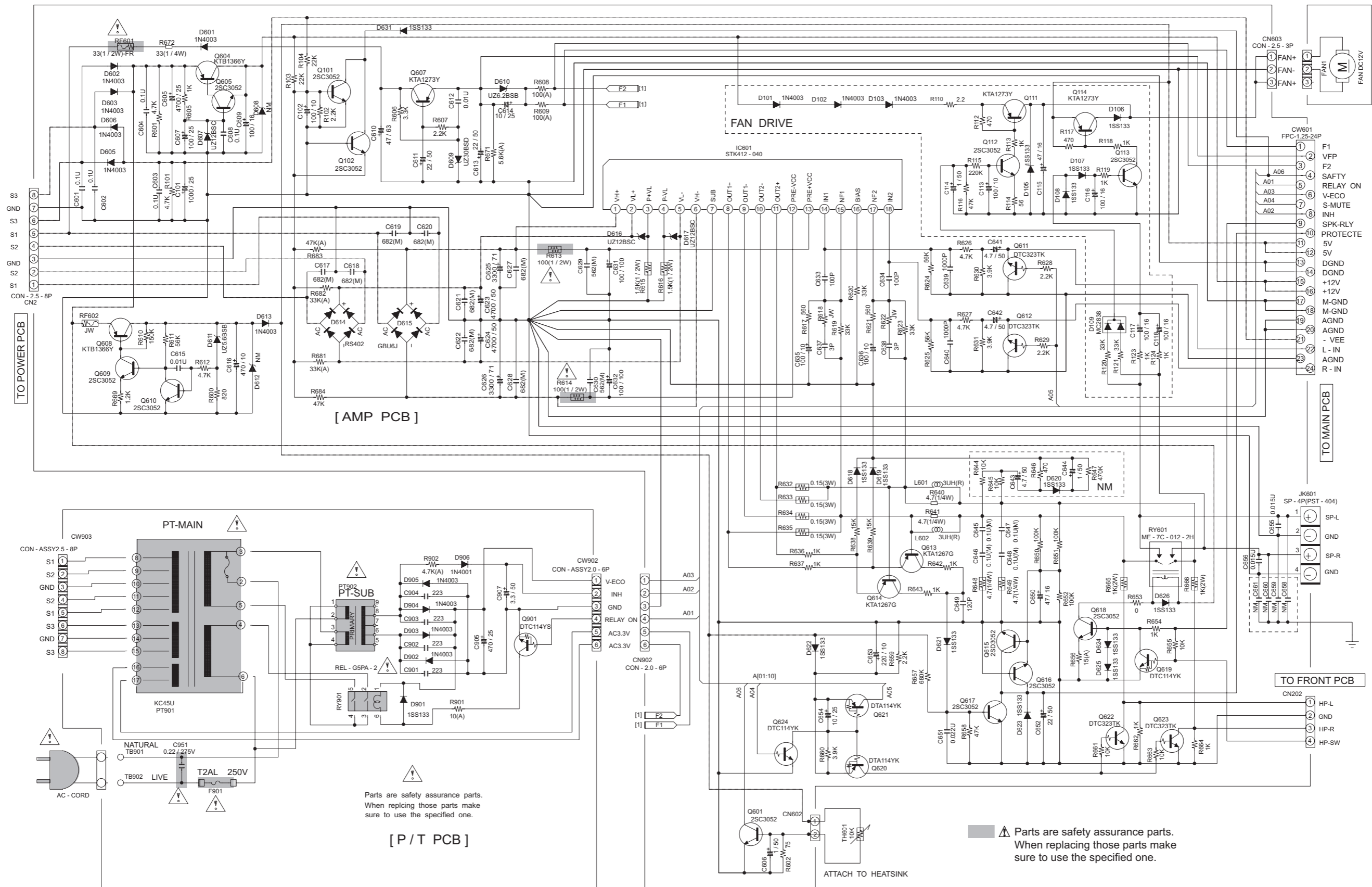
CD section



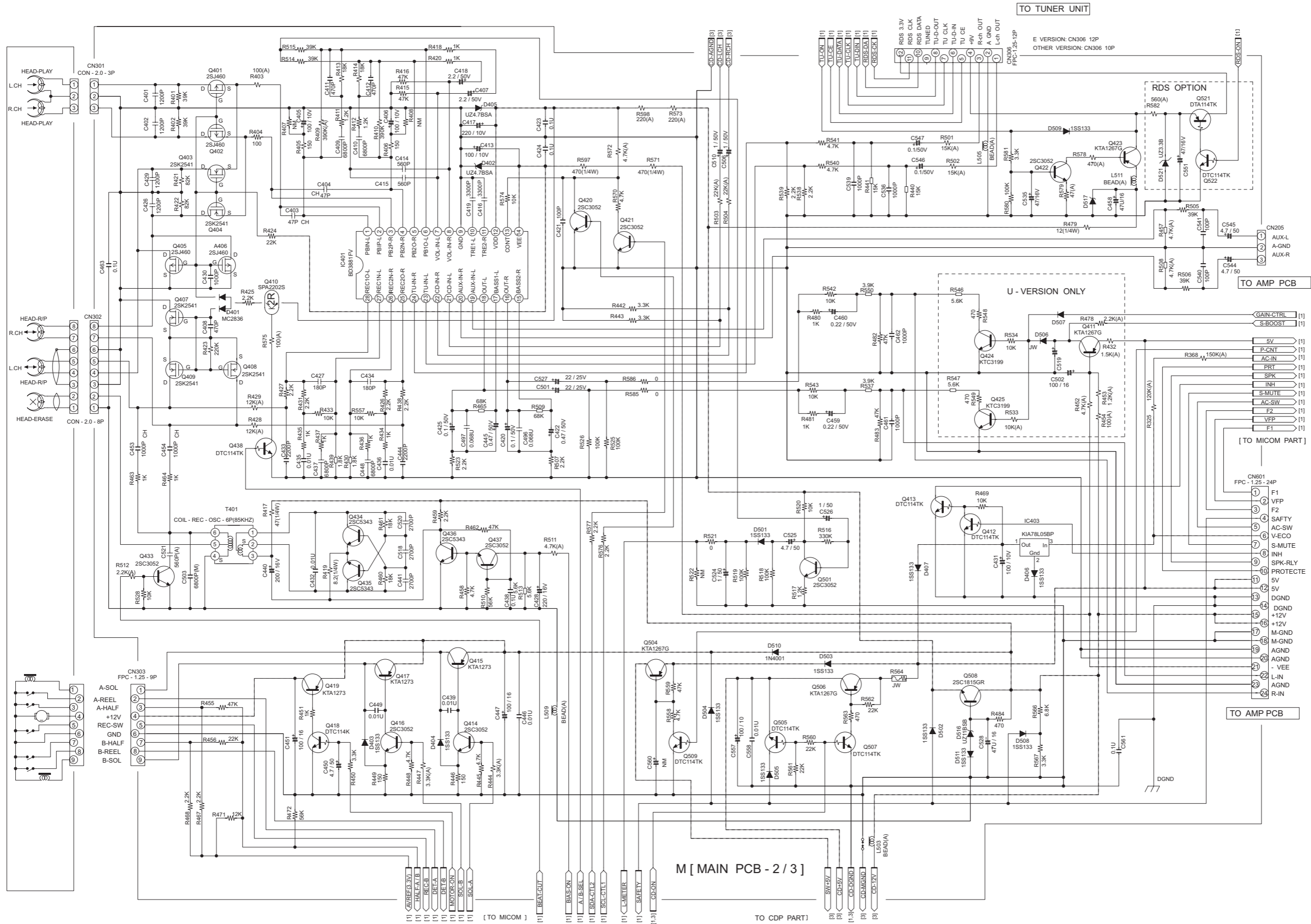
[MAIN PCB - 3 / 3]

For A version

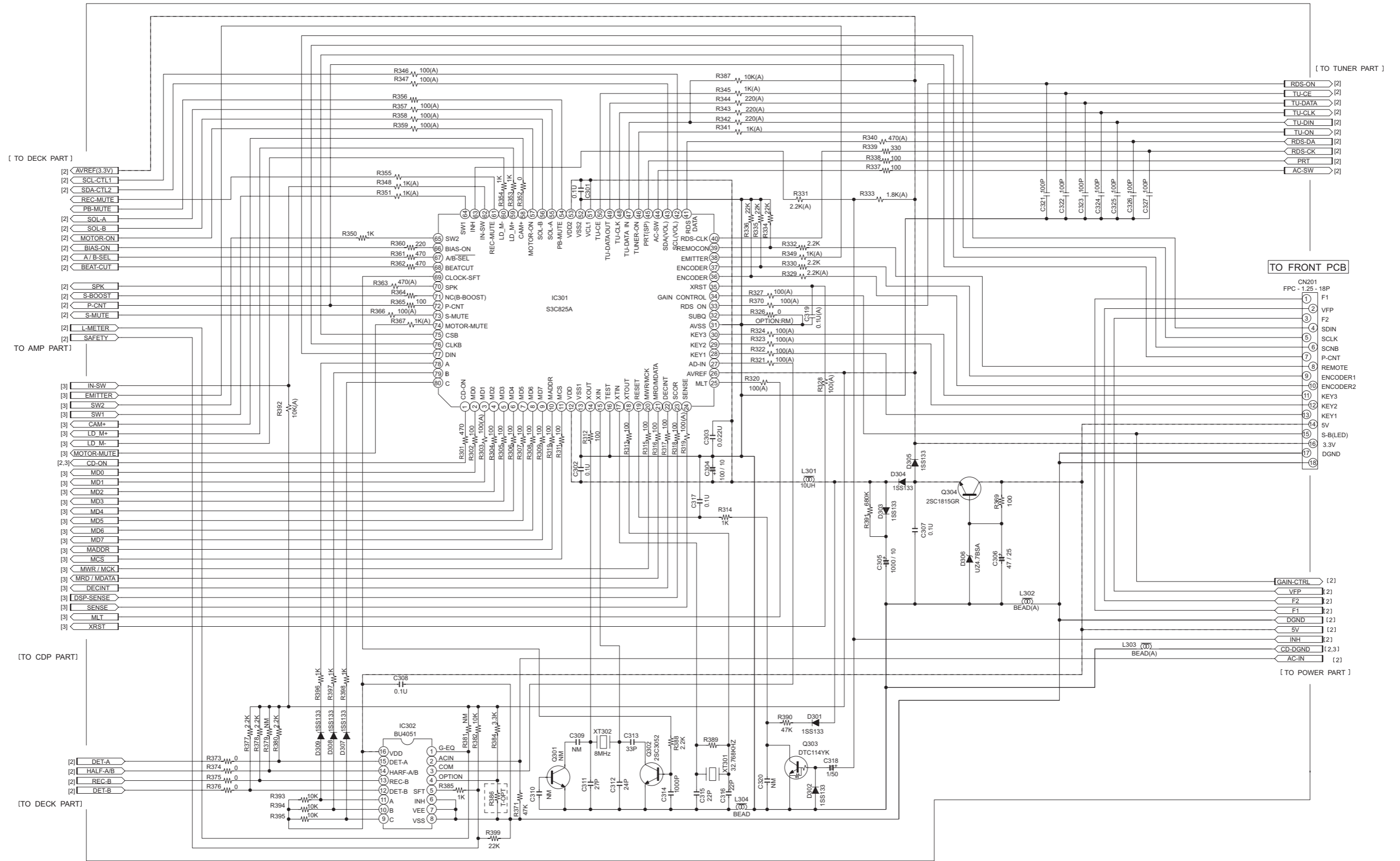
■ Amplifier section



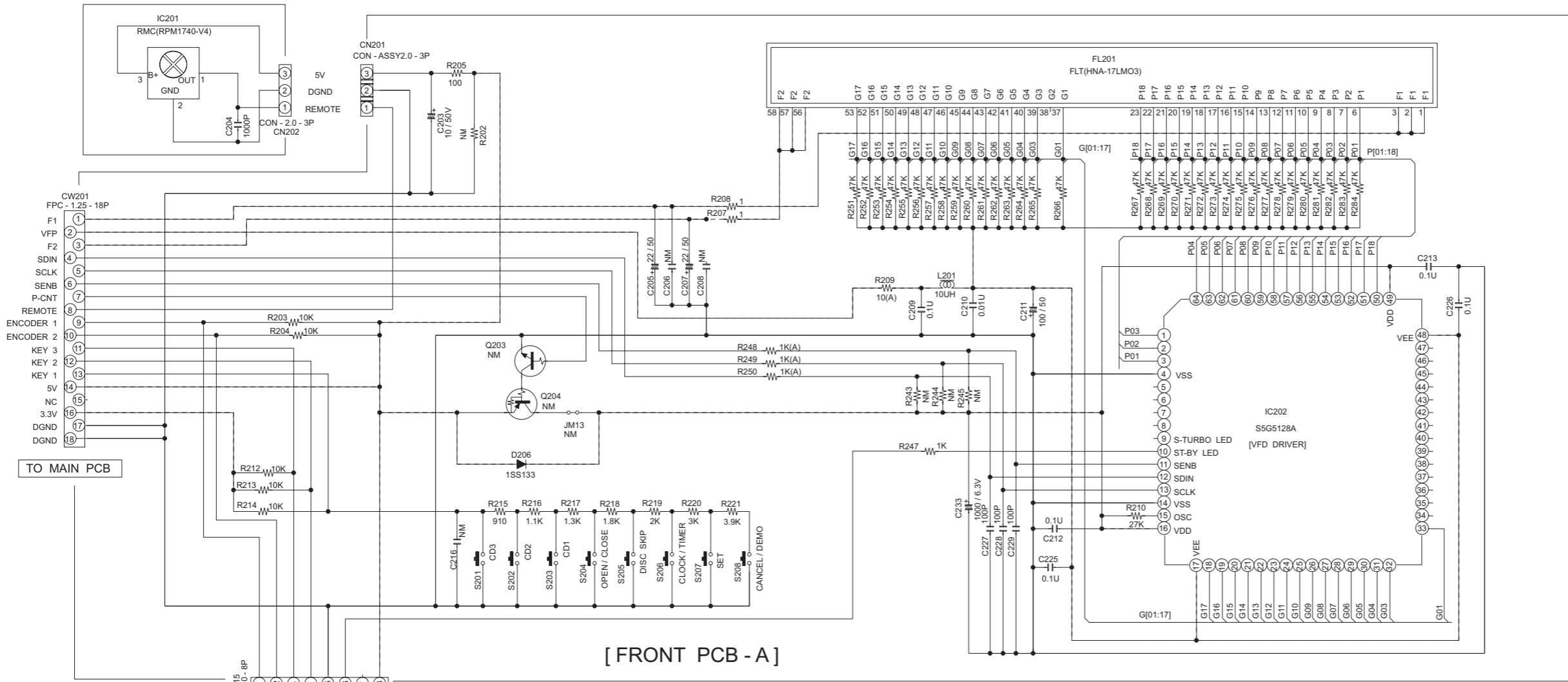
■ Main section



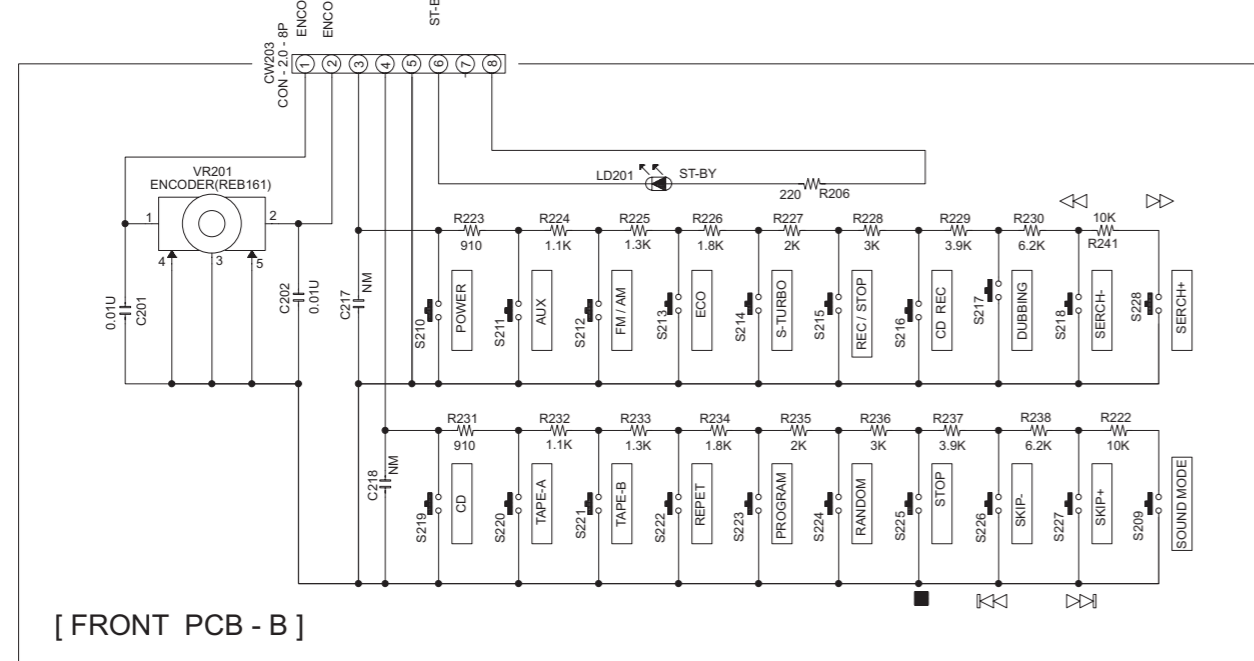
■ Micon section



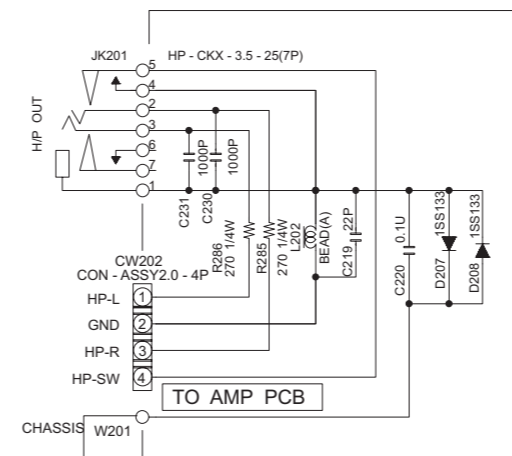
■ Front section



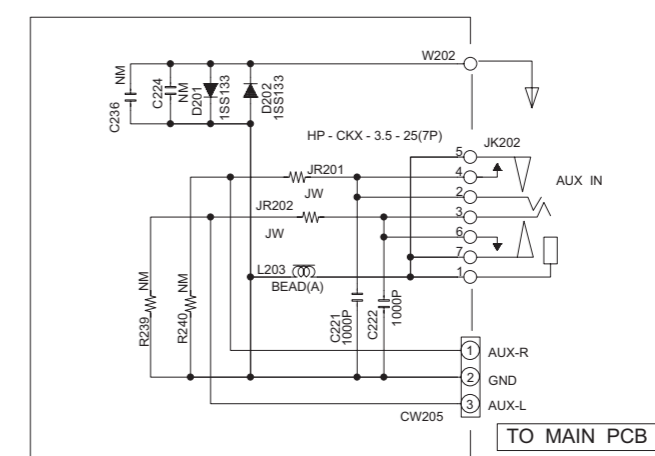
[FRONT PCB - A]



[FRONT PCB - B]

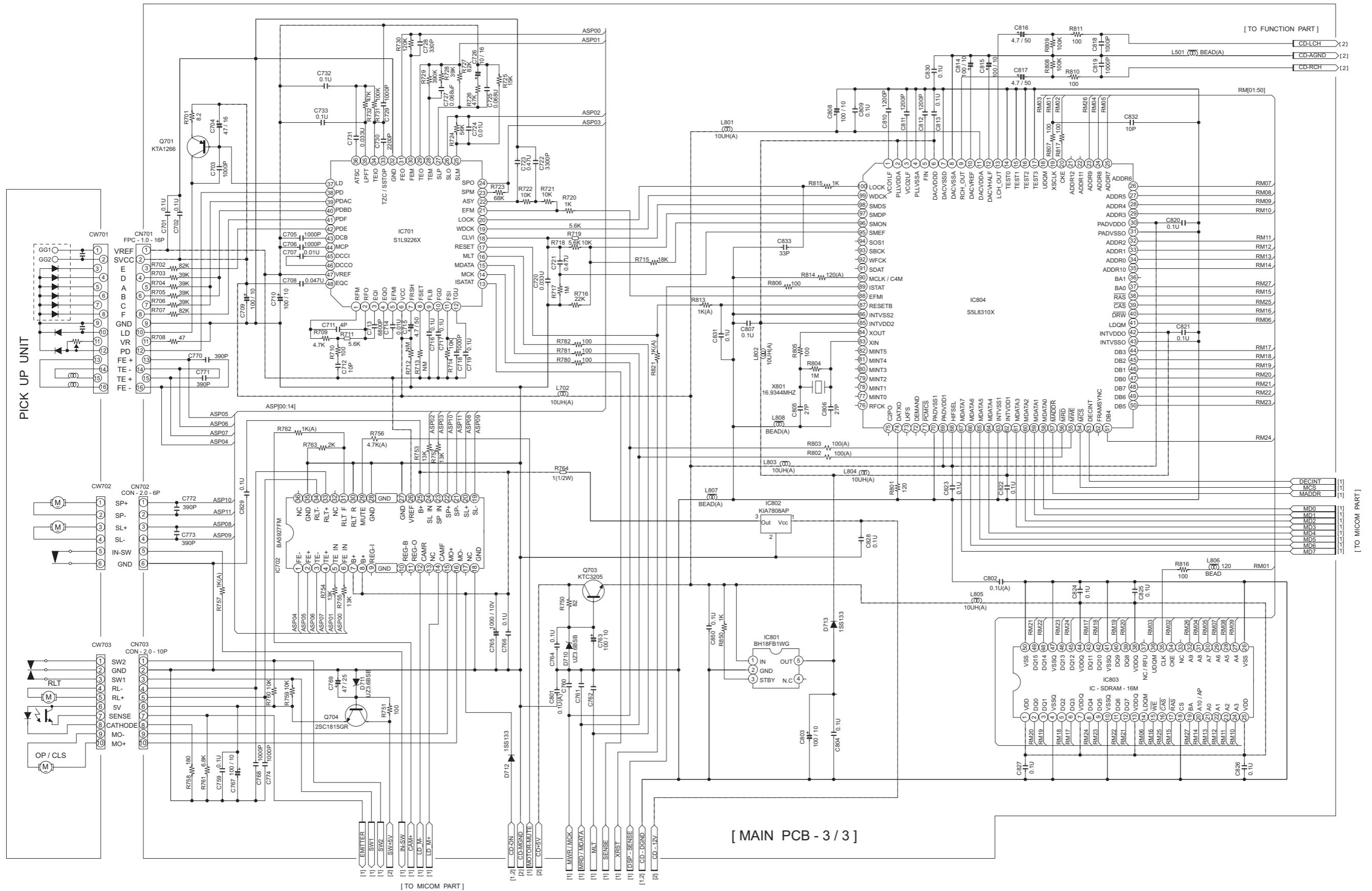


TO AMP PCB



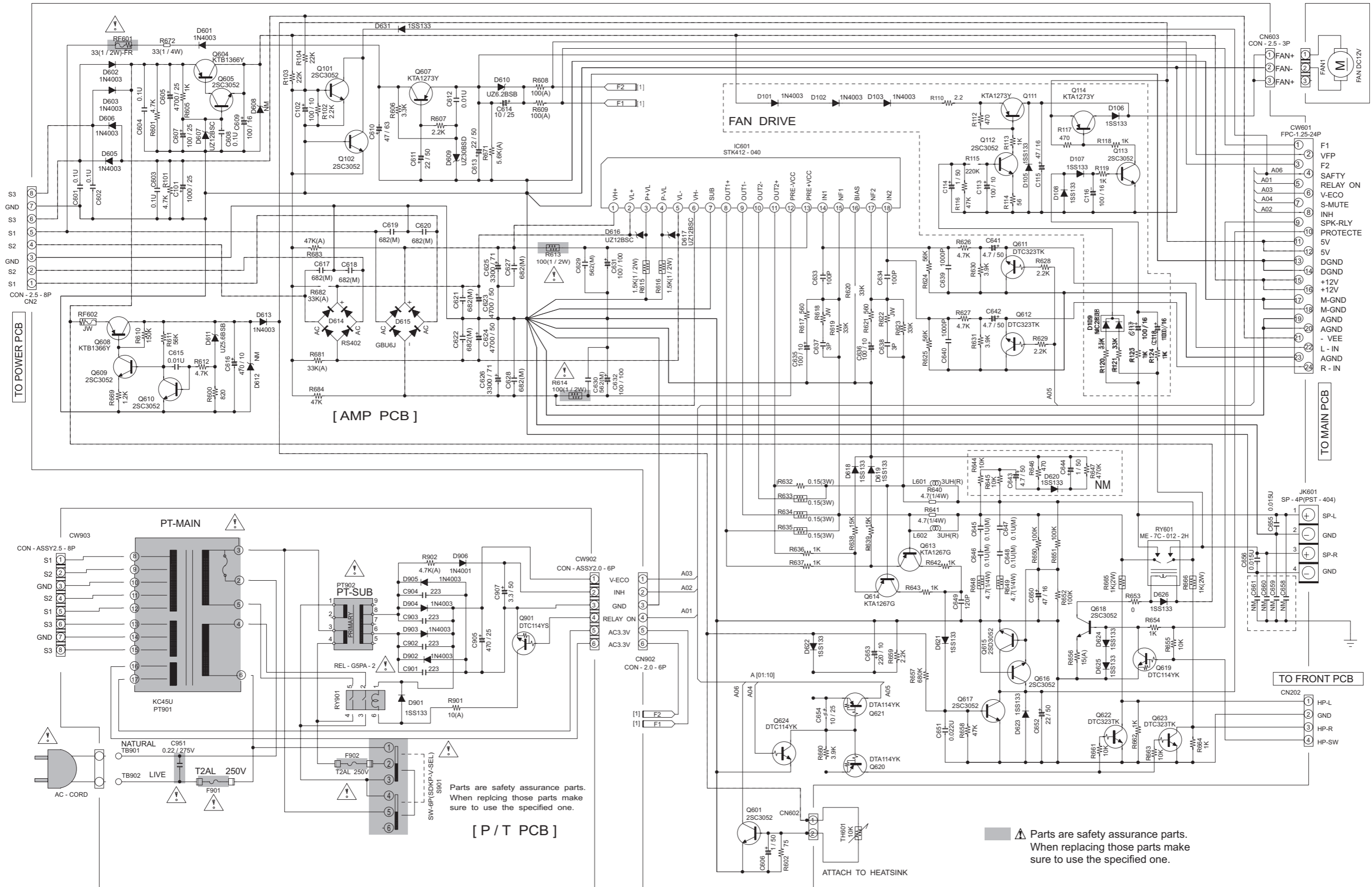
TO MAIN PCB

CD section

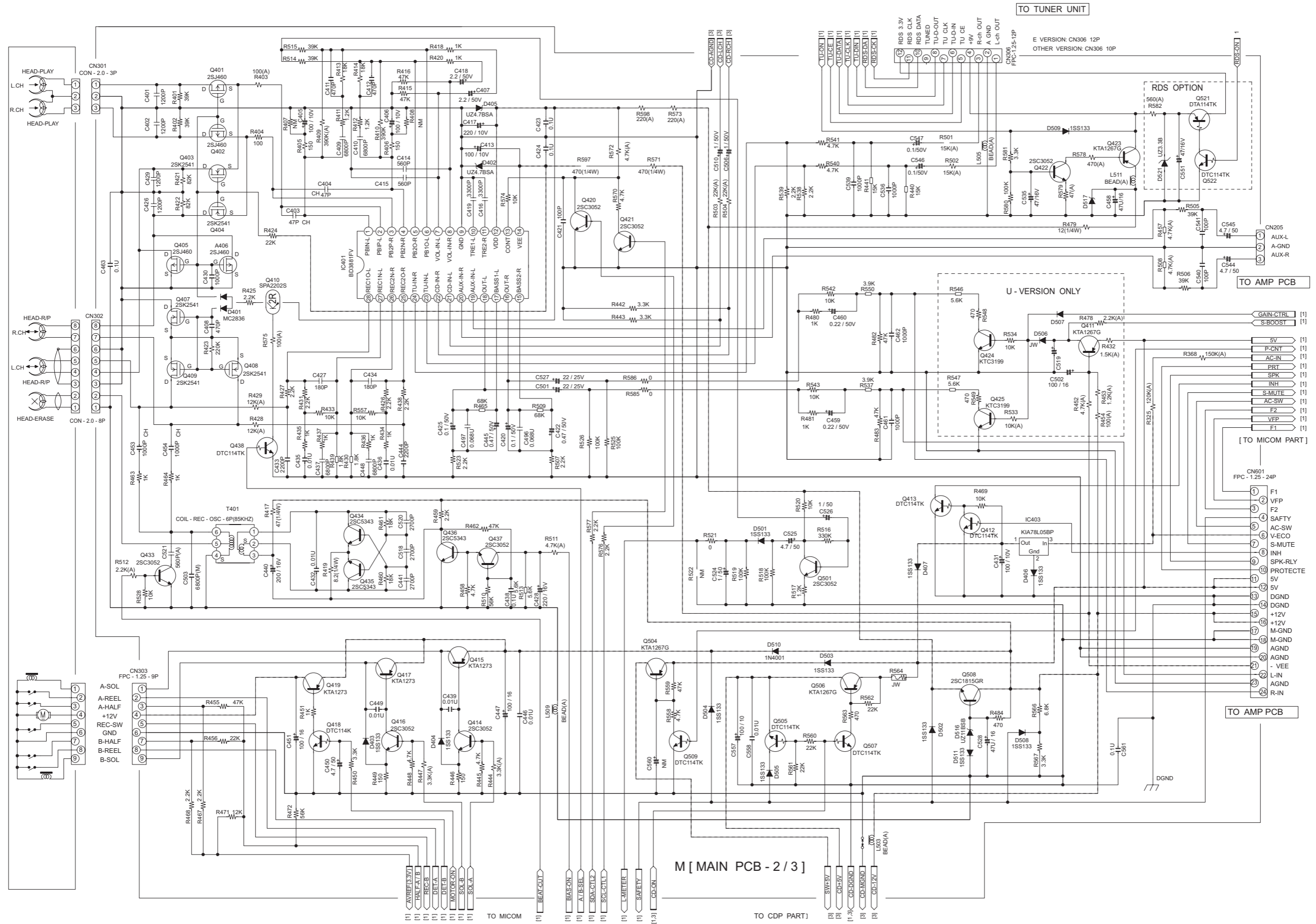


For UW, UY, UJ version

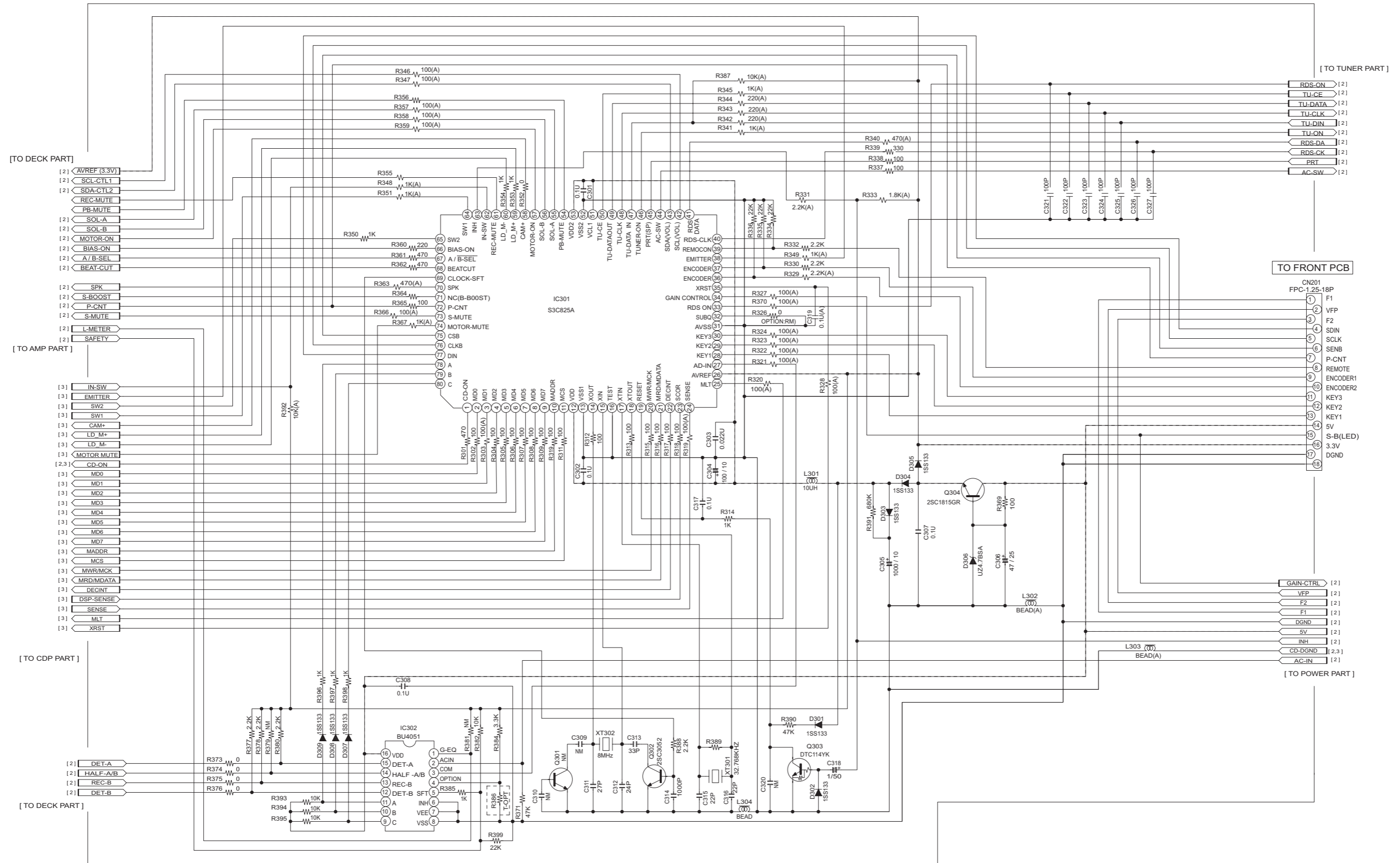
■ Amplifier section



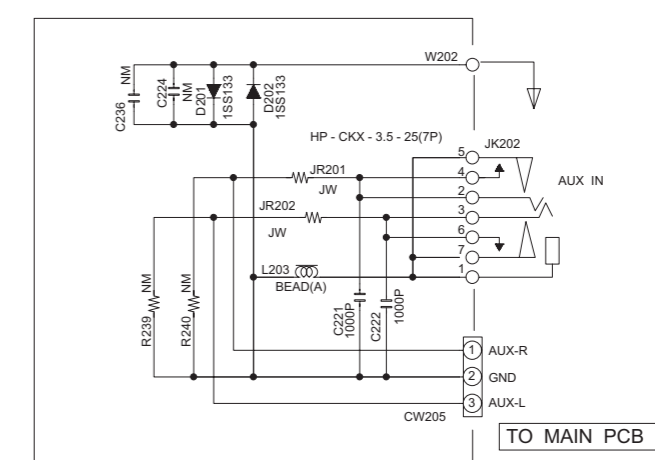
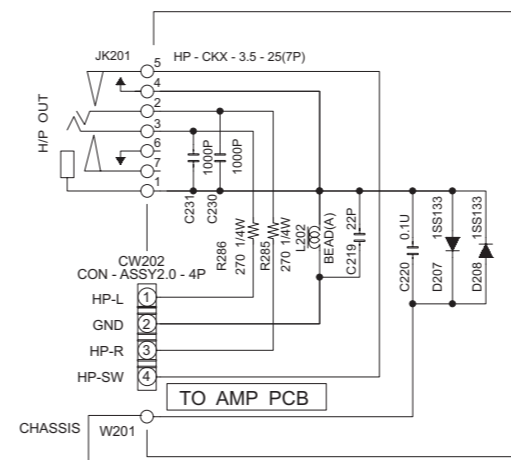
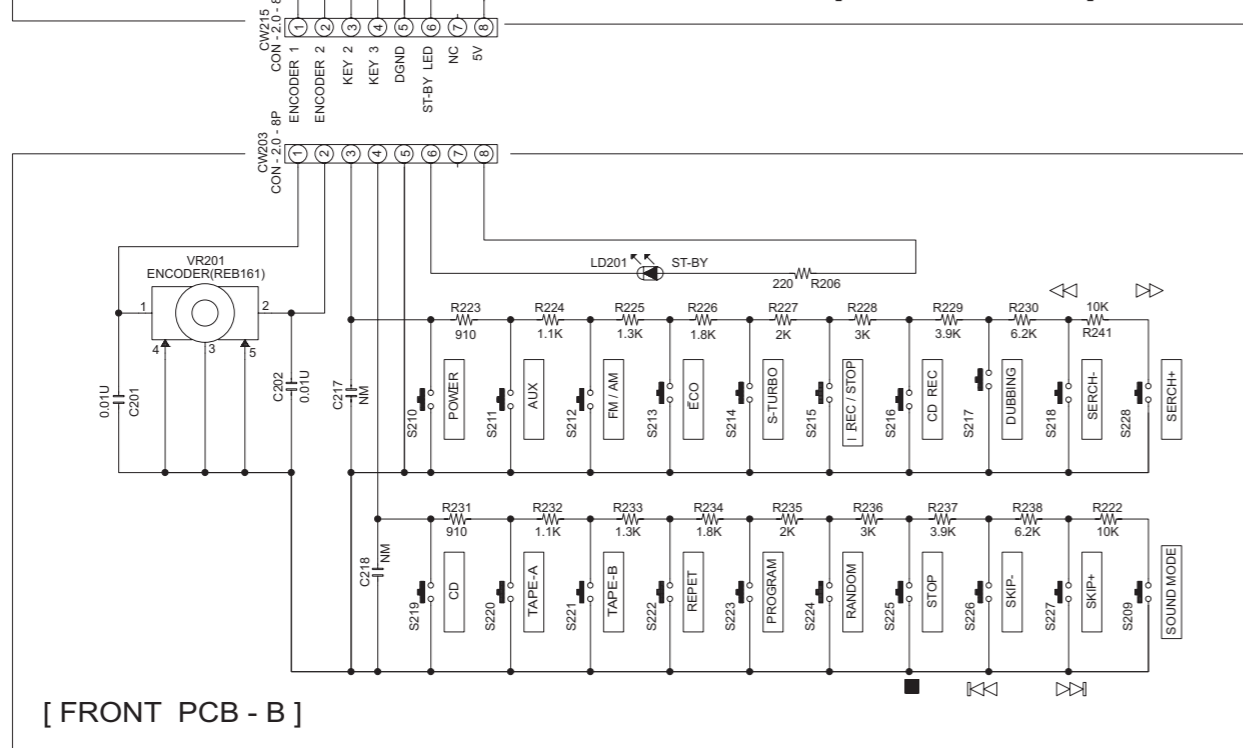
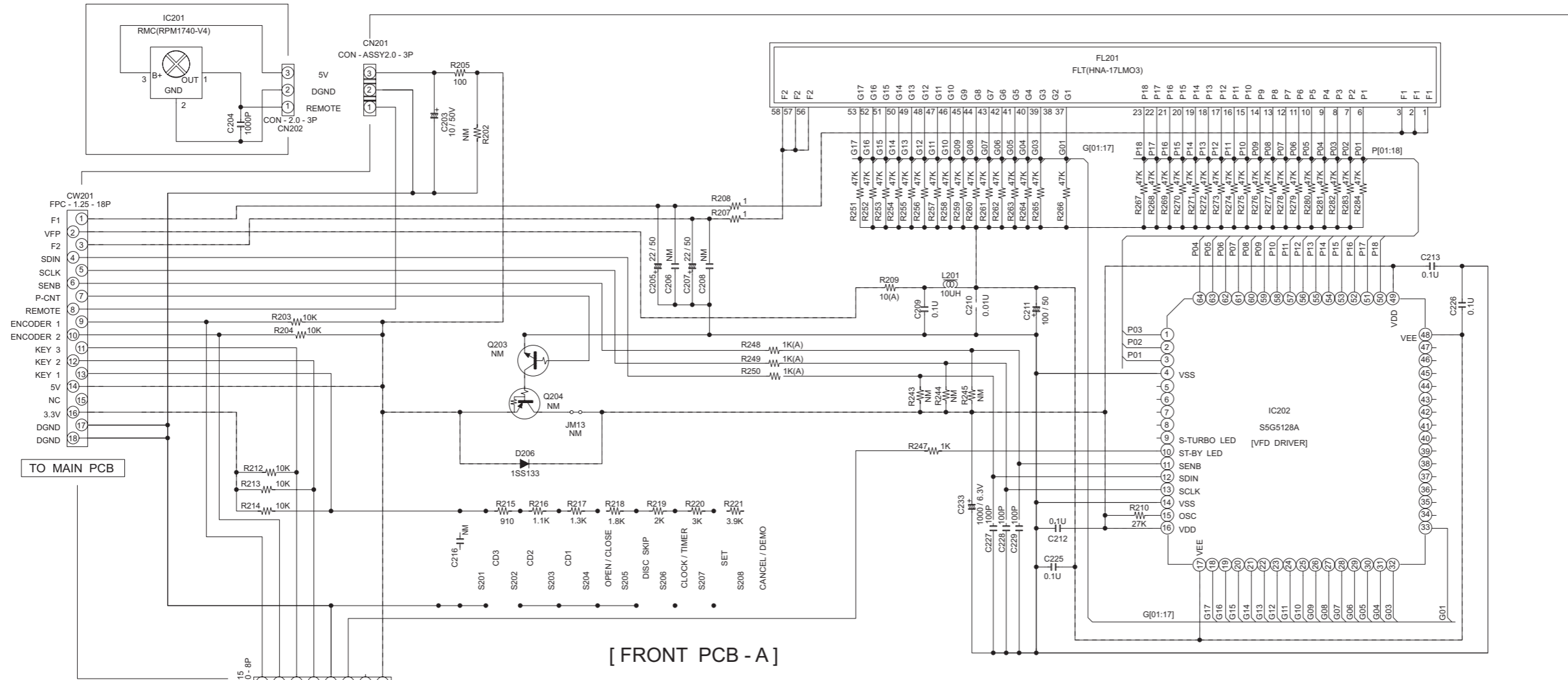
■ Main section



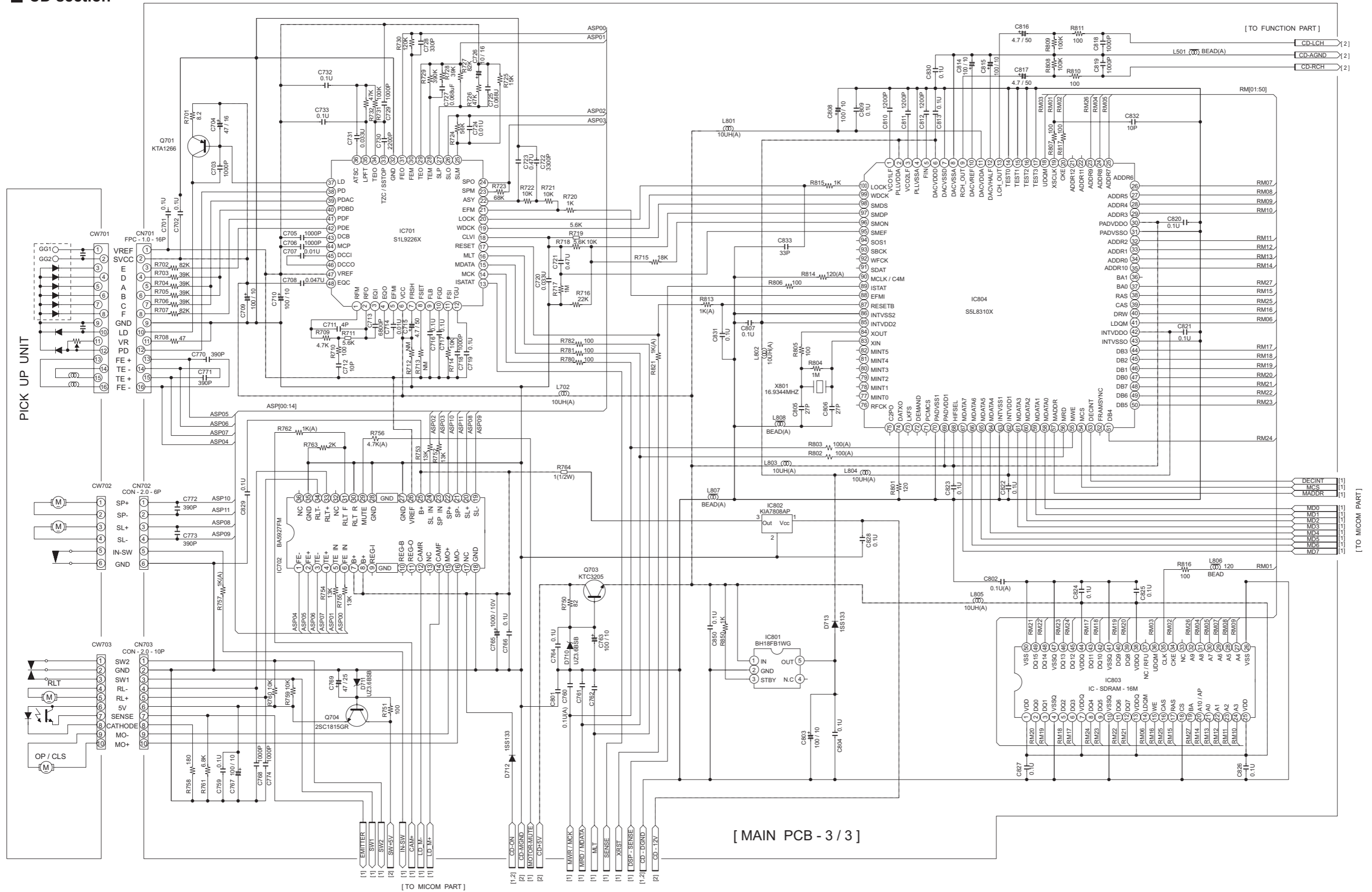
■ Micon section



■ Front section



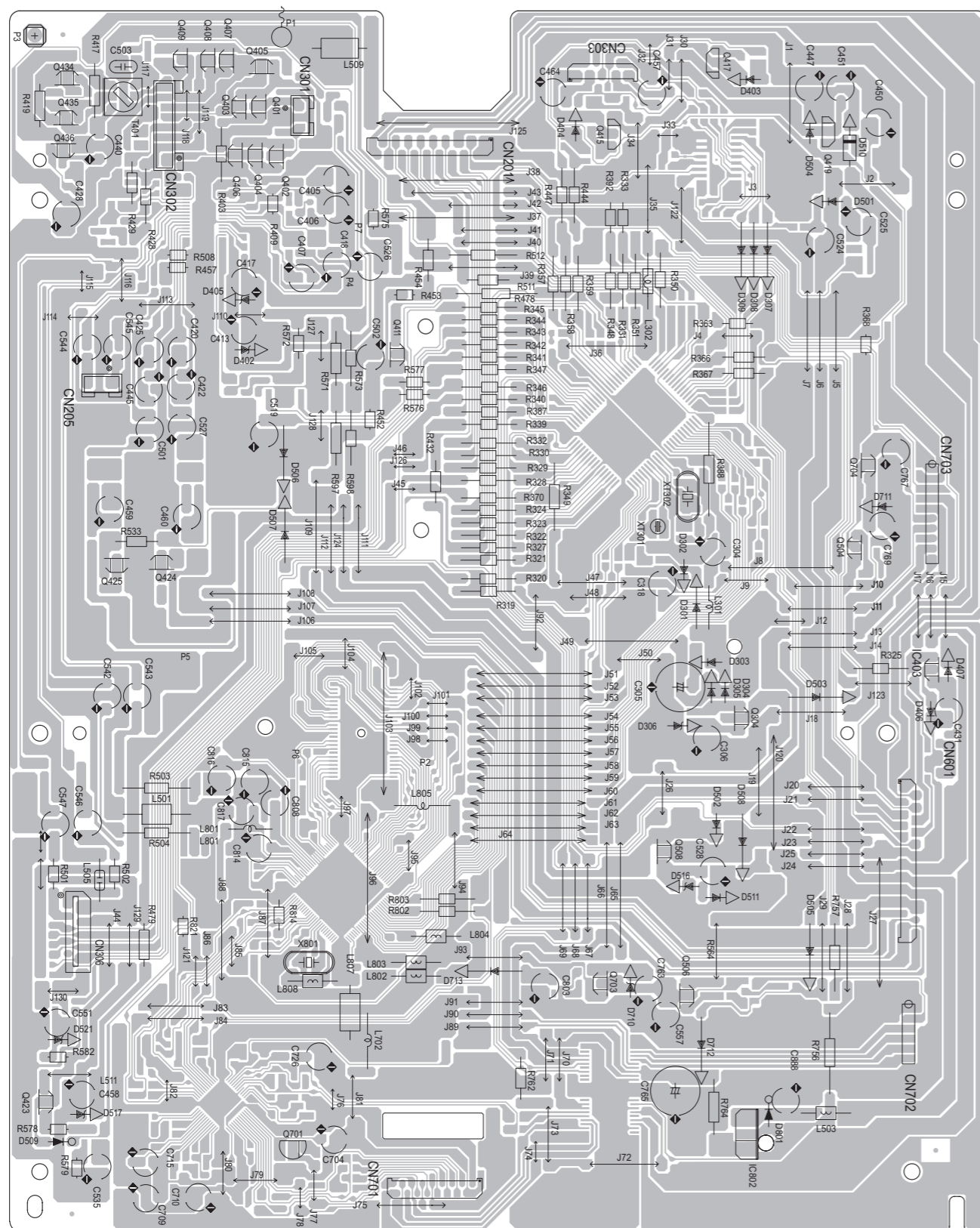
CD section



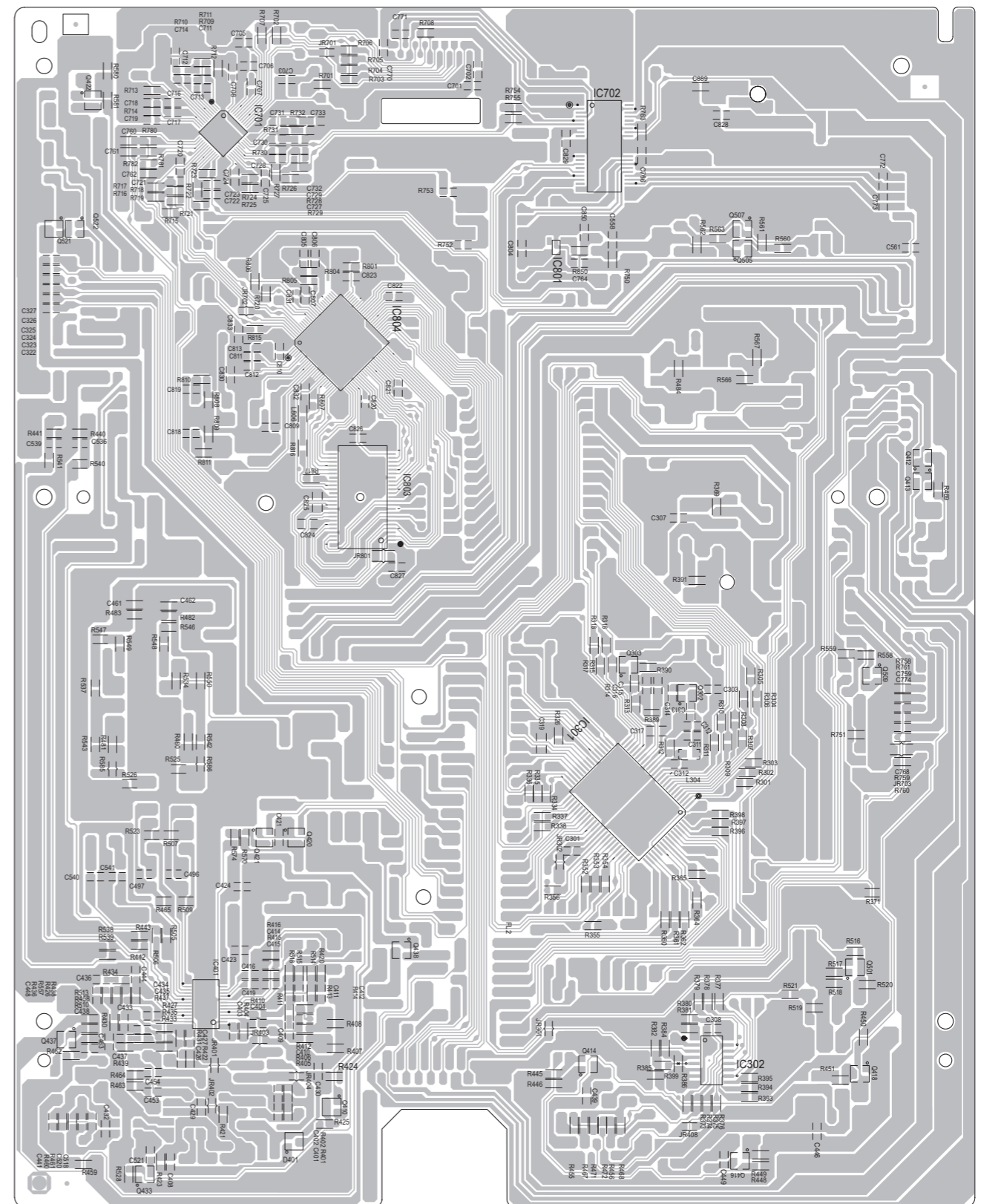
Printed circuit boards

■ Main board Lead free solder used in the board (material : Sn-Ag-Cu, melting point : 219 Centigrade)

forward side

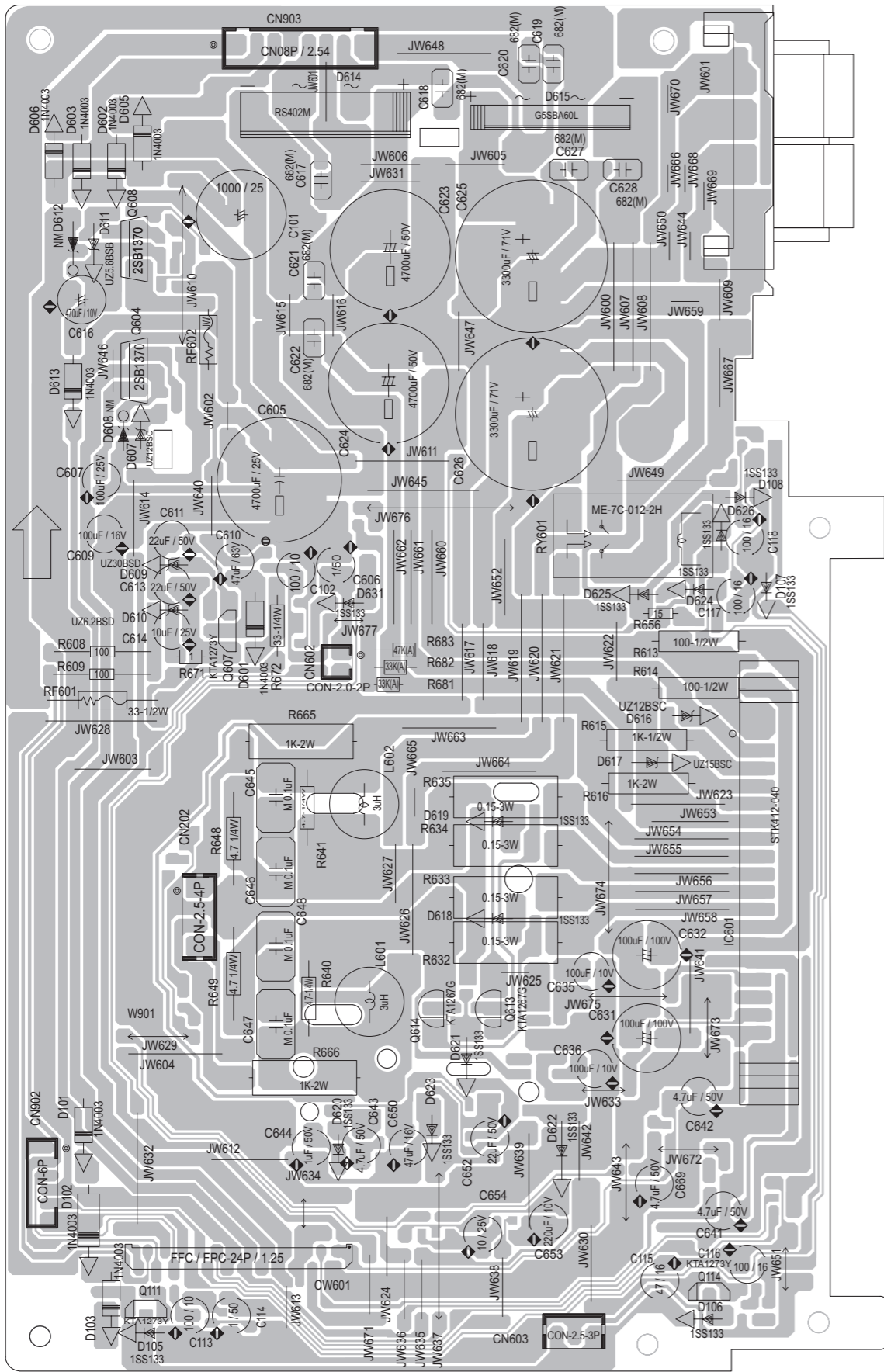


reverse side

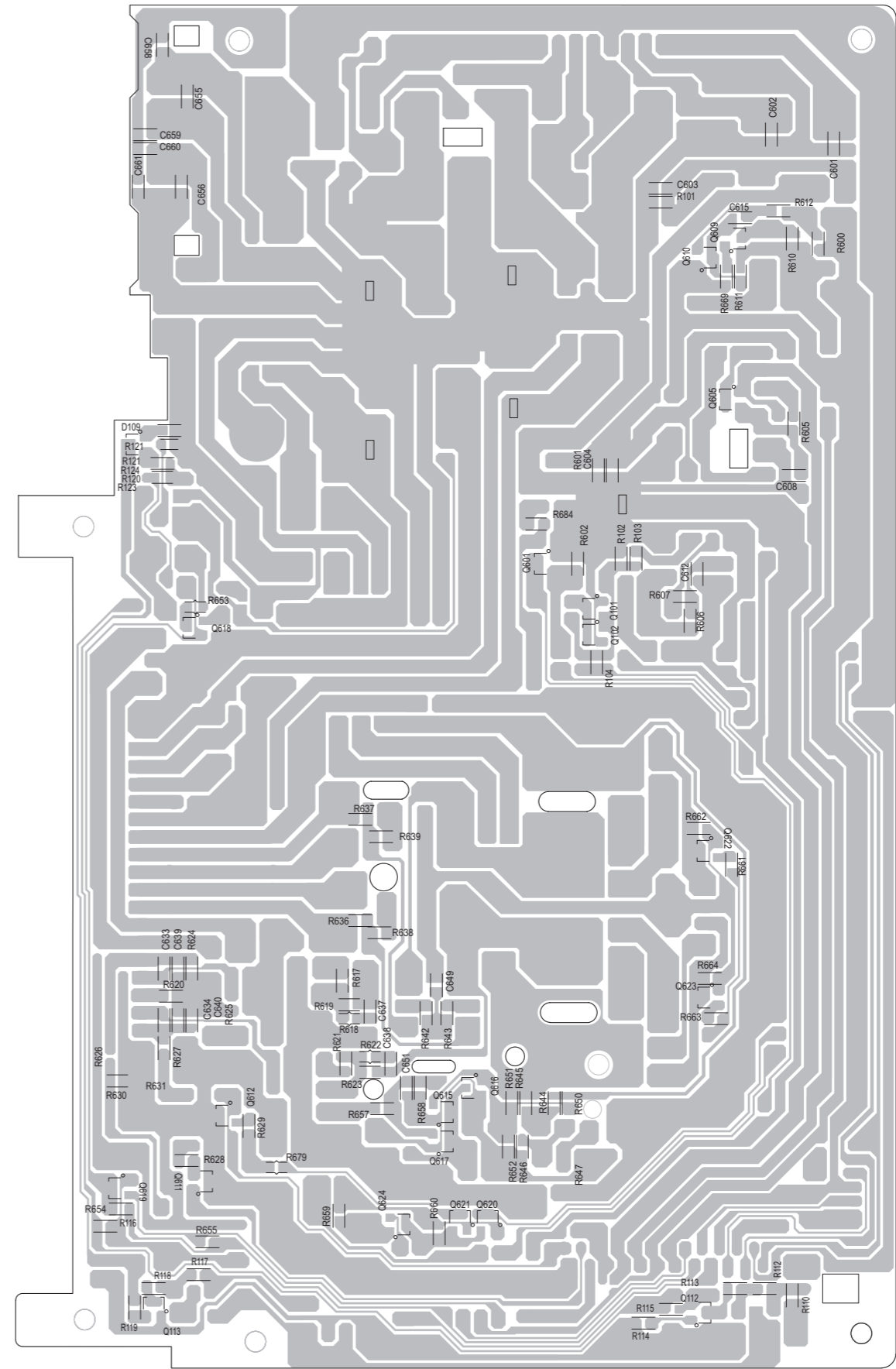


■ **Amplifier board** Lead free solder used in the board (material : Sn-Ag-Cu, melting point : 219 Centigrade)

forward side

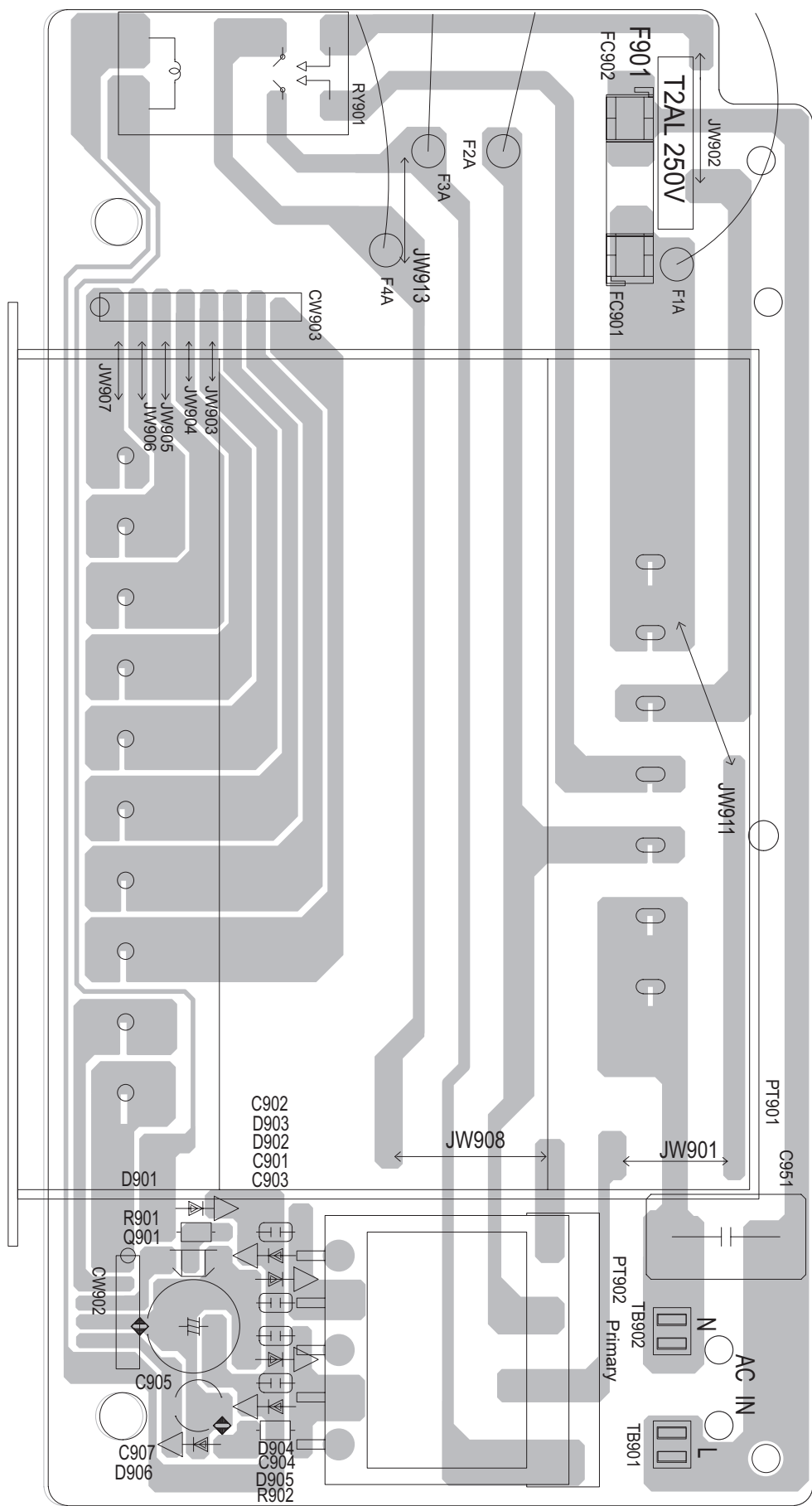


reverse side



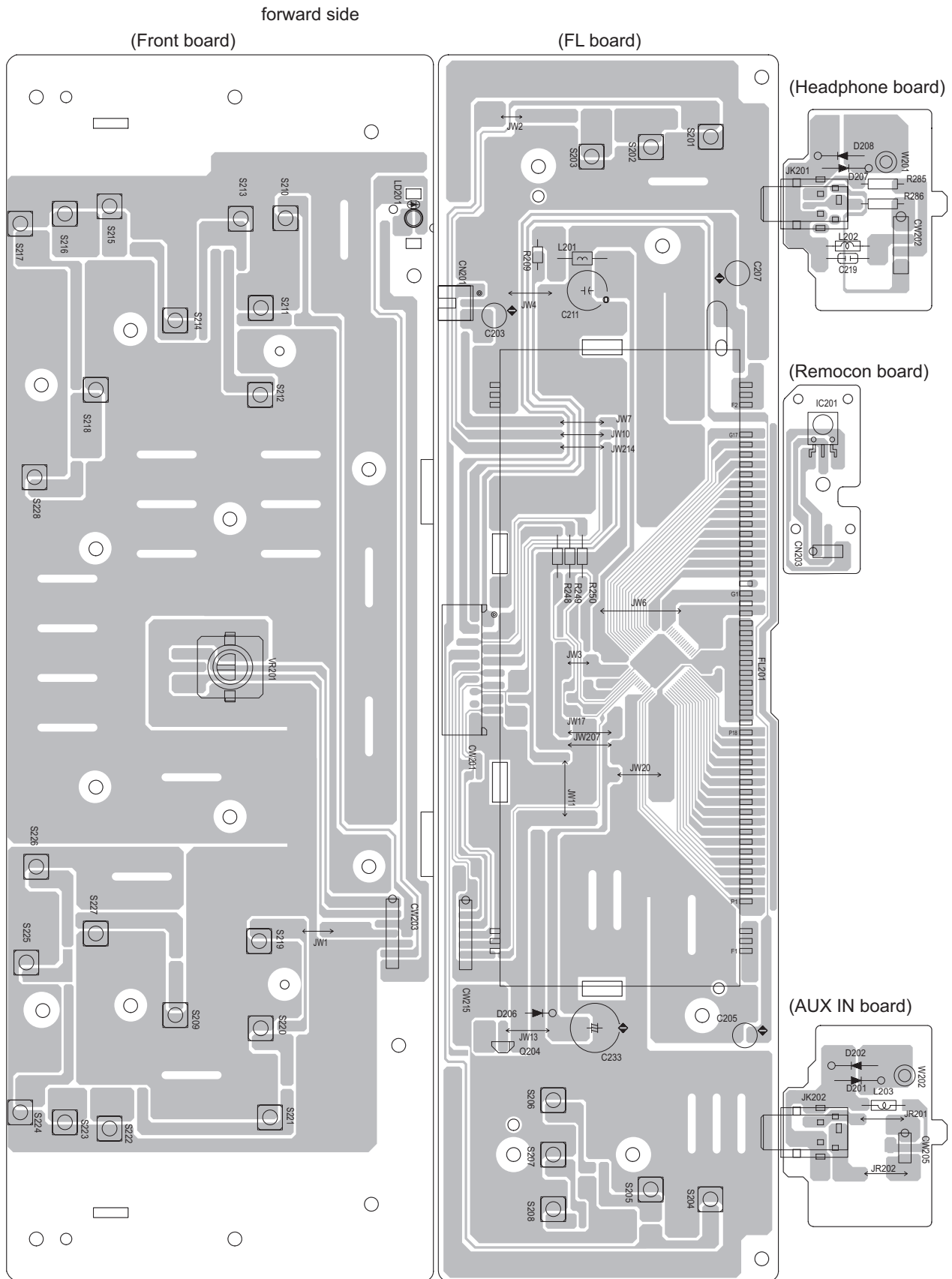
■ Trans board

Lead free solder used in the board (material : Sn-Ag-Cu, melting point : 219 Centigrade)



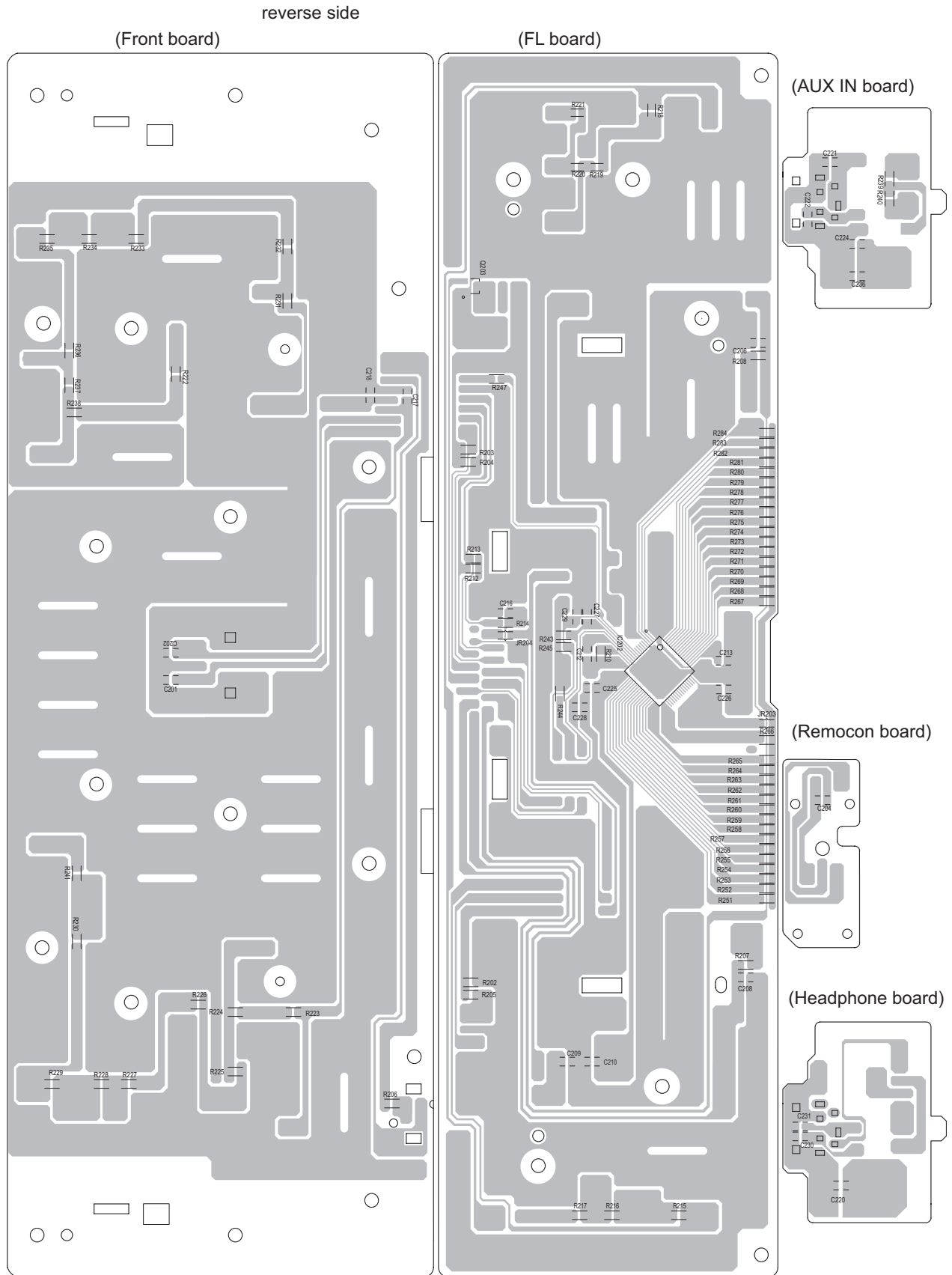
Front board

Lead free solder used in the board (material : Sn-Ag-Cu, melting point : 219 Centigrade)



■ Front board

Lead free solder used in the board (material : Sn-Ag-Cu, melting point : 219 Centigrade)



JVC

Victor Company of Japan, Limited

Audio/Video Systems Category 10-1, 1chome, Ohwatari-machi, Maebashi-city, 371-8543, Japan

(No.MB550SCH)



Printed in Japan
VPT

PARTS LIST

MX-KC45E, MX-KC45EN, MX-KC45A
MX-KC45UW, MX-KC45UY, MX-KC45UJ

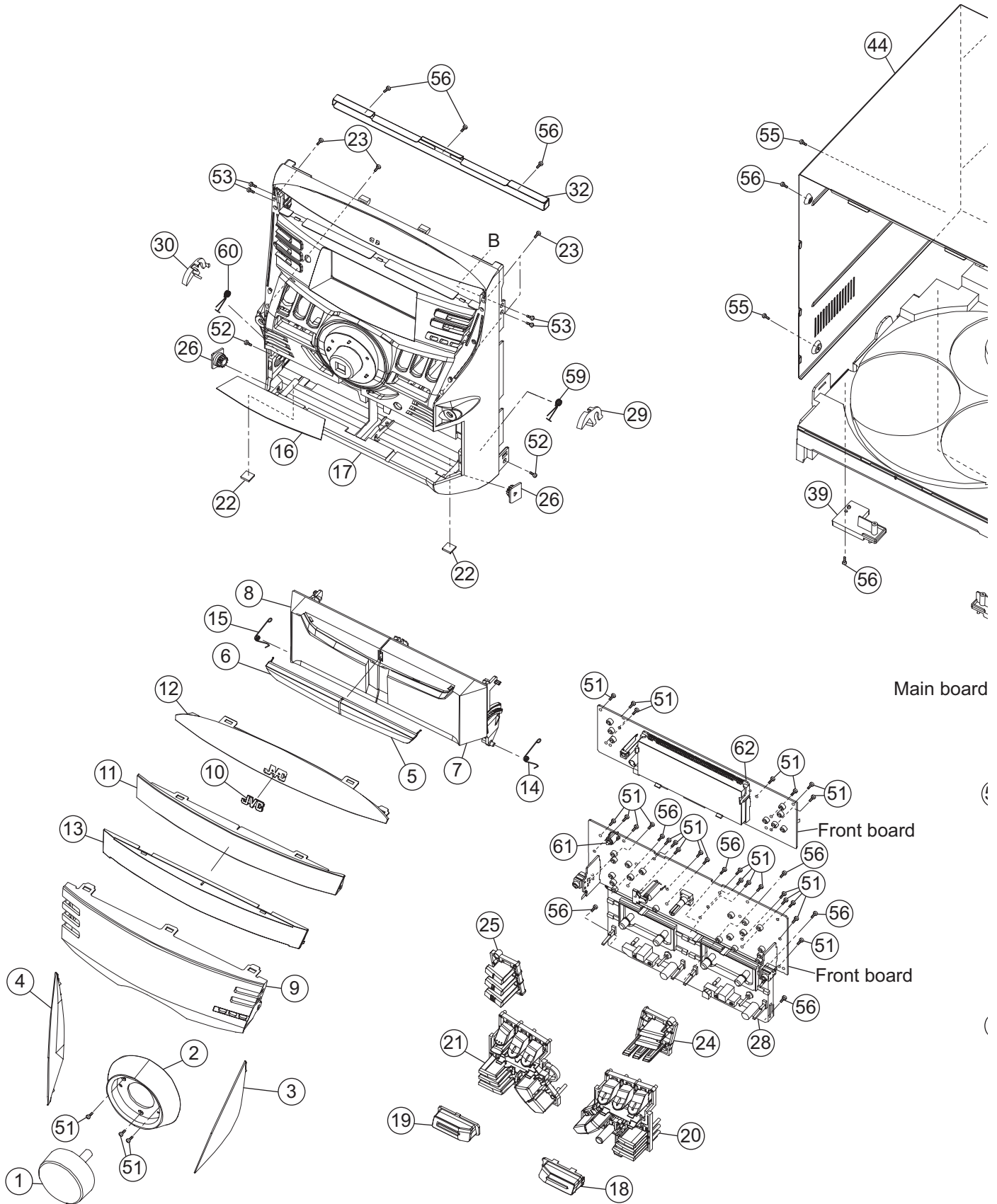
* All printed circuit boards and its assemblies are not available as service parts.

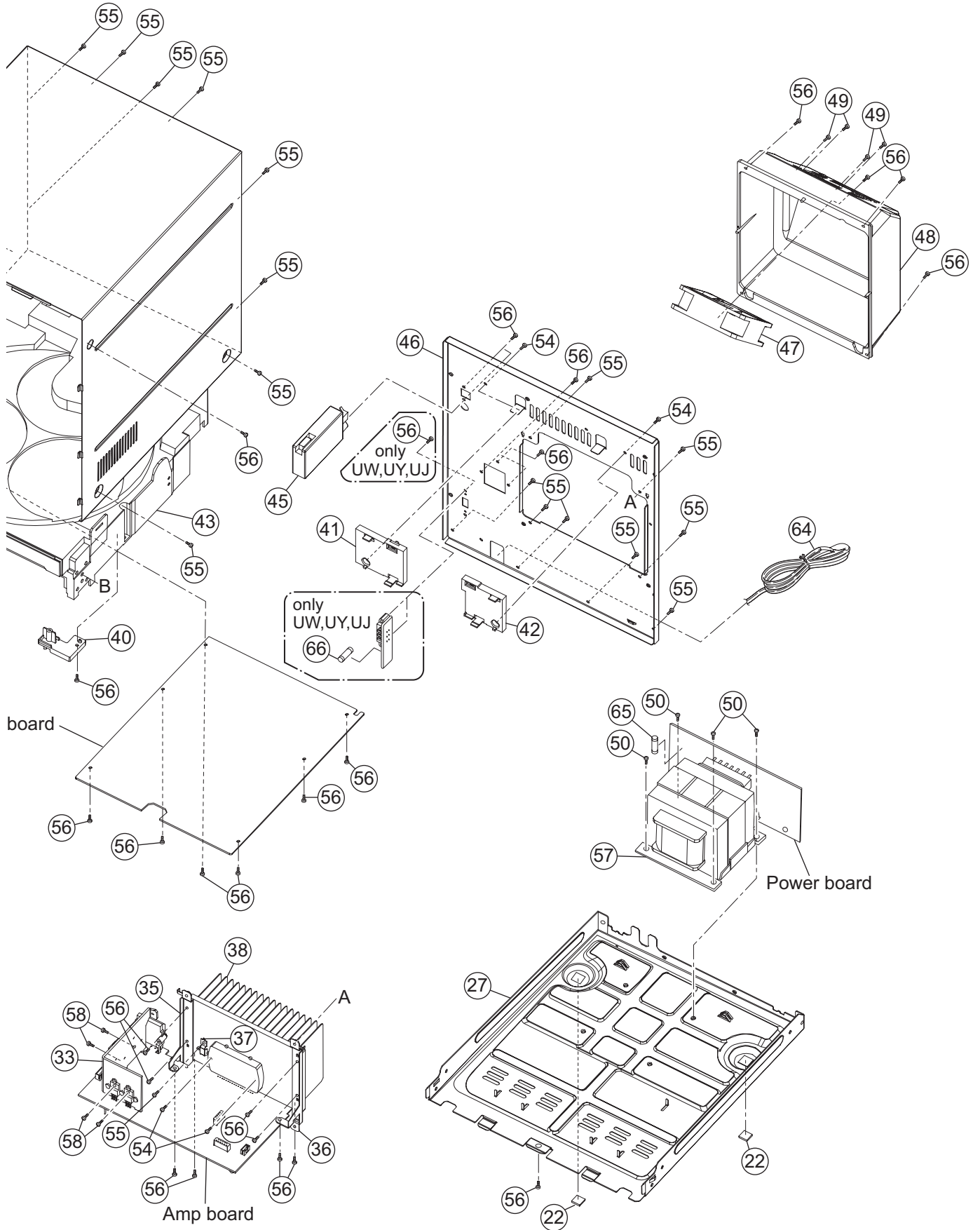
- Contents -

Exploded view of general assembly and parts list (Block No.M1)	3-2
Electrical parts list (Block No.01~13)	3-6
Packing materials and accessories parts list (Block No.M3)	3-30
(MX-KC45E, MX-KC45EN)	
Packing materials and accessories parts list (Block No.M4)	3-32
(MX-KC45A, MX-KC45UW, MX-KC45UY, MX-KC45UJ)	

Exploded view of general assembly and parts list

Block No. **M 1 M M**





General Assembly

Block No. [M][1][M][M]

△	Symbol No.	Part No.	Part Name	Description	Local
	1	BI1084430101X1	MAIN VOLUM KNOB		
	2	BI1084440101X1	V RING ORNAMENT	VOLUME	
	3	BI1084350101X1	DISP ORNAMENT	R	
	4	BI1084360101X1	DISP ORNAMENT	L	
	5	BI1084370101X1	CAS DOOR WINDOW	R	
	6	BI1084380101X1	CAS DOOR WINDOW	L	
	7	BI1084300101X1	CASS DOOR HLDR	R	
	8	BI1084310101X1	CASS DOOR HLDR	L	
	9	BI1084320101X1	DISPLAY WINDOW		
	10	BI109835010101	BADGE	700194HB	
	11	BI1084330201X1	CD FITTING		E,EN
	11	BI1084330101X1	CD FITTING		A,UW,UY,UJ
	12	BI1084340101X1	TOP ORNAMENT		
	13	BI1084450101X1	CD DOOR	HIPS	
	14	BI2031020101X1	CASSETTE SPRING	R	
	15	BI2031030101X1	CASSETTE SPRING	L	
	16	BI3023530101X1	PC MIRROR		
	17	BI1084290101X1	FRONT PANEL		
	18	BI1084540101X1	SOUND MODE BUTT		
	19	BI1084530101X1	S BOOSTER BUTT	SOUND BOOSTER	
	20	BI1084390101X1	FUNCTION BUTTON	R	
	21	BI1084400101X1	FUNCTION BUTTON	L	
	22	BI3021970101V1	RUBBER FOOT	(x4)	
	23	BI372060801PTP	SCREW	1.7X8(x4)	
	24	BI1084410101X1	CD FUNCTION BUT	R	
	25	BI1084420101X1	CD FUNCTION BUT	L	
	26	BI300924010101	DAMPER	(x2)	
	27	BI2030950101X1	BOTTOM PLATE		
	28	BI250111003000	DOUBLE CAS DECK		
	29	BI1077370101X1	CASS LOCKER AB	RIGHT POM	
	30	BI1077380101X1	CASS LOCKER AB	LEFT POM	
	32	BI2030990101X1	METAL TOP BRA		
	33	BI2025550102X1	HEAT SINK		
	35	BI202553010201	HT SINK BKT L		
	36	BI202560010201	HT SINK BKT R		
	37	BI2029330101X2	HEAT RES BKT		
	38	BI2031000101X1	HEAT SINK		
	39	BI1084490101X1	CD PCB BKT L		
	40	BI1084480101X1	CD PCB BKT R		
	41	BI1084470101X1	CD MECH BKT L		
	42	BI1084460101X1	CD MECH BKT R		
	43	BI251030095100	3CD CHANGER		
	44	BI2030940101X1	METAL COVER		
	45	BI225097301VX	TUNER PACK	KST-MU104MS1-3	E,EN
	45	BI225097102VX	TUNER PACK		A,UW,UY,UJ
	46	BI2030960201X1	REAR PANEL		E,EN
	46	BI2030980101X1	REAR PANEL		A
	46	BI2030970201X1	REAR PANEL		UW
	46	BI2030970301X1	REAR PANEL		UY
	46	BI2030970401X1	REAR PANEL		UJ
	47	BI2400261V	FAN		
	48	BI1080039104X1	HT SINK COVER		
	49	BI8T000614P2	SCREW	3X14(x4)	
	50	BIPMW001101S31	SCREW	4X8(x4)	
	51	BI8T000408S3X1	SCREW	2.6XL8mm(x28)	
	52	BIKT000606	SCREW	(x2)	
	53	BIKT000625P11	SCREW	3xL10(x4)	
	54	BI8T000614B3X1	SCREW	3xL14(x4)	
	55	BIRM000606S3X1	SCREW	3xL6(x19)	
	56	BI8T000610B3X2	SCREW	3XL10(x37)	E,EN,A
	56	BI8T000610B3X2	SCREW	3XL10(x39)	UW,UY,UJ
	57	BI211011152001	POWER TRANS	TG83061F0	E,EN
△	57	BI211011141001	POWER TRANS		A,UW,UY,UJ
	58	BI8T000611B3	SCREW	3 X L8 B-TYPE(x4)	
	59	BI202772010101	CASSETTE SPRING	SUS WPB 0.40	
	60	BI202773010101	C LOCKER SPRING		
	61	BI1084520101X1	LED HOLDER		
	62	BI1084500101X1	VFD HOLDER		
△	64	BI1401761X	POWER CORD		E,EN
△	64	BI1401671V	POWER CORD		A
△	64	BI1401761V	POWER CORD		UW,UJ
△	64	BI1401751V	POWER CORD		UY
△	65	BI403021	FUSE	F901 T2AL 250V	E,EN
△	65	BI403021X	FUSE	F901 T2AL 250V	A

△	Symbol No.	Part No.	Part Name	Description	Local
△	65	BI403361X	FUSE	F901 T4AL 250V	UW,UY,UJ
△	66	BI403021X	FUSE	F902 T2AL 250V	UW,UY,UJ

Electrical parts list

Main board (MX-KC45E,MX-KC45EN)

Block No. [0][1]

△ Symbol No.	Part No.	Part Name	Description	Local	△ Symbol No.	Part No.	Part Name	Description	Local
IC301	BI120971X	IC	S3C825AC63		D306	UZ4.7BSA	Z DIODE	BI3UZ4.7BSAM000	
IC302	BI116691X	IC	BU4051B		D307	1SS133	FR DIODE	BI31SS133M000V7	
IC401	BI112721X	IC	BD3881FV		D308	1SS133	FR DIODE	BI31SS133M000V7	
IC403	BI101851X	IC	NJM78L05		D309	1SS133	FR DIODE	BI31SS133M000V7	
IC701	BI116431X	IC	SIL9226X0		D401	MC2836	DIODE	BI3MC2836A002H	
IC702	BI118221X	IC	BA5927FM		D402	UZ4.7BSA	Z DIODE	BI3UZ4.7BSAM000	
IC801	BI118171X	IC	BH18FB1WG		D403	1SS133	FR DIODE	BI31SS133M000V7	
IC802	BI110891X	IC	KIA7808AP		D404	1SS133	FR DIODE	BI31SS133M000V7	
IC803	BI117401X	IC	K4S161622H		D405	UZ4.7BSA	Z DIODE	BI3UZ4.7BSAM000	
IC804	BI120281X	IC	S5L8310		D406	1SS133	FR DIODE	BI31SS133M000V7	
Q50	2SC3052	TRANSISTOR	BI2SC3052FA013H		D407	1SS133	FR DIODE	BI31SS133M000V7	
Q302	2SC3052	TRANSISTOR	BI2SC3052FA013H		D501	1SS133	FR DIODE	BI31SS133M000V7	
Q303	DTC114YK	DIGI TRANSISTOR	BI2DTC114YKA018		D502	1SS133	FR DIODE	BI31SS133M000V7	
Q304	2SC1815	TRANSISTOR	BI2SC1815GRP000		D503	1SS133	FR DIODE	BI31SS133M000V7	
Q401	2SJ460	TRANSISTOR	BI2SJ460P0001		D504	1SS133	FR DIODE	BI31SS133M000V7	
Q402	2SJ460	TRANSISTOR	BI2SJ460P0001		D505	1SS133	FR DIODE	BI31SS133M000V7	
Q403	2SK2541	TRANSISTOR	BI2SK2541P0001		D508	1SS133	FR DIODE	BI31SS133M000V7	
Q404	2SK2541	TRANSISTOR	BI2SK2541P0001		D509	1SS133	FR DIODE	BI31SS133M000V7	
Q405	2SJ460	TRANSISTOR	BI2SJ460P0001		D510	1N4002	DIODE	BI31N4002M000V3	
Q406	2SJ460	TRANSISTOR	BI2SJ460P0001		D511	1SS133	FR DIODE	BI31SS133M000V7	
Q407	2SK2541	TRANSISTOR	BI2SK2541P0001		D516	UZ11BSC	Z DIODE	BI3UZ11BSCM0000	
Q408	2SK2541	TRANSISTOR	BI2SK2541P0001		D517	UZ9.1BSC	Z DIODE	BI3UZ91BSCM000V	
Q409	2SK2541	TRANSISTOR	BI2SK2541P0001		D521	MTZ3.3V	Z DIODE	BI3MTZJ3.3AM000	
Q410	SRA2202S	TRANSISTOR	BI2SRA2202SA00		D710	UZ3.6BSB	Z DIODE	BI3UZ3.6BSBM000	
Q412	DTC114YK	DIGI TRANSISTOR	BI2DTC114YKA018		D711	UZ3.6BSB	Z DIODE	BI3UZ3.6BSBM000	
Q413	DTC114YK	DIGI TRANSISTOR	BI2DTC114YKA018		D712	1SS133	FR DIODE	BI31SS133M000V7	
Q414	2SC3052	TRANSISTOR	BI2SC3052FA013H		D713	1SS133	FR DIODE	BI31SS133M000V7	
Q415	KTA1273	TRANSISTOR	BI2KTA1273P0008		D801	1SS133	FR DIODE	BI31SS133M000V7	
Q416	2SC3052	TRANSISTOR	BI2SC3052FA013H		C301	BICC104500KA04	C CAPACITOR	0.1uF 50V	
Q417	KTA1273	TRANSISTOR	BI2KTA1273P0008		C302	BICC104500KA04	C CAPACITOR	0.1uF 50V	
Q418	DTC114TK	DIGI TRANSISTOR	BI2DTC114TKA011		C303	BICC223500KA04	C CAPACITOR	0.022uF 50V	
Q419	KTA1273	TRANSISTOR	BI2KTA1273P0008		C304	BICE107100MP01	E CAPACITOR	100uF 10V	
Q420	2SC3052	TRANSISTOR	BI2SC3052FA013H		C305	BICE108100MP01	E CAPACITOR	1000uF 10V	
Q421	2SC3052	TRANSISTOR	BI2SC3052FA013H		C306	BICE476250MP01	E CAPACITOR	47uF 25V	
Q422	2SC3052	TRANSISTOR	BI2SC3052FA013H		C307	BICC104500KA04	C CAPACITOR	0.1uF 50V	
Q423	KTA1267GR	TRANSISTOR	BI2KTA1267GP00		C308	BICC104500KA04	C CAPACITOR	0.1uF 50V	
Q433	2SC3052	TRANSISTOR	BI2SC3052FA013H		C311	BICC270500JA04	C CAPACITOR	27pF 50V	
Q434	2SC5343	TRANSISTOR	BI2SC5343GP0000		C312	BICC240500JA04	C CAPACITOR	24pF	
Q435	2SC5343	TRANSISTOR	BI2SC5343GP0000		C313	BICC330500JA04	C CAPACITOR	33pF 50V	
Q436	2SC5343	TRANSISTOR	BI2SC5343GP0000		C314	BICC102500KA04	C CAPACITOR	1000pF 50V	
Q437	2SC3052	TRANSISTOR	BI2SC3052FA013H		C315	BICC220500JA04	C CAPACITOR	22pF 50V	
Q438	DTC114TK	DIGI TRANSISTOR	BI2DTC114TKA011		C316	BICC220500JA04	C CAPACITOR	22pF 50V	
Q504	KTA1267GR	TRANSISTOR	BI2KTA1267GP00		C317	BICC104500KA02	C CAPACITOR	0.1uF 50V	
Q505	DTC114TK	DIGI TRANSISTOR	BI2DTC114TKA011		C318	BICE105500MP01	E CAPACITOR	1uF 50V	
Q506	KTA1267GR	TRANSISTOR	BI2KTA1267GP00		C319	BICC104500KA02	C CAPACITOR	0.1uF 50V	
Q507	DTC114TK	DIGI TRANSISTOR	BI2DTC114TKA011		C322	BICC101500JA04	C CAPACITOR	100pF 50V	
Q508	2SC1815	TRANSISTOR	BI2SC1815GRP000		C323	BICC101500JA04	C CAPACITOR	100pF 50V	
Q509	DTC114TK	DIGI TRANSISTOR	BI2DTC114TKA011		C324	BICC101500JA04	C CAPACITOR	100pF 50V	
Q522	DTA114YK	DIGI TRANSISTOR	BI2DTA114YKA018		C325	BICC101500JA04	C CAPACITOR	100pF 50V	
Q701	KTA1266GR	TRANSISTOR	BI2KTA1266GP00		C326	BICC101500JA04	C CAPACITOR	100pF 50V	
Q703	KTC3205	TRANSISTOR	BI2KTC3205P0008		C401	BICC122500KA04	C CAPACITOR	1200pF 50V	
Q704	2SC1815	TRANSISTOR	BI2SC1815GRP000		C402	BICC122500KA04	C CAPACITOR	1200pF 50V	
D301	1SS133	FR DIODE	BI31SS133M000V7		C403	BICC470500JA04	C CAPACITOR	47pF 50V	
D302	1SS133	FR DIODE	BI31SS133M000V7		C404	BICC470500JA04	C CAPACITOR	47pF 50V	
D303	1SS133	FR DIODE	BI31SS133M000V7		C405	BICE226100MP01	E CAPACITOR	22uF 10V	
D304	1SS133	FR DIODE	BI31SS133M000V7		C406	BICE226100MP01	E CAPACITOR	22uF 10V	
D305	1SS133	FR DIODE	BI31SS133M000V7						

△ Symbol No.	Part No.	Part Name	Description	Local	△ Symbol No.	Part No.	Part Name	Description	Local
C407	BICE225500MP01	E CAPACITOR	2.2uF 50V		C704	BICE476160MP01	E CAPACITOR	47uF 16V	
C408	BICC471500KA04	C CAPACITOR	470pF 50V		C705	BICC102500KA04	C CAPACITOR	1000pF 50V	
C409	BICC103500KA04	C CAPACITOR	0.01uF 50V		C706	BICC102500KA04	C CAPACITOR	1000pF 50V	
C410	BICC103500KA04	C CAPACITOR	0.01uF 50V		C707	BICC103500KA04	C CAPACITOR	0.01uF 50V	
C411	BICC181500JA04	C CAPACITOR	180pF 50V		C708	BICC473500KA04	C CAPACITOR	0.047uF 50V	
C412	BICC181500JA04	C CAPACITOR	180pF 50V		C709	BICE107100MP01	E CAPACITOR	100uF 10V	
C413	BICE107100MP01	E CAPACITOR	100uF 10V		C710	BICE107100MP01	E CAPACITOR	100uF 10V	
C414	BICC561500KA04	C CAPACITOR	560pF 50V		C711	BICC040500CA04	C CAPACITOR	4pF 50V	
C415	BICC561500KA04	C CAPACITOR	560pF 50V		C712	BICC100500DA04	C CAPACITOR	10pF 50V	
C416	BICC332500KA04	C CAPACITOR	3300pF 50V		C713	BICC682500KA04	C CAPACITOR	6800pF 50V	
C417	BICE227160MP01	E CAPACITOR	220uF 16V		C714	BICC103500KA04	C CAPACITOR	0.01uF 50V	
C418	BICE225500MP01	E CAPACITOR	2.2uF 50V		C715	BICE475500MP01	E CAPACITOR	4.7uF 50V	
C419	BICC332500KA04	C CAPACITOR	3300pF 50V		C716	BICC104500KA04	C CAPACITOR	0.1uF 50V	
C420	BICE104500MP01	E CAPACITOR	0.1uF 50V		C717	BICC104500KA04	C CAPACITOR	0.1uF 50V	
C421	BICC101500JA04	C CAPACITOR	100pF 50V		C718	BICC102500KA04	C CAPACITOR	1000pF 50V	
C422	BICE474500MP01	E CAPACITOR	0.47uF 50V		C719	BICC104500KA04	C CAPACITOR	0.1uF 50V	
C423	BICC104500KA04	C CAPACITOR	0.1uF 50V		C720	BICC333250KA04	C CAPACITOR	0.033uF 25V	
C424	BICC104500KA04	C CAPACITOR	0.1uF 50V		C721	BICC474100KA04	C CAPACITOR	0.47uF 10V	
C425	BICE104500MP01	E CAPACITOR	0.1uF 50V		C722	BICC332500KA04	C CAPACITOR	3300pF 50V	
C426	BICC122500KA04	C CAPACITOR	1200pF 50V		C723	BICC474100KA04	C CAPACITOR	0.47uF 10V	
C427	BICC181500JA04	C CAPACITOR	180pF 50V		C724	BICC103500KA04	C CAPACITOR	0.01uF 50V	
C428	BICE227160MP01	E CAPACITOR	220uF 16V		C725	BICC683160KA04	C CAPACITOR	0.068uF 16V	
C429	BICC122500KA04	C CAPACITOR	1200pF 50V		C726	BICE106160MP01	E CAPACITOR	10uF 16V	
C430	BICC102500KA04	C CAPACITOR	1000pF 50V		C727	BICC683160KA04	C CAPACITOR	0.068uF 16V	
C431	BICE107100MP01	E CAPACITOR	100uF 10V		C728	BICC331500KA04	C CAPACITOR	330pF 50V	
C432	BICC103500KA04	C CAPACITOR	0.01uF 50V		C729	BICC102500KA04	C CAPACITOR	1000pF 50V	
C433	BICC222500KA04	C CAPACITOR	2200pF 50V		C730	BICC222500KA04	C CAPACITOR	2200pF 50V	
C434	BICC181500JA04	C CAPACITOR	180pF 50V		C731	BICC333250KA04	C CAPACITOR	0.033uF 25V	
C435	BICC103500KA04	C CAPACITOR	0.01uF 50V		C732	BICC104500KA04	C CAPACITOR	0.1uF 50V	
C436	BICC103500KA04	C CAPACITOR	0.01uF 50V		C733	BICC104500KA04	C CAPACITOR	0.1uF 50V	
C437	BICC682500KA04	C CAPACITOR	6800pF 50V		C759	BICC104500KA04	C CAPACITOR	0.1uF 50V	
C438	BICC104500KA04	C CAPACITOR	0.1uF 50V		C763	BICE107100MP01	E CAPACITOR	100uF 10V	
C439	BICC103500KA04	C CAPACITOR	0.01uF 50V		C764	BICC104500KA04	C CAPACITOR	0.1uF 50V	
C440	BICE227160MP01	E CAPACITOR	220uF 16V		C765	BICE108100MP01	E CAPACITOR	1000uF 10V	
C441	BICC272500KA04	C CAPACITOR	2700pF		C766	BICC104500KA04	C CAPACITOR	0.1uF 50V	
C444	BICC222500KA04	C CAPACITOR	2200pF 50V		C767	BICE107100MP01	E CAPACITOR	100uF 10V	
C445	BICE474500MP01	E CAPACITOR	0.47uF 50V		C768	BICC102500KA04	C CAPACITOR	1000pF 50V	
C446	BICC103500KA04	C CAPACITOR	0.01uF 50V		C769	BICE476250MP01	E CAPACITOR	47uF 25V	
C447	BICE107160MP01	E CAPACITOR	100uF 16V		C770	BICC391500JA04	C CAPACITOR	390pF 50V	
C448	BICC682500KA04	C CAPACITOR	6800pF 50V		C771	BICC391500JA04	C CAPACITOR	390pF 50V	
C449	BICC103500KA04	C CAPACITOR	0.01uF 50V		C772	BICC391500JA04	C CAPACITOR	390pF 50V	
C450	BICE475500MP01	E CAPACITOR	4.7uF 50V		C773	BICC391500JA04	C CAPACITOR	390pF 50V	
C451	BICE107160MP01	E CAPACITOR	100uF 16V		C774	BICC102500KA04	C CAPACITOR	1000pF 50V	
C453	BICC102500KA04	C CAPACITOR	1000pF 50V		C803	BICE107100MP01	E CAPACITOR	100uF 10V	
C454	BICC102500KA04	C CAPACITOR	1000pF 50V		C804	BICC104500KA04	C CAPACITOR	0.1uF 50V	
C458	BICE476160MP01	E CAPACITOR	47uF 16V		C805	BICC270500JA04	C CAPACITOR	27pF 50V	
C459	BICE224500MP01	E CAPACITOR	0.22uF 50V		C806	BICC270500JA04	C CAPACITOR	27pF 50V	
C460	BICE224500MP01	E CAPACITOR	0.22uF 50V		C807	BICC104500KA04	C CAPACITOR	0.1uF 50V	
C496	BICC683160KA04	C CAPACITOR	0.068uF 16V		C808	BICE107100MP01	E CAPACITOR	100uF 10V	
C497	BICC683160KA04	C CAPACITOR	0.068uF 16V		C809	BICC104500KA04	C CAPACITOR	0.1uF 50V	
C501	BICE226250MP01	E CAPACITOR	22uF 25V		C810	BICC122500KA04	C CAPACITOR	1200pF 50V	
C503	BICM682101KP01	M CAPACITOR	6800pF 100V		C811	BICC122500KA04	C CAPACITOR	1200pF 50V	
C518	BICC272500KA04	C CAPACITOR	2700pF		C812	BICC122500KA04	C CAPACITOR	1200pF 50V	
C520	BICC272500KA04	C CAPACITOR	2700pF		C813	BICC104500KA04	C CAPACITOR	0.1uF 50V	
C521	BICC561500KA04	C CAPACITOR	560pF 50V		C814	BICE107100MP01	E CAPACITOR	100uF 10V	
C524	BICE105500MP01	E CAPACITOR	1uF 50V		C815	BICE107100MP01	E CAPACITOR	100uF 10V	
C525	BICE475500MP01	E CAPACITOR	4.7uF 50V		C816	BICE475500MP01	E CAPACITOR	4.7uF 50V	
C526	BICE105500MP01	E CAPACITOR	1uF 50V		C817	BICE475500MP01	E CAPACITOR	4.7uF 50V	
C527	BICE226250MP01	E CAPACITOR	22uF 25V		C818	BICC102500KA04	C CAPACITOR	1000pF 50V	
C528	BICE476160MP01	E CAPACITOR	47uF 16V		C819	BICC102500KA04	C CAPACITOR	1000pF 50V	
C535	BICE476160MP01	E CAPACITOR	47uF 16V		C820	BICC104500KA04	C CAPACITOR	0.1uF 50V	
C536	BICC102500KA04	C CAPACITOR	1000pF 50V		C821	BICC104500KA04	C CAPACITOR	0.1uF 50V	
C539	BICC102500KA04	C CAPACITOR	1000pF 50V		C822	BICC104500KA04	C CAPACITOR	0.1uF 50V	
C540	BICC101500JA04	C CAPACITOR	100pF 50V		C823	BICC104500KA04	C CAPACITOR	0.1uF 50V	
C541	BICC101500JA04	C CAPACITOR	100pF 50V		C824	BICC104500KA02	C CAPACITOR	0.1uF 50V	
C542	BICE105500MP01	E CAPACITOR	1uF 50V		C825	BICC104500KA02	C CAPACITOR	0.1uF 50V	
C543	BICE105500MP01	E CAPACITOR	1uF 50V		C826	BICC104500KA04	C CAPACITOR	0.1uF 50V	
C544	BICE475500MP01	E CAPACITOR	4.7uF 50V		C827	BICC104500KA04	C CAPACITOR	0.1uF 50V	
C545	BICE475500MP01	E CAPACITOR	4.7uF 50V		C828	BICC104500KA04	C CAPACITOR	0.1uF 50V	
C546	BICE104500MP01	E CAPACITOR	0.1uF 50V		C829	BICC104500KA04	C CAPACITOR	0.1uF 50V	
C547	BICE104500MP01	E CAPACITOR	0.1uF 50V		C830	BICC104500KA04	C CAPACITOR	0.1uF 50V	
C551	BICE476160MP01	E CAPACITOR	47uF 16V		C831	BICC104500KA04	C CAPACITOR	0.1uF 50V	
C557	BICE107100MP01	E CAPACITOR	100uF 10V		C832	BICC100500DA04	C CAPACITOR	10pF 50V	
C558	BICC103500KA04	C CAPACITOR	0.01uF 50V		C833	BICC330500JA04	C CAPACITOR	33pF 50V	
C701	BICC104500KA04	C CAPACITOR	0.1uF 50V		C850	BICC104500KA04	C CAPACITOR	0.1uF 50V	
C702	BICC104500KA04	C CAPACITOR	0.1uF 50V						
C703	BICC102500KA04	C CAPACITOR	1000pF 50V		R301	BIRC4710105A00	C RESISTOR	470Ω 1/10W	

△ Symbol No.	Part No.	Part Name	Description	Local	△ Symbol No.	Part No.	Part Name	Description	Local
R302	BIRC1010105A00	C RESISTOR	100Ω 1/10W		R387	BIRC1030085M00	C RESISTOR	10KΩ 1/8W J	
R303	BIRC1010105A00	C RESISTOR	100Ω 1/10W		R388	BIRC2220085N00	C RESISTOR	2.2KΩ 1/8W	
R304	BIRC1010105A00	C RESISTOR	100Ω 1/10W		R390	BIRC4730105A00	C RESISTOR	47KΩ 1/10W	
R305	BIRC1010105A00	C RESISTOR	100Ω 1/10W		R391	BIRC6840105A00	C RESISTOR	680KΩ 1/10W	
R306	BIRC1010105A00	C RESISTOR	100Ω 1/10W		R392	BIRC1030085M00	C RESISTOR	10KΩ 1/8W J	
R307	BIRC1010105A00	C RESISTOR	100Ω 1/10W		R393	BIRC1030105A00	C RESISTOR	10KΩ 1/10W	
R308	BIRC1010105A00	C RESISTOR	100Ω 1/10W		R394	BIRC1030105A00	C RESISTOR	10KΩ 1/10W	
R309	BIRC1010105A00	C RESISTOR	100Ω 1/10W		R395	BIRC1030105A00	C RESISTOR	10KΩ 1/10W	
R310	BIRC1010105A00	C RESISTOR	100Ω 1/10W		R396	BIRC1020105A00	C RESISTOR	1KΩ 1/10W	
R311	BIRC1010105A00	C RESISTOR	100Ω 1/10W		R397	BIRC1020105A00	C RESISTOR	1KΩ 1/10W	
R312	BIRC1010105A00	C RESISTOR	100Ω 1/10W		R398	BIRC1020105A00	C RESISTOR	1KΩ 1/10W	
R313	BIRC1010105A00	C RESISTOR	100Ω 1/10W		R399	BIRC2230105A00	C RESISTOR	22KΩ 1/10W	
R314	BIRC1020105A00	C RESISTOR	1KΩ 1/10W		R401	BIRC3930105A00	C RESISTOR	39KΩ 1/10W	
R315	BIRC1010105A00	C RESISTOR	100Ω 1/10W		R402	BIRC3930105A00	C RESISTOR	39KΩ 1/10W	
R316	BIRC1010105A00	C RESISTOR	100Ω 1/10W		R403	BIRC1010085M00	C RESISTOR	100Ω 1/8W J	
R317	BIRC1010105A00	C RESISTOR	100Ω 1/10W		R404	BIRC1010105A00	C RESISTOR	100Ω 1/10W	
R318	BIRC1010105A00	C RESISTOR	100Ω 1/10W		R405	BIRC1510105A00	C RESISTOR	150Ω 1/10W	
R319	BIRC1010085M00	C RESISTOR	100Ω 1/8W J		R406	BIRC1510105A00	C RESISTOR	150Ω 1/10W	
R320	BIRC1010085M00	C RESISTOR	100Ω 1/8W J		R409	BIRC3940085M00	C RESISTOR	390KΩ 1/8W	
R321	BIRC1010085M00	C RESISTOR	100Ω 1/8W J		R410	BIRC3940105A00	C RESISTOR	390KΩ 1/10W	
R322	BIRC1010085M00	C RESISTOR	100Ω 1/8W J		R411	BIRC1220105A00	C RESISTOR	1.2KΩ 1/10W	
R323	BIRC1010085M00	C RESISTOR	100Ω 1/8W J		R412	BIRC1220105A00	C RESISTOR	1.2KΩ 1/10W	
R324	BIRC1010085M00	C RESISTOR	100Ω 1/8W J		R413	BIRC1830105A00	C RESISTOR	18KΩ 1/10W	
R325	BIRC1040085M00	C RESISTOR	100KΩ 1/8W		R414	BIRC1830105A00	C RESISTOR	18KΩ 1/10W	
R326	BIRC0000105A00	C RESISTOR	0Ω 1/10W		R417	BIRC5600045M00	C RESISTOR	56Ω 1/4W	
R327	BIRC1010085M00	C RESISTOR	100Ω 1/8W J		R418	BIRC1020105A00	C RESISTOR	1KΩ 1/10W	
R328	BIRC1010085M00	C RESISTOR	100Ω 1/8W J		R419	BIRC0820045M00	C RESISTOR	8.2Ω 1/4W	
R329	BIRC2220085M00	C RESISTOR	2.2KΩ 1/8W		R420	BIRC1020105A00	C RESISTOR	1KΩ 1/10W	
R330	BIRC2220085M00	C RESISTOR	2.2KΩ 1/8W		R421	BIRC8230105A00	C RESISTOR	82KΩ 1/10W	
R331	BIRC2220085M00	C RESISTOR	2.2KΩ 1/8W		R422	BIRC8230105A00	C RESISTOR	82KΩ 1/10W	
R332	BIRC2220085M00	C RESISTOR	2.2KΩ 1/8W		R423	BIRC2240105A00	C RESISTOR	220KΩ 1/10W	
R333	BIRC1820085M00	C RESISTOR	1.8KΩ 1/8W		R424	BIRC2230105A00	C RESISTOR	22KΩ 1/10W	
R334	BIRC2230105A00	C RESISTOR	22KΩ 1/10W		R425	BIRC2220105A00	C RESISTOR	2.2KΩ 1/10W	
R335	BIRC2230105A00	C RESISTOR	22KΩ 1/10W		R426	BIRC2220105A00	C RESISTOR	2.2KΩ 1/10W	
R336	BIRC2230105A00	C RESISTOR	22KΩ 1/10W		R427	BIRC2220105A00	C RESISTOR	2.2KΩ 1/10W	
R337	BIRC1010105A00	C RESISTOR	100Ω 1/10W		R428	BIRC1230085M00	C RESISTOR	12 KΩ 1/8W	
R338	BIRC1010105A00	C RESISTOR	100Ω 1/10W		R429	BIRC1230085M00	C RESISTOR	12 KΩ 1/8W	
R339	BIRC3310085M00	C RESISTOR	330Ω 1/8W		R430	BIRC1820105A00	C RESISTOR	1.8KΩ 1/10W	
R340	BIRC4710085M00	C RESISTOR	470Ω 1/8W		R431	BIRC2220105A00	C RESISTOR	2.2KΩ 1/10W	
R341	BIRC1020085M00	C RESISTOR	1KΩ 1/8W J		R432	BIRC1520085N00	C RESISTOR	1.5KΩ 1/8W	
R342	BIRC2210085M00	C RESISTOR	220Ω 1/8W		R433	BIRC1030105A00	C RESISTOR	10KΩ 1/10W	
R343	BIRC2210085M00	C RESISTOR	220Ω 1/8W		R434	BIRC1020105A00	C RESISTOR	1KΩ 1/10W	
R344	BIRC2210085M00	C RESISTOR	220Ω 1/8W		R435	BIRC1020105A00	C RESISTOR	1KΩ 1/10W	
R345	BIRC1020085M00	C RESISTOR	1KΩ 1/8W J		R436	BIRC1020105A00	C RESISTOR	1KΩ 1/10W	
R346	BIRC1010085M00	C RESISTOR	100Ω 1/8W J		R437	BIRC1020105A00	C RESISTOR	1KΩ 1/10W	
R347	BIRC1010085M00	C RESISTOR	100Ω 1/8W J		R438	BIRC2220105A00	C RESISTOR	2.2KΩ 1/10W	
R348	BIRC1020085M00	C RESISTOR	1KΩ 1/8W J		R439	BIRC1820105A00	C RESISTOR	1.8KΩ 1/10W	
R349	BIRC1020085N00	C RESISTOR	1KΩ 1/8W		R440	BIRC1530105A00	C RESISTOR	15KΩ 1/10W	
R350	BIRC1020085M00	C RESISTOR	1KΩ 1/8W J		R441	BIRC1530105A00	C RESISTOR	15KΩ 1/10W	
R351	BIRC1020085M00	C RESISTOR	1KΩ 1/8W J		R442	BIRC2220105A00	C RESISTOR	2.2KΩ 1/10W	
R352	BIRC0000105A00	C RESISTOR	0Ω 1/10W		R443	BIRC2220105A00	C RESISTOR	2.2KΩ 1/10W	
R353	BIRC1020105A00	C RESISTOR	1KΩ 1/10W		R444	BIRC3320085M00	C RESISTOR	3.3KΩ 1/8W	
R354	BIRC1020105A00	C RESISTOR	1KΩ 1/10W		R445	BIRC4720105A00	C RESISTOR	4.7KΩ 1/10W	
R355	BIRC1010085M00	C RESISTOR	100Ω 1/8W J		R446	BIRC1510105A00	C RESISTOR	150Ω 1/10W	
R358	BIRC1010085M00	C RESISTOR	100Ω 1/8W J		R447	BIRC3320085M00	C RESISTOR	3.3KΩ 1/8W	
R359	BIRC1010085M00	C RESISTOR	100Ω 1/8W J		R448	BIRC4720105A00	C RESISTOR	4.7KΩ 1/10W	
R360	BIRC2210105A00	C RESISTOR	220Ω 1/10W		R449	BIRC1510105A00	C RESISTOR	150Ω 1/10W	
R361	BIRC4710105A00	C RESISTOR	470Ω 1/10W		R450	BIRC3320105A00	C RESISTOR	3.3KΩ 1/10W	
R362	BIRC4710105A00	C RESISTOR	470Ω 1/10W		R451	BIRC1020105A00	C RESISTOR	1KΩ 1/10W	
R363	BIRC4710085M00	C RESISTOR	470Ω 1/8W		R452	BIRC4720085M00	C RESISTOR	4.7KΩ 1/8W	
R365	BIRC1010105A00	C RESISTOR	100Ω 1/10W		R453	BIRC1220085M00	C RESISTOR	1.2KΩ 1/8W	
R366	BIRC1010085M00	C RESISTOR	100Ω 1/8W J		R454	BIRC1010085M00	C RESISTOR	100Ω 1/8W J	
R367	BIRC4720085M00	C RESISTOR	4.7KΩ 1/8W		R455	BIRC4730105A00	C RESISTOR	47KΩ 1/10W	
R368	BIRC1540085M00	C RESISTOR	150KΩ 1/8W		R456	BIRC2230105A00	C RESISTOR	22KΩ 1/10W	
R369	BIRC1010105A00	C RESISTOR	100Ω 1/10W		R457	BIRC4720085M00	C RESISTOR	4.7KΩ 1/8W	
R370	BIRC1010085M00	C RESISTOR	100Ω 1/8W J		R458	BIRC1030105A00	C RESISTOR	10KΩ 1/10W	
R371	BIRC4730105A00	C RESISTOR	47KΩ 1/10W		R459	BIRC2220105A00	C RESISTOR	2.2KΩ 1/10W	
R373	BIRC0000105A00	C RESISTOR	0Ω 1/10W		R460	BIRC1830105A00	C RESISTOR	18KΩ 1/10W	
R374	BIRC0000105A00	C RESISTOR	0Ω 1/10W		R461	BIRC1830105A00	C RESISTOR	18KΩ 1/10W	
R375	BIRC0000105A00	C RESISTOR	0Ω 1/10W		R462	BIRC4730105A00	C RESISTOR	47KΩ 1/10W	
R376	BIRC0000105A00	C RESISTOR	0Ω 1/10W		R463	BIRC1020105A00	C RESISTOR	1KΩ 1/10W	
R377	BIRC2220105A00	C RESISTOR	2.2KΩ 1/10W		R464	BIRC1020105A00	C RESISTOR	1KΩ 1/10W	
R378	BIRC2220105A00	C RESISTOR	2.2KΩ 1/10W		R465	BIRC6830105A00	C RESISTOR	68KΩ 1/10W	
R380	BIRC2220105A00	C RESISTOR	2.2KΩ 1/10W		R467	BIRC2220105A00	C RESISTOR	2.2KΩ 1/10W	
R382	BIRC1030105A00	C RESISTOR	10KΩ 1/10W		R468	BIRC2220105A00	C RESISTOR	2.2KΩ 1/10W	
R384	BIRC3320105A00	C RESISTOR	3.3KΩ 1/10W		R469	BIRC1030105A00	C RESISTOR	10KΩ 1/10W	
R385	BIRC1020105A00	C RESISTOR	1KΩ 1/10W		R471	BIRC1230105A00	C RESISTOR	12KΩ 1/10W	

△ Symbol No.	Part No.	Part Name	Description	Local	△ Symbol No.	Part No.	Part Name	Description	Local
R472	BIRC5630105A00	C RESISTOR	56KΩ 1/10W		R714	BIRC1030105A00	C RESISTOR	10KΩ 1/10W	
R479	BIRC1200045M00	C RESISTOR	12Ω 1/4W		R715	BIRC1830105A00	C RESISTOR	18KΩ 1/10W	
R480	BIRC2720105A00	C RESISTOR	2.7KΩ 1/10W		R716	BIRC2230105A00	C RESISTOR	22KΩ 1/10W	
R481	BIRC2720105A00	C RESISTOR	2.7KΩ 1/10W		R717	BIRC1050105A00	C RESISTOR	1MΩ 1/10W	
R482	BIRC4730105A00	C RESISTOR	47KΩ 1/10W		R718	BIRC1030105A00	C RESISTOR	10KΩ 1/10W	
R483	BIRC4730105A00	C RESISTOR	47KΩ 1/10W		R719	BIRC5620105A00	C RESISTOR	5.6KΩ 1/10W	
R484	BIRC4710105A00	C RESISTOR	470Ω 1/10W		R720	BIRC1020105A00	C RESISTOR	1KΩ 1/10W	
R501	BIRC1530085M00	C RESISTOR	15KΩ 1/8W		R721	BIRC1030105A00	C RESISTOR	10KΩ 1/10W	
R502	BIRC1530085M00	C RESISTOR	15KΩ 1/8W		R722	BIRC1030105A00	C RESISTOR	10KΩ 1/10W	
R503	BIRC2230085M00	C RESISTOR	22KΩ 1/8W		R723	BIRC6830105A00	C RESISTOR	68KΩ 1/10W	
R504	BIRC2230085M00	C RESISTOR	22KΩ 1/8W		R724	BIRC5630105A00	C RESISTOR	56KΩ 1/10W	
R505	BIRC3930105A00	C RESISTOR	39KΩ 1/10W		R725	BIRC1530105A00	C RESISTOR	15KΩ 1/10W	
R506	BIRC3930105A00	C RESISTOR	39KΩ 1/10W		R726	BIRC4730105A00	C RESISTOR	47KΩ 1/10W	
R507	BIRC2220105A00	C RESISTOR	2.2KΩ 1/10W		R727	BIRC8230105A00	C RESISTOR	82KΩ 1/10W	
R508	BIRC4720085M00	C RESISTOR	4.7KΩ 1/8W		R728	BIRC3930105A00	C RESISTOR	39KΩ 1/10W	
R509	BIRC6830105A00	C RESISTOR	68KΩ 1/10W		R729	BIRC3940105A00	C RESISTOR	390KΩ 1/10W	
R510	BIRC5630105A00	C RESISTOR	56KΩ 1/10W		R730	BIRC1240105A00	C RESISTOR	120KΩ 1/10W	
R511	BIRC4720085M00	C RESISTOR	4.7KΩ 1/8W		R731	BIRC1040105A00	C RESISTOR	100KΩ 1/10W	
R512	BIRC2220085M00	C RESISTOR	2.2KΩ 1/8W		R732	BIRC4730105A00	C RESISTOR	47KΩ 1/10W	
R513	BIRC5620105A00	C RESISTOR	5.6KΩ 1/10W		R750	BIRC8200105A00	C RESISTOR	82Ω 1/10W	
R514	BIRC1040105A00	C RESISTOR	100KΩ 1/10W		R751	BIRC1010105A00	C RESISTOR	100Ω 1/10W	
R515	BIRC1040105A00	C RESISTOR	100KΩ 1/10W		R752	BIRC1330105A00	C RESISTOR	13KΩ 1/10W	
R516	BIRC1050105A00	C RESISTOR	1MΩ 1/10W		R753	BIRC1330105A00	C RESISTOR	13KΩ 1/10W	
R517	BIRC1000105A00	C RESISTOR	10Ω 1/10W		R754	BIRC1330105A00	C RESISTOR	13KΩ 1/10W	
R518	BIRC1040105A00	C RESISTOR	100KΩ 1/10W		R755	BIRC1330105A00	C RESISTOR	13KΩ 1/10W	
R519	BIRC1040105A00	C RESISTOR	100KΩ 1/10W		R756	BIRC1020085N00	C RESISTOR	1KΩ 1/8W	
R520	BIRC1030105A00	C RESISTOR	10KΩ 1/10W		R757	BIRC1020085N00	C RESISTOR	1KΩ 1/8W	
R521	BIRC0000105A00	C RESISTOR	0Ω 1/10W		R758	BIRC1810105A00	C RESISTOR	180Ω 1/10W	
R523	BIRC2220105A00	C RESISTOR	2.2KΩ 1/10W		R759	BIRC1030105A00	C RESISTOR	10KΩ 1/10W	
R525	BIRC1040105A00	C RESISTOR	100KΩ 1/10W		R760	BIRC1030105A00	C RESISTOR	10KΩ 1/10W	
R526	BIRC1040105A00	C RESISTOR	100KΩ 1/10W		R761	BIRC6820105A00	C RESISTOR	6.8KΩ 1/10W	
R528	BIRC1030105A00	C RESISTOR	10KΩ 1/10W		R762	BIRC1020085M00	C RESISTOR	1KΩ 1/8W J	
R537	BIRC3920105A00	C RESISTOR	3.9KΩ 1/10W		R763	BIRC2020105A00	C RESISTOR	2KΩ 1/10W	
R538	BIRC2220105A00	C RESISTOR	2.2KΩ 1/10W		R764	BIRC0100025N00	C RESISTOR	1Ω 1/2W	
R539	BIRC2220105A00	C RESISTOR	2.2KΩ 1/10W		R780	BIRC1010105A00	C RESISTOR	100Ω 1/10W	
R540	BIRC4720105A00	C RESISTOR	4.7KΩ 1/10W		R781	BIRC1010105A00	C RESISTOR	100Ω 1/10W	
R541	BIRC4720105A00	C RESISTOR	4.7KΩ 1/10W		R782	BIRC1010105A00	C RESISTOR	100Ω 1/10W	
R542	BIRC1030105A00	C RESISTOR	10KΩ 1/10W		R801	BIRC1210105A00	C RESISTOR	120Ω 1/10W	
R543	BIRC1030105A00	C RESISTOR	10KΩ 1/10W		R802	BIRC1010085M00	C RESISTOR	100Ω 1/8W J	
R550	BIRC3920105A00	C RESISTOR	3.9KΩ 1/10W		R803	BIRC1010085M00	C RESISTOR	100Ω 1/8W J	
R557	BIRC1030105A00	C RESISTOR	10KΩ 1/10W		R804	BIRC1050105A00	C RESISTOR	1MΩ 1/10W	
R558	BIRC4720105A00	C RESISTOR	4.7KΩ 1/10W		R805	BIRC1010105A00	C RESISTOR	100Ω 1/10W	
R559	BIRC4730105A00	C RESISTOR	47KΩ 1/10W		R806	BIRC1010105A00	C RESISTOR	100Ω 1/10W	
R560	BIRC2230105A00	C RESISTOR	22KΩ 1/10W		R807	BIRC1010105A00	C RESISTOR	100Ω 1/10W	
R561	BIRC2230105A00	C RESISTOR	22KΩ 1/10W		R808	BIRC1040105A00	C RESISTOR	100KΩ 1/10W	
R562	BIRC2230105A00	C RESISTOR	22KΩ 1/10W		R809	BIRC1040105A00	C RESISTOR	100KΩ 1/10W	
R563	BIRC4710105A00	C RESISTOR	470Ω 1/10W		R810	BIRC1010105A00	C RESISTOR	100Ω 1/10W	
R566	BIRC6820105A00	C RESISTOR	6.8KΩ 1/10W		R811	BIRC1010105A00	C RESISTOR	100Ω 1/10W	
R567	BIRC3320105A00	C RESISTOR	3.3KΩ 1/10W		R814	BIRC1210085M00	C RESISTOR	120Ω 1/8W	
R570	BIRC4720105A00	C RESISTOR	4.7KΩ 1/10W		R815	BIRC1020105A00	C RESISTOR	1KΩ 1/10W	
R571	BIRC4710045M00	C RESISTOR	470Ω 1/4W		R816	BIRC1010105A00	C RESISTOR	100Ω 1/10W	
R572	BIRC4720085M00	C RESISTOR	4.7KΩ 1/8W		R817	BIRC1010105A00	C RESISTOR	100Ω 1/10W	
R573	BIRC2210085M00	C RESISTOR	220Ω 1/8W		R821	BIRC1020085M00	C RESISTOR	1KΩ 1/8W J	
R574	BIRC1030105A00	C RESISTOR	10KΩ 1/10W		R850	BIRC1020105A00	C RESISTOR	1KΩ 1/10W	
R575	BIRC1010085M00	C RESISTOR	100Ω 1/8W J		L301	BI26100000KN00	FIXED INDUCTOR	10uH	
R576	BIRC2220085M00	C RESISTOR	2.2KΩ 1/8W		L302	BI18A843556N00	FILTER BEAD	843556	
R577	BIRC2220085M00	C RESISTOR	2.2KΩ 1/8W		L304	BI18A916121A00	FERRITE BEAD	120Ω	
R578	BIRC4710045M00	C RESISTOR	470Ω 1/4W		L501	BI18A843556N00	FILTER BEAD	843556	
R579	BIRC4700085M00	C RESISTOR	47Ω 1/8W		L503	BI18A843556N00	FILTER BEAD	843556	
R580	BIRC1040105A00	C RESISTOR	100KΩ 1/10W		L505	BI18A843556N00	FILTER BEAD	843556	
R581	BIRC3320105A00	C RESISTOR	3.3KΩ 1/10W		L509	BI18A843556N00	FILTER BEAD	843556	
R582	BIRC5610085M00	RESISTOR	560Ω 1/8W		L702	BI26100000KN00	FIXED INDUCTOR	10uH	
R585	BIRC0000105A00	C RESISTOR	0Ω 1/10W		L801	BI26100000KN00	FIXED INDUCTOR	10uH	
R586	BIRC0000105A00	C RESISTOR	0Ω 1/10W		L802	BI26100000KN00	FIXED INDUCTOR	10uH	
R597	BIRC4710045M00	C RESISTOR	470Ω 1/4W		L803	BI26100000KN00	FIXED INDUCTOR	10uH	
R598	BIRC2210085M00	C RESISTOR	220Ω 1/8W		L804	BI26100000KN00	FIXED INDUCTOR	10uH	
R701	BIRC0820105A00	C RESISTOR	8.2Ω 1/10W		L805	BI26100000KN00	FIXED INDUCTOR	10uH	
R702	BIRC8230105A00	C RESISTOR	82KΩ 1/10W		L806	BI26100000KN00	FIXED INDUCTOR	10uH	
R703	BIRC3930105A00	C RESISTOR	39KΩ 1/10W		L807	BIRC0000105A00	C RESISTOR	0Ω 1/10W	
R704	BIRC3930105A00	C RESISTOR	39KΩ 1/10W		L808	BI18A843556N00	FILTER BEAD	843556	
R705	BIRC3930105A00	C RESISTOR	39KΩ 1/10W		L808	BI18A843556N00	FILTER BEAD	843556	
R706	BIRC3930105A00	C RESISTOR	39KΩ 1/10W		T401	BI603141V	COIL OSC		
R707	BIRC8230105A00	C RESISTOR	82KΩ 1/10W		CN201	BI12S1800061V	CONNECTOR	18P	
R708	BIRC3940105A00	C RESISTOR	390KΩ 1/10W		CN205	BI12S30039	CONNECTOR	3P	
R709	BIRC4720105A00	C RESISTOR	4.7KΩ 1/10W		CN301	BI12S30039	CONNECTOR	3P	
R710	BIRC1010105A00	C RESISTOR	100Ω 1/10W		CN302	BI12S80024	CONNECTOR	8P	
R711	BIRC8220105A00	C RESISTOR	8.2KΩ 1/10W						

Symbol No.	Part No.	Part Name	Description	Local
CN303	BI12S90024V	FFC CONNECTOR	9P	
CN306	BI12S100047X	CONNECTOR	10P	
CN601	BI12S240004V	FFC CONNECTOR	24P	
CN701	BI12S160031V	FFC CONNECTOR	16P	
CN702	BI12P60142V	CONNECTOR WIRE	6P to CD MECHA	
CN703	BI12P100051X	CONNECTOR WIRE	10P to CD PICK UP	
JR301	BIRC0000105A00	C RESISTOR	0Ω 1/10W	
JR302	BIRC0000105A00	C RESISTOR	0Ω 1/10W	
JR401	BIRC0000105A00	C RESISTOR	0Ω 1/10W	
JR402	BIRC0000105A00	C RESISTOR	0Ω 1/10W	
JR403	BIRC0000105A00	C RESISTOR	0Ω 1/10W	
JR404	BIRC0000105A00	C RESISTOR	0Ω 1/10W	
JR408	BIRC0000105A00	C RESISTOR	0Ω 1/10W	
JR701	BIRC0000105A00	C RESISTOR	0Ω 1/10W	
JR702	BIRC0000105A00	C RESISTOR	0Ω 1/10W	
JR703	BIRC0000085A00	C RESISTOR	0Ω 1/8W	
JR801	BIRC0000085A00	C RESISTOR	0Ω 1/8W	
X801	BI2102361	CRYSTAL	16.9344MHz	
XT301	BI2101012	CRYSTAL	32.768KHz	
XT302	BI29ZTA8.00P015	C RESONATOR	8MHz	

Symbol No.	Part No.	Part Name	Description	Local
R215	BIRC9110105A00	C RESISTOR	910Ω 1/10W	
R216	BIRC1120105A00	C RESISTOR	1.1KΩ 1/10W	
R217	BIRC1320105A00	C RESISTOR	1.3KΩ 1/10W	
R218	BIRC1820105A00	C RESISTOR	1.8KΩ 1/10W	
R219	BIRC2020105A00	C RESISTOR	2KΩ 1/10W	
R220	BIRC3020105A00	C RESISTOR	3KΩ 1/10W	
R221	BIRC3920105A00	C RESISTOR	3.9KΩ 1/10W	
R222	BIRC1030105A00	C RESISTOR	10KΩ 1/10W	
R223	BIRC9110105A00	C RESISTOR	910Ω 1/10W	
R224	BIRC1120105A00	C RESISTOR	1.1KΩ 1/10W	
R225	BIRC1320105A00	C RESISTOR	1.3KΩ 1/10W	
R226	BIRC1820105A00	C RESISTOR	1.8KΩ 1/10W	
R227	BIRC2020105A00	C RESISTOR	2KΩ 1/10W	
R228	BIRC3020105A00	C RESISTOR	3KΩ 1/10W	
R229	BIRC3920105A00	C RESISTOR	3.9KΩ 1/10W	
R230	BIRC6220105A00	C RESISTOR	6.2KΩ 1/10W	
R231	BIRC9110105A00	C RESISTOR	910Ω 1/10W	
R232	BIRC1120105A00	C RESISTOR	1.1KΩ 1/10W	
R233	BIRC1320105A00	C RESISTOR	1.3KΩ 1/10W	
R234	BIRC1820105A00	C RESISTOR	1.8KΩ 1/10W	
R235	BIRC2020105A00	C RESISTOR	2KΩ 1/10W	
R236	BIRC3020105A00	C RESISTOR	3KΩ 1/10W	
R237	BIRC3920105A00	C RESISTOR	3.9KΩ 1/10W	
R238	BIRC6220105A00	C RESISTOR	6.2KΩ 1/10W	
R241	BIRC1030105A00	C RESISTOR	10KΩ 1/10W	
R247	BIRC1020105A00	C RESISTOR	1KΩ 1/10W	
R248	BIRC1020085M00	C RESISTOR	1KΩ 1/8W J	
R249	BIRC1020085M00	C RESISTOR	1KΩ 1/8W J	
R250	BIRC1020085M00	C RESISTOR	1KΩ 1/8W J	
R251	BIRC4730105A00	C RESISTOR	47KΩ 1/10W	
R252	BIRC4730105A00	C RESISTOR	47KΩ 1/10W	
R253	BIRC4730105A00	C RESISTOR	47KΩ 1/10W	
R254	BIRC4730105A00	C RESISTOR	47KΩ 1/10W	
R255	BIRC4730105A00	C RESISTOR	47KΩ 1/10W	
R256	BIRC4730105A00	C RESISTOR	47KΩ 1/10W	
R257	BIRC4730105A00	C RESISTOR	47KΩ 1/10W	
R258	BIRC4730105A00	C RESISTOR	47KΩ 1/10W	
R259	BIRC4730105A00	C RESISTOR	47KΩ 1/10W	
R260	BIRC4730105A00	C RESISTOR	47KΩ 1/10W	
R261	BIRC4730105A00	C RESISTOR	47KΩ 1/10W	
R262	BIRC4730105A00	C RESISTOR	47KΩ 1/10W	
R263	BIRC4730105A00	C RESISTOR	47KΩ 1/10W	
R264	BIRC4730105A00	C RESISTOR	47KΩ 1/10W	
R265	BIRC4730105A00	C RESISTOR	47KΩ 1/10W	
R266	BIRC4730105A00	C RESISTOR	47KΩ 1/10W	
R267	BIRC4730105A00	C RESISTOR	47KΩ 1/10W	
R268	BIRC4730105A00	C RESISTOR	47KΩ 1/10W	
R269	BIRC4730105A00	C RESISTOR	47KΩ 1/10W	
R270	BIRC4730105A00	C RESISTOR	47KΩ 1/10W	
R271	BIRC4730105A00	C RESISTOR	47KΩ 1/10W	
R272	BIRC4730105A00	C RESISTOR	47KΩ 1/10W	
R273	BIRC4730105A00	C RESISTOR	47KΩ 1/10W	
R274	BIRC4730105A00	C RESISTOR	47KΩ 1/10W	
R275	BIRC4730105A00	C RESISTOR	47KΩ 1/10W	
R276	BIRC4730105A00	C RESISTOR	47KΩ 1/10W	
R277	BIRC4730105A00	C RESISTOR	47KΩ 1/10W	
R278	BIRC4730105A00	C RESISTOR	47KΩ 1/10W	
R279	BIRC4730105A00	C RESISTOR	47KΩ 1/10W	
R280	BIRC4730105A00	C RESISTOR	47KΩ 1/10W	
R281	BIRC4730105A00	C RESISTOR	47KΩ 1/10W	
R282	BIRC4730105A00	C RESISTOR	47KΩ 1/10W	
R283	BIRC4730105A00	C RESISTOR	47KΩ 1/10W	
R284	BIRC4730105A00	C RESISTOR	47KΩ 1/10W	
R285	BIRC1810045M00	C RESISTOR	180Ω 1/4W	
R286	BIRC1810045M00	C RESISTOR	180Ω 1/4W	
VR201	BI804401V	ROTARY SW	RE012307PVB30	
L201	BI26100000KM00	FIXED INDUCTOR	10uH	
L202	BI26100000KM00	FIXED INDUCTOR	10uH	
L203	BI18A843556N00	FILTER BEAD	843556	
CN201	BI12S30081X	CONNECTOR	3P	
CN203	BI12P30272X	CONNECTOR WIRE	3P to FRONT CN201	
CW201	BI12S1800071	FFC CONNECTOR	18P	
CW202	BI12P402341V	CONNECTOR WIRE	4P to AMP CN202	
CW205	BI12P30270X	CONNECTOR WIRE	3P MAIN CN205	

Front board (MX-KC45E,MX-KC45EN)

Block No. [0][2]

Symbol No.	Part No.	Part Name	Description	Local
IC201	BI115291X	IC	RPM7138-V4	
IC202	BI116661X	IC	S5G5128A	
D201	1SS133	FR DIODE	BI31SS133M000V 7	
D202	1SS133	FR DIODE	BI31SS133M000V 7	
D206	1SS133	FR DIODE	BI31SS133M000V 7	
D207	1SS133	FR DIODE	BI31SS133M000V 7	
D208	1SS133	FR DIODE	BI31SS133M000V 7	
C201	BICC103500KA02	C CAPACITOR	0.01uF 50V	
C202	BICC103500KA02	C CAPACITOR	0.01uF 50V	
C203	BICE106500MP01	E CAPACITOR	10uF 50V	
C204	BICC102500KA04	C CAPACITOR	1000pF 50V	
C205	BICE226500MP01	E CAPACITOR	22uF 50V	
C207	BICE226500MP01	E CAPACITOR	22uF 50V	
C209	BICC104500KA04	C CAPACITOR	0.1uF 50V	
C211	BICE107500MP01	E CAPACITOR	100uF 50V	
C212	BICC104500KA04	C CAPACITOR	0.1uF 50V	
C213	BICC104500KA04	C CAPACITOR	0.1uF 50V	
C221	BICC102500KA04	C CAPACITOR	1000pF 50V	
C222	BICC102500KA04	C CAPACITOR	1000pF 50V	
C225	BICC104500KA04	C CAPACITOR	0.1uF 50V	
C226	BICC104500KA04	C CAPACITOR	0.1uF 50V	
C227	BICC101500JA04	C CAPACITOR	100pF 50V	
C228	BICC101500JA04	C CAPACITOR	100pF 50V	
C229	BICC101500JA04	C CAPACITOR	100pF 50V	
C230	BICC102500KA04	C CAPACITOR	1000pF 50V	
C231	BICC102500KA04	C CAPACITOR	1000pF 50V	
C233	BICE108063MP01	E CAPACITOR	1000uF 6.3V	
R203	BIRC1030105A00	C RESISTOR	10KΩ 1/10W	
R204	BIRC1030105A00	C RESISTOR	10KΩ 1/10W	
R205	BIRC1010105A00	C RESISTOR	100Ω 1/10W	
R206	BIRC2210105A00	C RESISTOR	220Ω 1/10W	
R207	BIRC0100105A00	C RESISTOR	1Ω 1/10W	
R208	BIRC0100105A00	C RESISTOR	1Ω 1/10W	
R209	BIRC1000085M00	C RESISTOR	10Ω 1/8W	
R210	BIRC2730105A00	C RESISTOR	27KΩ 1/10W	
R212	BIRC1030105A00	C RESISTOR	10KΩ 1/10W	
R213	BIRC1030105A00	C RESISTOR	10KΩ 1/10W	
R214	BIRC1030105A00	C RESISTOR	10KΩ 1/10W	

△ Symbol No.	Part No.	Part Name	Description	Local	△ Symbol No.	Part No.	Part Name	Description	Local
FL201	BI2702381X	FL DISPLAY	HNAC 17LM3 41P		Q616	2SC3052	TRANSISTOR	BI2SC3052FA013 H	
JK201	BI2301211	MINI JACK	CKX-3.5- 25		Q617	2SC3052	TRANSISTOR	BI2SC3052FA013 H	
JK202	BI2301211	MINI JACK	CKX-3.5- 25		Q618	2SC3052	TRANSISTOR	BI2SC3052FA013 H	
LD201	BI28B4541EP01	LED	RED BL-B4541-AV-TBS2		Q619	DTA114YK	DIGI TRANSISTOR	BI2DTA114YKA018	
S201	BI8SKRGAED0P0	TACT SWITCH	SKRGAED010		Q620	DTA114YK	DIGI TRANSISTOR	BI2DTA114YKA018	
S202	BI8SKRGAED0P0	TACT SWITCH	SKRGAED010		Q621	DTA114YK	DIGI TRANSISTOR	BI2DTA114YKA018	
S203	BI8SKRGAED0P0	TACT SWITCH	SKRGAED010		Q622	DTC323TK	DIGI TRANSISTOR	BI2DTC323TKA011	
S204	BI8SKRGAED0P0	TACT SWITCH	SKRGAED010		Q623	DTC323TK	DIGI TRANSISTOR	BI2DTC323TKA011	
S205	BI8SKRGAED0P0	TACT SWITCH	SKRGAED010		Q624	DTA114YK	DIGI TRANSISTOR	BI2DTA114YKA018	
S206	BI8SKRGAED0P0	TACT SWITCH	SKRGAED010		D101	1N4003	DIODE	BI31N4003LEM000	
S207	BI8SKRGAED0P0	TACT SWITCH	SKRGAED010		D102	1N4003	DIODE	BI31N4003LEM000	
S208	BI8SKRGAED0P0	TACT SWITCH	SKRGAED010		D103	1N4003	DIODE	BI31N4003LEM000	
S209	BI8SKRGAED0P0	TACT SWITCH	SKRGAED010		D105	1SS133	FR DIODE	BI31SS133M000V7	
S210	BI8SKRGAED0P0	TACT SWITCH	SKRGAED010		D106	1SS133	FR DIODE	BI31SS133M000V7	
S211	BI8SKRGAED0P0	TACT SWITCH	SKRGAED010		D107	1SS133	FR DIODE	BI31SS133M000V7	
S212	BI8SKRGAED0P0	TACT SWITCH	SKRGAED010		D108	1SS133	FR DIODE	BI31SS133M000V7	
S213	BI8SKRGAED0P0	TACT SWITCH	SKRGAED010		D109	MC2838	DIODE	BI3MC2838A002	
S214	BI8SKRGAED0P0	TACT SWITCH	SKRGAED010		D601	1N4003	DIODE	BI31N4003LEM000	
S215	BI8SKRGAED0P0	TACT SWITCH	SKRGAED010		D602	1N4003	DIODE	BI31N4003LEM000	
S216	BI8SKRGAED0P0	TACT SWITCH	SKRGAED010		D603	1N4003	DIODE	BI31N4003LEM000	
S217	BI8SKRGAED0P0	TACT SWITCH	SKRGAED010		D605	1N4003	DIODE	BI31N4003LEM000	
S218	BI8SKRGAED0P0	TACT SWITCH	SKRGAED010		D606	1N4003	DIODE	BI31N4003LEM000	
S219	BI8SKRGAED0P0	TACT SWITCH	SKRGAED010		D607	UZ12BSC	Z DIODE	BI3UZ12BSCM000V	
S220	BI8SKRGAED0P0	TACT SWITCH	SKRGAED010		D609	UZ30BSD	Z DIODE	BI3UZ30BSDM0000	
S221	BI8SKRGAED0P0	TACT SWITCH	SKRGAED010		D610	UZ6.2BSB	Z DIODE	BI3UZ6.2BSBM000	
S222	BI8SKRGAED0P0	TACT SWITCH	SKRGAED010		D611	UZ5.6BSB	Z DIODE	BI3UZ5.6BSBM000	
S223	BI8SKRGAED0P0	TACT SWITCH	SKRGAED010		D613	1N4003	DIODE	BI31N4003LEM000	
S224	BI8SKRGAED0P0	TACT SWITCH	SKRGAED010		D614	RS402M	SELEN RECTIFIER	BI3RS402M1	
S225	BI8SKRGAED0P0	TACT SWITCH	SKRGAED010		D615	GBU6J	DIODE	BI3GBU6J1V	
S226	BI8SKRGAED0P0	TACT SWITCH	SKRGAED010		D616	UZ12BSC	Z DIODE	BI3UZ12BSCM000V	
S227	BI8SKRGAED0P0	TACT SWITCH	SKRGAED010		D617	UZ12BSC	Z DIODE	BI3UZ12BSCM000V	
S228	BI8SKRGAED0P0	TACT SWITCH	SKRGAED010		D618	1SS133	FR DIODE	BI31SS133M000V7	
XXXXX	BI1206721X	FLAT CABLE	8P CW215 to CW203		D619	1SS133	FR DIODE	BI31SS133M000V7	

Amp board (MX-KC45E,MX-KC45EN)

Block No. [0][3]

△ Symbol No.	Part No.	Part Name	Description	Local	△ Symbol No.	Part No.	Part Name	Description	Local
IC601	BI118201X	IC	STK412-430-E		D620	1SS133	FR DIODE	BI31SS133M000V7	
Q101	2SC3052	TRANSISTOR	BI2SC3052FA013 H		D621	1SS133	FR DIODE	BI31SS133M000V7	
Q111	KTA1273Y	TRANSISTOR	BI2KTA1273YP000		D622	1SS133	FR DIODE	BI31SS133M000V7	
Q112	2SC3052	TRANSISTOR	BI2SC3052FA013 H		D623	1SS133	FR DIODE	BI31SS133M000V7	
Q113	2SC3052	TRANSISTOR	BI2SC3052FA013 H		D624	1SS133	FR DIODE	BI31SS133M000V7	
Q114	KTA1273Y	TRANSISTOR	BI2KTA1273YP000		D625	1SS133	FR DIODE	BI31SS133M000V7	
Q201	2SC3052	TRANSISTOR	BI2SC3052FA013 H		D626	1SS133	FR DIODE	BI31SS133M000V7	
Q601	2SC3052	TRANSISTOR	BI2SC3052FA013 H		D631	1SS133	FR DIODE	BI31SS133M000V7	
Q604	2SB1370	TRANSISTOR	BI22SB1370E7		C101	BICE108250MP01	E CAPACITOR	1000uF 25V	
Q605	2SC3052	TRANSISTOR	BI2SC3052FA013 H		C102	BICE107100MP01	E CAPACITOR	100uF 10V	
Q607	KTA1273Y	TRANSISTOR	BI2KTA1273YP000		C113	BICE107100MP01	E CAPACITOR	100uF 10V	
Q608	2SB1370	TRANSISTOR	BI22SB1370E7		C114	BICE105500MP01	E CAPACITOR	1uF 50V	
Q609	2SC3052	TRANSISTOR	BI2SC3052FA013 H		C115	BICE476160MP01	E CAPACITOR	47uF 16V	
Q610	2SC3052	TRANSISTOR	BI2SC3052FA013 H		C116	BICE107160MP01	E CAPACITOR	100uF 16V	
Q611	DTC323TK	DIGI TRANSISTOR	BI2DTC323TKA011		C117	BICE107160MP01	E CAPACITOR	100uF 16V	
Q612	DTC323TK	DIGI TRANSISTOR	BI2DTC323TKA011		C118	BICE107160MP01	E CAPACITOR	100uF 16V	
Q613	KTA1267GR	TRANSISTOR	BI2KTA1267GP000		C601	BICC104250ZA04	C CAPACITOR	0.1uF 25V	
Q614	KTA1267GR	TRANSISTOR	BI2KTA1267GP000		C602	BICC104250ZA04	C CAPACITOR	0.1uF 25V	
Q615	2SC3052	TRANSISTOR	BI2SC3052FA013 H						

Symbol No.	Part No.	Part Name	Description	Local	Symbol No.	Part No.	Part Name	Description	Local
C603	BICC104250ZA04	C CAPACITOR	0.1uF 25V		R608	BIRC1010085N00	C RESISTOR	100Ω 1/8W	
C604	BICC104250ZA04	C CAPACITOR	0.1uF 25V		R609	BIRC1010085N00	C RESISTOR	100Ω 1/8W	
C605	BICE47825M0	E CAPACITOR	4700uF 25V		R610	BIRC1540105A00	C RESISTOR	150KΩ 1/10W	
C606	BICE105500MP01	E CAPACITOR	1uF 50V		R611	BIRC5630105A00	C RESISTOR	56KΩ 1/10W	
C607	BICE107250MP01	E CAPACITOR	100uF 25V		R612	BIRC4720105A00	C RESISTOR	4.7KΩ 1/10W	
C608	BICC104250ZA04	C CAPACITOR	0.1uF 25V		△ R613	BIRF1010025N00	FUSE RESISTOR	100Ω 1/2W	
C609	BICE107160MP01	E CAPACITOR	100uF 16V		△ R614	BIRF1010025N00	FUSE RESISTOR	100Ω 1/2W	
C610	BICE476630MP01	E CAPACITOR	47uF 63V		R615	BIRC1520025N00	C RESISTOR	1.5KΩ 1/2W	
C611	BICE226500MP01	E CAPACITOR	22uF 50V		R616	BIRC1520025N00	C RESISTOR	1.5KΩ 1/2W	
C612	BICC103500KA04	C CAPACITOR	0.01uF 50V		R617	BIRC5610105A00	C RESISTOR	560Ω 1/10W	
C613	BICE226500MP01	E CAPACITOR	22uF 50V		R618	BIRC0000105A00	C RESISTOR	0Ω 1/10W	
C614	BICE106250MP01	E CAPACITOR	10uF 25V		R619	BIRC3330105A00	C RESISTOR	33KΩ 1/10W	
C615	BICC103500KA04	C CAPACITOR	0.01uF 50V		R620	BIRC3330105A00	C RESISTOR	33KΩ 1/10W	
C616	BICE477100MP01	E CAPACITOR	470uF 10V		R621	BIRC5610105A00	C RESISTOR	560Ω 1/10W	
C617	BICM682101KP01	M CAPACITOR	6800pF 100V		R622	BIRC0000105A00	C RESISTOR	0Ω 1/10W	
C618	BICM682101KP01	M CAPACITOR	6800pF 100V		R623	BIRC3330105A00	C RESISTOR	33KΩ 1/10W	
C619	BICM682101KP01	M CAPACITOR	6800pF 100V		R624	BIRC5630105A00	C RESISTOR	56KΩ 1/10W	
C620	BICM682101KP01	M CAPACITOR	6800pF 100V		R625	BIRC5630105A00	C RESISTOR	56KΩ 1/10W	
C621	BICM682101KP01	M CAPACITOR	6800pF 100V		R626	BIRC4720105A00	C RESISTOR	4.7KΩ 1/10W	
C622	BICM682101KP01	M CAPACITOR	6800pF 100V		R627	BIRC4720105A00	C RESISTOR	4.7KΩ 1/10W	
C623	BICE47850MSNY3	E CAPACITOR	4700uF 50V		R628	BIRC2220105A00	C RESISTOR	2.2KΩ 1/10W	
C624	BICE47850MSNY3	E CAPACITOR	4700uF 50V		R629	BIRC2220105A00	C RESISTOR	2.2KΩ 1/10W	
C625	BICE33871M2Y	E CAPACITOR	3300uF 71V		R630	BIRC3920105A00	C RESISTOR	3.9KΩ 1/10W	
C626	BICE33871M2Y	E CAPACITOR	3300uF 71V		R631	BIRC3920105A00	C RESISTOR	3.9KΩ 1/10W	
C627	BICM682101KP01	M CAPACITOR	6800pF 100V		R632	BIRM001530V	M RESISTOR	0.15Ω 3W	
C628	BICM682101KP01	M CAPACITOR	6800pF 100V		R633	BIRM001530V	M RESISTOR	0.15Ω 3W	
C631	BICE107101MP01	E CAPACITOR	100uF 100V		R634	BIRM001530V	M RESISTOR	0.15Ω 3W	
C632	BICE107101MP01	E CAPACITOR	100uF 100V		R635	BIRM001530V	M RESISTOR	0.15Ω 3W	
C633	BICC101500JA04	C CAPACITOR	100pF 50V		R636	BIRC1020105A00	C RESISTOR	1KΩ 1/10W	
C634	BICC101500JA04	C CAPACITOR	100pF 50V		R637	BIRC1020105A00	C RESISTOR	1KΩ 1/10W	
C635	BICE107100MP01	E CAPACITOR	100uF 10V		R638	BIRC1530105A00	C RESISTOR	15KΩ 1/10W	
C636	BICE107100MP01	E CAPACITOR	100uF 10V		R639	BIRC1530105A00	C RESISTOR	15KΩ 1/10W	
C637	BICC030500CA04	C CAPACITOR	3pF 50V		R640	BIRC0470045N00	C RESISTOR	4.7Ω 1/4W	
C638	BICC030500CA04	C CAPACITOR	3pF 50V		R641	BIRC0470045N00	C RESISTOR	4.7Ω 1/4W	
C639	BICC102500JA04	C CAPACITOR	1000pF 50V		R642	BIRC1020105A00	C RESISTOR	1KΩ 1/10W	
C640	BICC102500JA04	C CAPACITOR	1000pF 50V		R643	BIRC1020105A00	C RESISTOR	1KΩ 1/10W	
C641	BICE475500MP01	E CAPACITOR	4.7uF 50V		R644	BIRC1030105A00	C RESISTOR	10KΩ 1/10W	
C642	BICE475500MP01	E CAPACITOR	4.7uF 50V		R645	BIRC1030105A00	C RESISTOR	10KΩ 1/10W	
C643	BICE475500MP01	E CAPACITOR	4.7uF 50V		R646	BIRC4710105A00	C RESISTOR	470Ω 1/10W	
C644	BICE105500MP01	E CAPACITOR	1uF 50V		R647	BIRC4740105A00	C RESISTOR	470KΩ 1/10W	
C645	BICM104101KP01	M CAPACITOR	0.1uF 100V		R648	BIRC0470045N00	C RESISTOR	4.7Ω 1/4W	
C646	BICM104101KP01	M CAPACITOR	0.1uF 100V		R649	BIRC0470045N00	C RESISTOR	4.7Ω 1/4W	
C647	BICM104101KP01	M CAPACITOR	0.1uF 100V		R650	BIRC1040105A00	C RESISTOR	100KΩ 1/10W	
C648	BICM104101KP01	M CAPACITOR	0.1uF 100V		R651	BIRC1040105A00	C RESISTOR	100KΩ 1/10W	
C649	BICC121500JA04	C CAPACITOR	120pF 50V		R652	BIRC1040105A00	C RESISTOR	100KΩ 1/10W	
C650	BICE476160MP01	E CAPACITOR	47uF 16V		R653	BIRC0000105A00	C RESISTOR	0Ω 1/10W	
C651	BICC223500KA04	C CAPACITOR	0.022uF 50V		R654	BIRC1020105A00	C RESISTOR	1KΩ 1/10W	
C652	BICE226500MP01	E CAPACITOR	22uF 50V		R655	BIRC1030105A00	C RESISTOR	10KΩ 1/10W	
C653	BICE227100MP01	E CAPACITOR	220uF 10V		R656	BIRC1500085M00	C RESISTOR	15Ω 1/8W	
C654	BICE106250MP01	E CAPACITOR	10uF 25V		R657	BIRC6840105A00	C RESISTOR	680KΩ 1/10W	
C655	BICC153500KA04	C CAPACITOR	0.015uF 50V		R658	BIRC4730105A00	C RESISTOR	47KΩ 1/10W	
C656	BICC153500KA04	C CAPACITOR	0.015uF 50V		R659	BIRC2220105A00	C RESISTOR	2.2KΩ 1/10W	
C699	BICC104250ZA04	C CAPACITOR	0.1uF 25V		R660	BIRC3920105A00	C RESISTOR	3.9KΩ 1/10W	
R101	BIRC4720105A00	C RESISTOR	4.7KΩ 1/10W		R661	BIRC1030105A00	C RESISTOR	10KΩ 1/10W	
R102	BIRC2220105A00	C RESISTOR	2.2KΩ 1/10W		R662	BIRC1020105A00	C RESISTOR	1KΩ 1/10W	
R103	BIRC2230105A00	C RESISTOR	22KΩ 1/10W		R663	BIRC1030105A00	C RESISTOR	10KΩ 1/10W	
R104	BIRC2230105A00	C RESISTOR	22KΩ 1/10W		R664	BIRC1020105A00	C RESISTOR	1KΩ 1/10W	
R110	BIRC0220105A00	C RESISTOR	2.2Ω 1/10W		R665	BIRM1020N25N00	M RESISTOR	1KΩ 2W	
R112	BIRC4710105A00	C RESISTOR	470Ω 1/10W		R666	BIRM1020N25N00	M RESISTOR	1KΩ 2W	
R113	BIRC1020105A00	C RESISTOR	1KΩ 1/10W		R669	BIRC1220105A00	C RESISTOR	1.2KΩ 1/10W	
R114	BIRC5600105A00	C RESISTOR	56Ω 1/10W		R671	BIRC1030085M00	C RESISTOR	10KΩ 1/8W J	
R115	BIRC2240105A00	C RESISTOR	220KΩ 1/10W		R672	BIRC3300045M00	C RESISTOR	33Ω 1/4W	
R116	BIRC4730105A00	C RESISTOR	47KΩ 1/10W		R679	BIRC0000105A00	C RESISTOR	0Ω 1/10W	
R117	BIRC4710105A00	C RESISTOR	470Ω 1/10W		R681	BIRC3330085M00	C RESISTOR	33KΩ 1/8W	
R118	BIRC1020105A00	C RESISTOR	1KΩ 1/10W		R682	BIRC3330085M00	C RESISTOR	33KΩ 1/8W	
R119	BIRC1020105A00	C RESISTOR	1KΩ 1/10W		R683	BIRC4730085M00	C RESISTOR	47KΩ 1/8W	
R120	BIRC3330105A00	C RESISTOR	33KΩ 1/10W		R684	BIRC4730105A00	C RESISTOR	47KΩ 1/10W	
R121	BIRC3330105A00	C RESISTOR	33KΩ 1/10W		L601	BI2601141	COIL	3.0uH	
R123	BIRC1020105A00	C RESISTOR	1KΩ 1/10W		L602	BI2601141	COIL	3.0uH	
R124	BIRC1020105A00	C RESISTOR	1KΩ 1/10W		CN202	BI12S40047	CONNECTOR	4P	
R600	BIRC8210105A00	C RESISTOR	820Ω 1/10W		CN602	BI12S20016	CONNECTOR	2P	
R601	BIRC4720105A00	C RESISTOR	4.7KΩ 1/10W		CN603	BI12S300471V	CONNECTOR	3P	
R602	BIRC5600105A00	C RESISTOR	56Ω 1/10W		CN902	BI12S60127X	CONNECTOR	6P	
R605	BIRC1020105A00	C RESISTOR	1KΩ 1/10W		CN903	BI12S80060V	CONNECTOR	8P	
R606	BIRC3320105A00	C RESISTOR	3.3KΩ 1/10W		CW601	BI12S240004V	FFC CONNECTOR	24P	
R607	BIRC2220105A00	C RESISTOR	2.2KΩ 1/10W						

Symbol No.	Part No.	Part Name	Description	Local
	JK601	BI2301571X	TERMINAL SPK	4P
△	RF601	BIRF3300025N00	FUSE RESISTOR	33Ω 1/2W
	RY601	BI8RL00191V	RELAY	DC12V ME-7C-012-3H

Power trans board (MX-KC45E,MX-KC45EN)

Block No. [0][4]

Symbol No.	Part No.	Part Name	Description	Local
	Q901	DTC114YS	DIGI TRANSISTOR	BI2DTC114YKA011
	D901	1SS133	FR DIODE	BI31SS133M000V7
	D902	1SS133	FR DIODE	BI31SS133M000V7
	D903	1SS133	FR DIODE	BI31SS133M000V7
	D904	1SS133	FR DIODE	BI31SS133M000V7
	D905	1SS133	FR DIODE	BI31SS133M000V7
	D906	1SS133	FR DIODE	BI31SS133M000V7
	C901	BICH223250ZM01	C CAPACITOR	0.022uF 25V
	C902	BICH223250ZM01	C CAPACITOR	0.022uF 25V
	C903	BICH223250ZM01	C CAPACITOR	0.022uF 25V
	C904	BICH223250ZM01	C CAPACITOR	0.022uF 25V
	C905	BICE477250MP01	E CAPACITOR	470uF 25V
	C907	BICE335500MP01	E CAPACITOR	3.3uF 50V
△	C951	BICT224275MX	TA CAPACITOR	0.22uF 275V
	R901	BIRC1000085M00	C RESISTOR	10Ω 1/8W
	R902	BIRC4720085M00	C RESISTOR	4.7KΩ 1/8W
△	L901	BI2601102V	LINE FILTER	WIRE
	CW902	BI12P60176X	CONNECTOR WIRE	6P to AMP CN902
	CW903	BI12P80121X	CONNECTOR WIRE	8P to AMP CN903
△	PT902	BI211011142001	POWER TRANS	TG1204000
△	RY901	BI8RL00171V	RELAY	DC9V 250mW KTC3199GR

Main board (MX-KC45A)

Block No. [0][5]

Symbol No.	Part No.	Part Name	Description	Local
	IC301	BI120971X	IC	S3C825C63
	IC302	BI116691X	IC	BU4051B
	IC401	BI112721X	IC	BD3881FV
	IC403	BI101851X	IC	NJM78L05
	IC701	BI116431X	IC	SIL9226X0
	IC702	BI118221X	IC	B5927FM
	IC801	BI118171X	IC	BH18FB1WG
	IC802	BI110891X	IC	KI7808P
	IC803	BI117401X	IC	K4S161622H
	IC804	BI120281X	IC	S5L8310
	Q50	2SC3052	TRANSISTOR	BI2SC3052F013H
	Q302	2SC3052	TRANSISTOR	BI2SC3052F013H
	Q303	DTC114YK	DIGI TRANSISTOR	BI2DTC114YK018
	Q304	2SC1815	TRANSISTOR	BI2SC1815GRP000
	Q401	2SJ460	TRANSISTOR	BI2SJ460P0001
	Q402	2SJ460	TRANSISTOR	BI2SJ460P0001

Symbol No.	Part No.	Part Name	Description	Local
	Q403	2SK2541	TRANSISTOR	BI2SK2541P0001
	Q404	2SK2541	TRANSISTOR	BI2SK2541P0001
	Q405	2SJ460	TRANSISTOR	BI2SJ460P0001
	Q406	2SJ460	TRANSISTOR	BI2SJ460P0001
	Q407	2SK2541	TRANSISTOR	BI2SK2541P0001
	Q408	2SK2541	TRANSISTOR	BI2SK2541P0001
	Q409	2SK2541	TRANSISTOR	BI2SK2541P0001
	Q410	SR2202S	TRANSISTOR	BI2SR2202S00
	Q411	KT1267GR	TRANSISTOR	BI2KT1BI267GP
	Q412	DTC114YK	DIGI TRANSISTOR	BI2DTC114YK018
	Q413	DTC114YK	DIGI TRANSISTOR	BI2DTC114YK018
	Q414	2SC3052	TRANSISTOR	BI2SC3052F013H
	Q415	KT1273	TRANSISTOR	BI2KT1273P0008
	Q416	2SC3052	TRANSISTOR	BI2SC3052F013H
	Q417	KT1273	TRANSISTOR	BI2KT1273P0008
	Q418	DTC114TK	DIGI TRANSISTOR	BI2DTC114TK011
	Q419	KT1273	TRANSISTOR	BI2KT1273P0008
	Q420	2SC3052	TRANSISTOR	BI2SC3052F013H
	Q421	2SC3052	TRANSISTOR	BI2SC3052F013H
	Q422	2SC3052	TRANSISTOR	BI2SC3052F013H
	Q423	KT1267GR	TRANSISTOR	BI2KT1267GP00
	Q424	KTC3199G	TRANSISTOR	BI2KTC3199GP00
	Q425	KTC3199G	TRANSISTOR	BI2KTC3199GP00
	Q433	2SC3052	TRANSISTOR	BI2SC3052F013H
	Q434	2SC5343	TRANSISTOR	BI2SC5343GP0000
	Q435	2SC5343	TRANSISTOR	BI2SC5343GP0000
	Q436	2SC5343	TRANSISTOR	BI2SC5343GP0000
	Q437	2SC3052	TRANSISTOR	BI2SC3052F013H
	Q438	DTC114TK	DIGI TRANSISTOR	BI2DTC114TK011
	Q504	KT1267GR	TRANSISTOR	BI2KT1267GP00
	Q505	DTC114TK	DIGI TRANSISTOR	BI2DTC114TK011
	Q506	KT1267GR	TRANSISTOR	BI2KT1267GP00
	Q507	DTC114TK	DIGI TRANSISTOR	BI2DTC114TK011
	Q508	2SC1815	TRANSISTOR	BI2SC1815GRP000
	Q509	DTC114TK	DIGI TRANSISTOR	BI2DTC114TK011
	Q701	KT1266GR	TRANSISTOR	BI2KT1266GP00
	Q703	KTC3205	TRANSISTOR	BI2KTC3205P0008
	Q704	2SC1815	TRANSISTOR	BI2SC1815GRP000
	D301	1SS133	FR DIODE	BI31SS133M000V7
	D302	1SS133	FR DIODE	BI31SS133M000V7
	D303	1SS133	FR DIODE	BI31SS133M000V7
	D304	1SS133	FR DIODE	BI31SS133M000V7
	D305	1SS133	FR DIODE	BI31SS133M000V7
	D306	UZ4.7BS	Z DIODE	BI3UZ4.7BSM000
	D307	1SS133	FR DIODE	BI31SS133M000V7
	D308	1SS133	FR DIODE	BI31SS133M000V7
	D309	1SS133	FR DIODE	BI31SS133M000V7
	D401	MC2836	DIODE	BI3MC2836002H
	D402	UZ4.7BS	Z DIODE	BI3UZ4.7BSM000
	D403	1SS133	FR DIODE	BI31SS133M000V7
	D404	1SS133	FR DIODE	BI31SS133M000V7
	D405	UZ4.7BS	Z DIODE	BI3UZ4.7BSM000
	D406	1SS133	FR DIODE	BI31SS133M000V7
	D407	1SS133	FR DIODE	BI31SS133M000V7
	D501	1SS133	FR DIODE	BI31SS133M000V7
	D502	1SS133	FR DIODE	BI31SS133M000V7
	D503	1SS133	FR DIODE	BI31SS133M000V7
	D504	1SS133	FR DIODE	BI31SS133M000V7

△ Symbol No.	Part No.	Part Name	Description	Local	△ Symbol No.	Part No.	Part Name	Description	Local
D505	1SS133	FR DIODE	BI31SS133M000V 7		C435	BICC103500K04	C CPCITOR	0.01uF 50V	
D508	1SS133	FR DIODE	BI31SS133M000V 7		C436	BICC103500K04	C CPCITOR	0.01uF 50V	
D509	1SS133	FR DIODE	BI31SS133M000V 7		C437	BICC682500K04	C CPCITOR	6800pF 50V	
D510	1N4002	DIODE	BI31N4002M000V3		C438	BICC104500K04	C CPCITOR	0.1uF 50V	
D511	1SS133	FR DIODE	BI31SS133M000V 7		C439	BICC103500K04	C CPCITOR	0.01uF 50V	
D516	UZ11BSC	Z DIODE	BI3UZ11BSCM000 0		C440	BICE227160MP01	E CPCITOR	220uF 16V	
D517	UZ9.1BSC	Z DIODE	BI3UZ91BSCM000 V		C441	BICC272500K04	C CPCITOR	2700pF	
D710	UZ3.6BSB	Z DIODE	BI3UZ3.6BSBM000		C444	BICC222500K04	C CPCITOR	2200pF 50V	
D711	UZ3.6BSB	Z DIODE	BI3UZ3.6BSBM000		C445	BICE474500MP01	E CPCITOR	0.47uF 50V	
D712	1SS133	FR DIODE	BI31SS133M000V 7		C446	BICC103500K04	C CPCITOR	0.01uF 50V	
D713	1SS133	FR DIODE	BI31SS133M000V 7		C447	BICE107160MP01	E CPCITOR	100uF 16V	
D801	1SS133	FR DIODE	BI31SS133M000V 7		C448	BICC682500K04	C CPCITOR	6800pF 50V	
C301	BICC104500K04	C CPCITOR	0.1uF 50V		C449	BICC103500K04	C CPCITOR	0.01uF 50V	
C302	BICC104500K04	C CPCITOR	0.1uF 50V		C450	BICE475500MP01	E CPCITOR	4.7uF 50V	
C303	BICC223500K04	C CPCITOR	0.022uF 50V		C451	BICE107160MP01	E CPCITOR	100uF 16V	
C304	BICE107100MP01	E CPCITOR	100uF 10V		C453	BICC102500K04	C CPCITOR	1000pF 50V	
C305	BICE108100MP01	E CPCITOR	1000uF 10V		C454	BICC102500K04	C CPCITOR	1000pF 50V	
C306	BICE476250MP01	E CPCITOR	47uF 25V		C458	BICE476160MP01	E CPCITOR	47uF 16V	
C307	BICC104500K04	C CPCITOR	0.1uF 50V		C459	BICE224500MP01	E CPCITOR	0.22uF 50V	
C308	BICC104500K04	C CPCITOR	0.1uF 50V		C460	BICE224500MP01	E CPCITOR	0.22uF 50V	
C311	BICC270500J04	C CPCITOR	27pF 50V		C496	BICC683160K04	C CPCITOR	0.068uF 16V	
C312	BICC240500J04	C CPCITOR	24pF		C497	BICC683160K04	C CPCITOR	0.068uF 16V	
C313	BICC330500J04	C CPCITOR	33pF 50V		C501	BICE226250MP01	E CPCITOR	22uF 25V	
C314	BICC102500K04	C CPCITOR	1000pF 50V		C502	BICE107100MP01	E CPCITOR	100uF 10V	
C315	BICC220500J04	C CPCITOR	22pF 50V		C503	BICM682101KP01	M CPCITOR	6800pF 100V	
C316	BICC220500J04	C CPCITOR	22pF 50V		C518	BICC272500K04	C CPCITOR	2700pF	
C317	BICC104500K02	C CPCITOR	0.1uF 50V		C520	BICC272500K04	C CPCITOR	2700pF	
C318	BICE105500MP01	E CPCITOR	1uF 50V		C521	BICC561500K04	C CPCITOR	560pF 50V	
C319	BICC104500K02	C CPCITOR	0.1uF 50V		C524	BICE105500MP01	E CPCITOR	1uF 50V	
C322	BICC101500J04	C CPCITOR	100pF 50V		C525	BICE475500MP01	E CPCITOR	4.7uF 50V	
C323	BICC101500J04	C CPCITOR	100pF 50V		C526	BICE105500MP01	E CPCITOR	1uF 50V	
C324	BICC101500J04	C CPCITOR	100pF 50V		C527	BICE226250MP01	E CPCITOR	22uF 25V	
C325	BICC101500J04	C CPCITOR	100pF 50V		C528	BICE476160MP01	E CPCITOR	47uF 16V	
C326	BICC101500J04	C CPCITOR	100pF 50V		C535	BICE476160MP01	E CPCITOR	47uF 16V	
C401	BICC122500K04	C CPCITOR	1200pF 50V		C536	BICC102500K04	C CPCITOR	1000pF 50V	
C402	BICC122500K04	C CPCITOR	1200pF 50V		C539	BICC102500K04	C CPCITOR	1000pF 50V	
C403	BICC470500J04	C CPCITOR	47pF 50V		C540	BICC101500J04	C CPCITOR	100pF 50V	
C404	BICC470500J04	C CPCITOR	47pF 50V		C541	BICC101500J04	C CPCITOR	100pF 50V	
C405	BICE226100MP01	E CPCITOR	22uF 10V		C542	BICE105500MP01	E CPCITOR	1uF 50V	
C406	BICE226100MP01	E CPCITOR	22uF 10V		C543	BICE105500MP01	E CPCITOR	1uF 50V	
C407	BICE225500MP01	E CPCITOR	2.2uF 50V		C544	BICE475500MP01	E CPCITOR	4.7uF 50V	
C408	BICC471500K04	C CPCITOR	470pF 50V		C545	BICE475500MP01	E CPCITOR	4.7uF 50V	
C409	BICC103500K04	C CPCITOR	0.01uF 50V		C546	BICE104500MP01	E CPCITOR	0.1uF 50V	
C410	BICC103500K04	C CPCITOR	0.01uF 50V		C547	BICE104500MP01	E CPCITOR	0.1uF 50V	
C411	BICC181500J04	C CPCITOR	180pF 50V		C557	BICE107100MP01	E CPCITOR	100uF 10V	
C412	BICC181500J04	C CPCITOR	180pF 50V		C558	BICC103500K04	C CPCITOR	0.01uF 50V	
C413	BICE107100MP01	E CPCITOR	100uF 10V		C701	BICC104500K04	C CPCITOR	0.1uF 50V	
C414	BICC561500K04	C CPCITOR	560pF 50V		C702	BICC104500K04	C CPCITOR	0.1uF 50V	
C415	BICC561500K04	C CPCITOR	560pF 50V		C703	BICC102500K04	C CPCITOR	1000pF 50V	
C416	BICC332500K04	C CPCITOR	3300pF 50V		C704	BICE476160MP01	E CPCITOR	47uF 16V	
C417	BICE227160MP01	E CPCITOR	220uF 16V		C705	BICC102500K04	C CPCITOR	1000pF 50V	
C418	BICE225500MP01	E CPCITOR	2.2uF 50V		C706	BICC102500K04	C CPCITOR	1000pF 50V	
C419	BICC332500K04	C CPCITOR	3300pF 50V		C707	BICC103500K04	C CPCITOR	0.01uF 50V	
C420	BICE104500MP01	E CPCITOR	0.1uF 50V		C708	BICC473500K04	C CPCITOR	0.047uF 50V	
C421	BICC101500J04	C CPCITOR	100pF 50V		C709	BICE107100MP01	E CPCITOR	100uF 10V	
C422	BICE474500MP01	E CPCITOR	0.47uF 50V		C710	BICE107100MP01	E CPCITOR	100uF 10V	
C423	BICC104500K04	C CPCITOR	0.1uF 50V		C711	BICC040500C04	C CPCITOR	4pF 50V	
C424	BICC104500K04	C CPCITOR	0.1uF 50V		C712	BICC100500D04	C CPCITOR	10pF 50V	
C425	BICE104500MP01	E CPCITOR	0.1uF 50V		C713	BICC682500K04	C CPCITOR	6800pF 50V	
C426	BICC122500K04	C CPCITOR	1200pF 50V		C714	BICC103500K04	C CPCITOR	0.01uF 50V	
C427	BICC181500J04	C CPCITOR	180pF 50V		C715	BICE475500MP01	E CPCITOR	4.7uF 50V	
C428	BICE227160MP01	E CPCITOR	220uF 16V		C716	BICC104500K04	C CPCITOR	0.1uF 50V	
C429	BICC122500K04	C CPCITOR	1200pF 50V		C717	BICC104500K04	C CPCITOR	0.1uF 50V	
C430	BICC102500K04	C CPCITOR	1000pF 50V		C718	BICC102500K04	C CPCITOR	1000pF 50V	
C431	BICE107100MP01	E CPCITOR	100uF 10V		C719	BICC104500K04	C CPCITOR	0.1uF 50V	
C432	BICC103500K04	C CPCITOR	0.01uF 50V		C720	BICC332500K04	C CPCITOR	0.033uF 25V	
C433	BICC222500K04	C CPCITOR	2200pF 50V		C721	BICC474100K04	C CPCITOR	0.47uF 10V	
C434	BICC181500J04	C CPCITOR	180pF 50V		C722	BICC332500K04	C CPCITOR	3300pF 50V	
					C723	BICC474100K04	C CPCITOR	0.47uF 10V	
					C724	BICC103500K04	C CPCITOR	0.01uF 50V	
					C725	BICC683160K04	C CPCITOR	0.068uF 16V	
					C726	BICE106160MP01	E CPCITOR	10uF 16V	
					C727	BICC683160K04	C CPCITOR	0.068uF 16V	
					C728	BICC331500K04	C CPCITOR	330pF 50V	
					C729	BICC102500K04	C CPCITOR	1000pF 50V	
					C730	BICC222500K04	C CPCITOR	2200pF 50V	
					C731	BICC332500K04	C CPCITOR	0.033uF 25V	

Symbol No.	Part No.	Part Name	Description	Local	Symbol No.	Part No.	Part Name	Description	Local
C732	BICC104500K04	C CPCITOR	0.1uF 50V		R330	BIRC2220085M00	C RESISTOR	2.2KΩ 1/8W	
C733	BICC104500K04	C CPCITOR	0.1uF 50V		R331	BIRC2220085M00	C RESISTOR	2.2KΩ 1/8W	
C759	BICC104500K04	C CPCITOR	0.1uF 50V		R332	BIRC2220085M00	C RESISTOR	2.2KΩ 1/8W	
C763	BICE107100MP01	E CPCITOR	100uF 10V		R333	BIRC1820085M00	C RESISTOR	1.8KΩ 1/8W	
C764	BICC104500K04	C CPCITOR	0.1uF 50V		R334	BIRC223010500	C RESISTOR	22KΩ 1/10W	
C765	BICE108100MP01	E CPCITOR	1000uF 10V		R335	BIRC223010500	C RESISTOR	22KΩ 1/10W	
C766	BICC104500K04	C CPCITOR	0.1uF 50V		R336	BIRC223010500	C RESISTOR	22KΩ 1/10W	
C767	BICE107100MP01	E CPCITOR	100uF 10V		R337	BIRC101010500	C RESISTOR	100Ω 1/10W	
C768	BICC102500K04	C CPCITOR	1000pF 50V		R338	BIRC101010500	C RESISTOR	100Ω 1/10W	
C769	BICE476250MP01	E CPCITOR	47uF 25V		R340	BIRC4710085M00	C RESISTOR	470Ω 1/8W	
C770	BICC391500J04	C CPCITOR	390pF 50V		R341	BIRC1020085M00	C RESISTOR	1KΩ 1/8W J	
C771	BICC391500J04	C CPCITOR	390pF 50V		R342	BIRC2210085M00	C RESISTOR	220Ω 1/8W	
C772	BICC391500J04	C CPCITOR	390pF 50V		R343	BIRC2210085M00	C RESISTOR	220Ω 1/8W	
C773	BICC391500J04	C CPCITOR	390pF 50V		R344	BIRC2210085M00	C RESISTOR	220Ω 1/8W	
C774	BICC102500K04	C CPCITOR	1000pF 50V		R345	BIRC1020085M00	C RESISTOR	1KΩ 1/8W J	
C803	BICE107100MP01	E CPCITOR	100uF 10V		R346	BIRC1010085M00	C RESISTOR	100Ω 1/8W J	
C804	BICC104500K04	C CPCITOR	0.1uF 50V		R347	BIRC1010085M00	C RESISTOR	100Ω 1/8W J	
C805	BICC270500J04	C CPCITOR	27pF 50V		R348	BIRC1020085M00	C RESISTOR	1KΩ 1/8W J	
C806	BICC270500J04	C CPCITOR	27pF 50V		R349	BIRC1020085N00	C RESISTOR	1KΩ 1/8W	
C807	BICC104500K04	C CPCITOR	0.1uF 50V		R350	BIRC1020085M00	C RESISTOR	1KΩ 1/8W J	
C808	BICE107100MP01	E CPCITOR	100uF 10V		R351	BIRC1020085M00	C RESISTOR	1KΩ 1/8W J	
C809	BICC104500K04	C CPCITOR	0.1uF 50V		R352	BIRC000010500	C RESISTOR	0Ω 1/10W	
C810	BICC122500K04	C CPCITOR	1200pF 50V		R353	BIRC102010500	C RESISTOR	1KΩ 1/10W	
C811	BICC122500K04	C CPCITOR	1200pF 50V		R354	BIRC102010500	C RESISTOR	1KΩ 1/10W	
C812	BICC122500K04	C CPCITOR	1200pF 50V		R357	BIRC1010085M00	C RESISTOR	100Ω 1/8W J	
C813	BICC104500K04	C CPCITOR	0.1uF 50V		R358	BIRC1010085M00	C RESISTOR	100Ω 1/8W J	
C814	BICE107100MP01	E CPCITOR	100uF 10V		R359	BIRC1010085M00	C RESISTOR	100Ω 1/8W J	
C815	BICE107100MP01	E CPCITOR	100uF 10V		R360	BIRC221010500	C RESISTOR	220Ω 1/10W	
C816	BICE475500MP01	E CPCITOR	4.7uF 50V		R361	BIRC471010500	C RESISTOR	470Ω 1/10W	
C817	BICE475500MP01	E CPCITOR	4.7uF 50V		R362	BIRC471010500	C RESISTOR	470Ω 1/10W	
C818	BICC102500K04	C CPCITOR	1000pF 50V		R363	BIRC4710085M00	C RESISTOR	470Ω 1/8W	
C819	BICC102500K04	C CPCITOR	1000pF 50V		R365	BIRC101010500	C RESISTOR	100Ω 1/10W	
C820	BICC104500K04	C CPCITOR	0.1uF 50V		R366	BIRC1010085M00	C RESISTOR	100Ω 1/8W J	
C821	BICC104500K04	C CPCITOR	0.1uF 50V		R367	BIRC4720085M00	C RESISTOR	4.7KΩ 1/8W	
C822	BICC104500K04	C CPCITOR	0.1uF 50V		R368	BIRC1540085M00	C RESISTOR	150KΩ 1/8W	
C823	BICC104500K04	C CPCITOR	0.1uF 50V		R369	BIRC101010500	C RESISTOR	100Ω 1/10W	
C824	BICC104500K02	C CPCITOR	0.1uF 50V		R371	BIRC473010500	C RESISTOR	47KΩ 1/10W	
C825	BICC104500K02	C CPCITOR	0.1uF 50V		R373	BIRC000010500	C RESISTOR	0Ω 1/10W	
C826	BICC104500K04	C CPCITOR	0.1uF 50V		R374	BIRC000010500	C RESISTOR	0Ω 1/10W	
C827	BICC104500K04	C CPCITOR	0.1uF 50V		R375	BIRC000010500	C RESISTOR	0Ω 1/10W	
C828	BICC104500K04	C CPCITOR	0.1uF 50V		R376	BIRC000010500	C RESISTOR	0Ω 1/10W	
C829	BICC104500K04	C CPCITOR	0.1uF 50V		R377	BIRC222010500	C RESISTOR	2.2KΩ 1/10W	
C830	BICC104500K04	C CPCITOR	0.1uF 50V		R378	BIRC222010500	C RESISTOR	2.2KΩ 1/10W	
C831	BICC104500K04	C CPCITOR	0.1uF 50V		R380	BIRC222010500	C RESISTOR	2.2KΩ 1/10W	
C832	BICC100500D04	C CPCITOR	10pF 50V		R382	BIRC103010500	C RESISTOR	10KΩ 1/10W	
C833	BICC330500J04	C CPCITOR	33pF 50V		R384	BIRC332010500	C RESISTOR	3.3KΩ 1/10W	
C850	BICC104500K04	C CPCITOR	0.1uF 50V		R385	BIRC102010500	C RESISTOR	1KΩ 1/10W	
R301	BIRC471010500	C RESISTOR	470Ω 1/10W		R386	BIRC911010500	C RESISTOR	0Ω	
R302	BIRC101010500	C RESISTOR	100Ω 1/10W		R387	BIRC1030085M00	C RESISTOR	10KΩ 1/8W J	
R303	BIRC101010500	C RESISTOR	100Ω 1/10W		R388	BIRC2220085N00	C RESISTOR	2.2KΩ 1/8W	
R304	BIRC101010500	C RESISTOR	100Ω 1/10W		R390	BIRC473010500	C RESISTOR	47KΩ 1/10W	
R305	BIRC101010500	C RESISTOR	100Ω 1/10W		R391	BIRC684010500	C RESISTOR	680KΩ 1/10W	
R306	BIRC101010500	C RESISTOR	100Ω 1/10W		R392	BIRC1030085M00	C RESISTOR	10KΩ 1/8W J	
R307	BIRC101010500	C RESISTOR	100Ω 1/10W		R393	BIRC103010500	C RESISTOR	10KΩ 1/10W	
R308	BIRC101010500	C RESISTOR	100Ω 1/10W		R394	BIRC103010500	C RESISTOR	10KΩ 1/10W	
R309	BIRC101010500	C RESISTOR	100Ω 1/10W		R395	BIRC103010500	C RESISTOR	10KΩ 1/10W	
R310	BIRC101010500	C RESISTOR	100Ω 1/10W		R396	BIRC102010500	C RESISTOR	1KΩ 1/10W	
R311	BIRC101010500	C RESISTOR	100Ω 1/10W		R397	BIRC102010500	C RESISTOR	1KΩ 1/10W	
R312	BIRC101010500	C RESISTOR	100Ω 1/10W		R398	BIRC102010500	C RESISTOR	1KΩ 1/10W	
R313	BIRC101010500	C RESISTOR	100Ω 1/10W		R399	BIRC223010500	C RESISTOR	22KΩ 1/10W	
R314	BIRC102010500	C RESISTOR	1KΩ 1/10W		R401	BIRC393010500	C RESISTOR	39KΩ 1/10W	
R315	BIRC101010500	C RESISTOR	100Ω 1/10W		R402	BIRC393010500	C RESISTOR	39KΩ 1/10W	
R316	BIRC101010500	C RESISTOR	100Ω 1/10W		R403	BIRC1010085M00	C RESISTOR	100Ω 1/8W J	
R317	BIRC101010500	C RESISTOR	100Ω 1/10W		R404	BIRC101010500	C RESISTOR	100Ω 1/10W	
R318	BIRC101010500	C RESISTOR	100Ω 1/10W		R405	BIRC151010500	C RESISTOR	150Ω 1/10W	
R319	BIRC1010085M00	C RESISTOR	100Ω 1/8W J		R406	BIRC151010500	C RESISTOR	150Ω 1/10W	
R320	BIRC1010085M00	C RESISTOR	100Ω 1/8W J		R409	BIRC3940085M00	C RESISTOR	390KΩ 1/8W	
R321	BIRC1010085M00	C RESISTOR	100Ω 1/8W J		R410	BIRC394010500	C RESISTOR	390KΩ 1/10W	
R322	BIRC1010085M00	C RESISTOR	100Ω 1/8W J		R411	BIRC122010500	C RESISTOR	1.2KΩ 1/10W	
R323	BIRC1010085M00	C RESISTOR	100Ω 1/8W J		R412	BIRC122010500	C RESISTOR	1.2KΩ 1/10W	
R324	BIRC1010085M00	C RESISTOR	100Ω 1/8W J		R413	BIRC183010500	C RESISTOR	18KΩ 1/10W	
R325	BIRC1040085M00	C RESISTOR	100KΩ 1/8W		R414	BIRC183010500	C RESISTOR	18KΩ 1/10W	
R326	BIRC000010500	C RESISTOR	0Ω 1/10W		R417	BIRC5600045M00	C RESISTOR	56Ω 1/4W	
R327	BIRC1010085M00	C RESISTOR	100Ω 1/8W J		R418	BIRC102010500	C RESISTOR	1KΩ 1/10W	
R328	BIRC1010085M00	C RESISTOR	100Ω 1/8W J		R419	BIRC0820045M00	C RESISTOR	8.2Ω 1/4W	
R329	BIRC2220085M00	C RESISTOR	2.2KΩ 1/8W		R420	BIRC102010500	C RESISTOR	1KΩ 1/10W	
					R421	BIRC823010500	C RESISTOR	82KΩ 1/10W	

Symbol No.	Part No.	Part Name	Description	Local	Symbol No.	Part No.	Part Name	Description	Local
R422	BIRC823010500	C RESISTOR	82KΩ 1/10W		R523	BIRC222010500	C RESISTOR	2.2KΩ 1/10W	
R423	BIRC224010500	C RESISTOR	220KΩ 1/10W		R525	BIRC104010500	C RESISTOR	100KΩ 1/10W	
R424	BIRC223010500	C RESISTOR	22KΩ 1/10W		R526	BIRC104010500	C RESISTOR	100KΩ 1/10W	
R425	BIRC222010500	C RESISTOR	2.2KΩ 1/10W		R528	BIRC103010500	C RESISTOR	10KΩ 1/10W	
R426	BIRC222010500	C RESISTOR	2.2KΩ 1/10W		R533	BIRC103010500	C RESISTOR	10KΩ 1/10W	
R427	BIRC222010500	C RESISTOR	2.2KΩ 1/10W		R537	BIRC392010500	C RESISTOR	3.9KΩ 1/10W	
R428	BIRC1230085M00	C RESISTOR	12 KΩ 1/8W		R538	BIRC222010500	C RESISTOR	2.2KΩ 1/10W	
R429	BIRC1230085M00	C RESISTOR	12 KΩ 1/8W		R539	BIRC222010500	C RESISTOR	2.2KΩ 1/10W	
R430	BIRC182010500	C RESISTOR	1.8KΩ 1/10W		R540	BIRC472010500	C RESISTOR	4.7KΩ 1/10W	
R431	BIRC222010500	C RESISTOR	2.2KΩ 1/10W		R541	BIRC472010500	C RESISTOR	4.7KΩ 1/10W	
R432	BIRC1520085M00	C RESISTOR	1.5KΩ 1/8W		R542	BIRC103010500	C RESISTOR	10KΩ 1/10W	
R433	BIRC103010500	C RESISTOR	10KΩ 1/10W		R543	BIRC103010500	C RESISTOR	10KΩ 1/10W	
R434	BIRC102010500	C RESISTOR	1KΩ 1/10W		R546	BIRC562010500	C RESISTOR	5.6KΩ 1/10W	
R435	BIRC102010500	C RESISTOR	1KΩ 1/10W		R547	BIRC562010500	C RESISTOR	5.6KΩ 1/10W	
R436	BIRC102010500	C RESISTOR	1KΩ 1/10W		R548	BIRC471010500	C RESISTOR	470Ω 1/10W	
R437	BIRC102010500	C RESISTOR	1KΩ 1/10W		R549	BIRC471010500	C RESISTOR	470Ω 1/10W	
R438	BIRC222010500	C RESISTOR	2.2KΩ 1/10W		R550	BIRC392010500	C RESISTOR	3.9KΩ 1/10W	
R439	BIRC182010500	C RESISTOR	1.8KΩ 1/10W		R557	BIRC103010500	C RESISTOR	10KΩ 1/10W	
R440	BIRC153010500	C RESISTOR	15KΩ 1/10W		R558	BIRC472010500	C RESISTOR	4.7KΩ 1/10W	
R441	BIRC153010500	C RESISTOR	15KΩ 1/10W		R559	BIRC473010500	C RESISTOR	47KΩ 1/10W	
R442	BIRC222010500	C RESISTOR	2.2KΩ 1/10W		R560	BIRC223010500	C RESISTOR	22KΩ 1/10W	
R443	BIRC222010500	C RESISTOR	2.2KΩ 1/10W		R561	BIRC223010500	C RESISTOR	22KΩ 1/10W	
R444	BIRC3320085M00	C RESISTOR	3.3KΩ 1/8W		R562	BIRC223010500	C RESISTOR	22KΩ 1/10W	
R445	BIRC472010500	C RESISTOR	4.7KΩ 1/10W		R563	BIRC471010500	C RESISTOR	470Ω 1/10W	
R446	BIRC151010500	C RESISTOR	150Ω 1/10W		R566	BIRC682010500	C RESISTOR	6.8KΩ 1/10W	
R447	BIRC3320085M00	C RESISTOR	3.3KΩ 1/8W		R567	BIRC332010500	C RESISTOR	3.3KΩ 1/10W	
R448	BIRC472010500	C RESISTOR	4.7KΩ 1/10W		R570	BIRC472010500	C RESISTOR	4.7KΩ 1/10W	
R449	BIRC151010500	C RESISTOR	150Ω 1/10W		R571	BIRC4710045M00	C RESISTOR	470Ω 1/4W	
R450	BIRC332010500	C RESISTOR	3.3KΩ 1/10W		R572	BIRC4720085M00	C RESISTOR	4.7KΩ 1/8W	
R451	BIRC102010500	C RESISTOR	1KΩ 1/10W		R573	BIRC2210085M00	C RESISTOR	220Ω 1/8W	
R452	BIRC4720085M00	C RESISTOR	4.7KΩ 1/8W		R574	BIRC103010500	C RESISTOR	10KΩ 1/10W	
R453	BIRC1220085M00	C RESISTOR	1.2KΩ 1/8W		R575	BIRC1010085M00	C RESISTOR	100Ω 1/8W J	
R454	BIRC1010085M00	C RESISTOR	100Ω 1/8W J		R576	BIRC2220085M00	C RESISTOR	2.2KΩ 1/8W	
R455	BIRC473010500	C RESISTOR	47KΩ 1/10W		R577	BIRC2220085M00	C RESISTOR	2.2KΩ 1/8W	
R456	BIRC223010500	C RESISTOR	22KΩ 1/10W		R578	BIRC4710045M00	C RESISTOR	470Ω 1/4W	
R457	BIRC4720085M00	C RESISTOR	4.7KΩ 1/8W		R579	BIRC4700085M00	C RESISTOR	47Ω 1/8W	
R458	BIRC103010500	C RESISTOR	10KΩ 1/10W		R580	BIRC104010500	C RESISTOR	100KΩ 1/10W	
R459	BIRC222010500	C RESISTOR	2.2KΩ 1/10W		R581	BIRC332010500	C RESISTOR	3.3KΩ 1/10W	
R460	BIRC183010500	C RESISTOR	18KΩ 1/10W		R585	BIRC000010500	C RESISTOR	0Ω 1/10W	
R461	BIRC183010500	C RESISTOR	18KΩ 1/10W		R586	BIRC000010500	C RESISTOR	0Ω 1/10W	
R462	BIRC473010500	C RESISTOR	47KΩ 1/10W		R597	BIRC4710045M00	C RESISTOR	470Ω 1/4W	
R463	BIRC102010500	C RESISTOR	1KΩ 1/10W		R598	BIRC2210085M00	C RESISTOR	220Ω 1/8W	
R464	BIRC102010500	C RESISTOR	1KΩ 1/10W		R701	BIRC082010500	C RESISTOR	8.2Ω 1/10W	
R465	BIRC683010500	C RESISTOR	68KΩ 1/10W		R702	BIRC823010500	C RESISTOR	82KΩ 1/10W	
R467	BIRC222010500	C RESISTOR	2.2KΩ 1/10W		R703	BIRC393010500	C RESISTOR	39KΩ 1/10W	
R468	BIRC222010500	C RESISTOR	2.2KΩ 1/10W		R704	BIRC393010500	C RESISTOR	39KΩ 1/10W	
R469	BIRC103010500	C RESISTOR	10KΩ 1/10W		R705	BIRC393010500	C RESISTOR	39KΩ 1/10W	
R471	BIRC123010500	C RESISTOR	12KΩ 1/10W		R706	BIRC393010500	C RESISTOR	39KΩ 1/10W	
R472	BIRC563010500	C RESISTOR	56KΩ 1/10W		R707	BIRC823010500	C RESISTOR	82KΩ 1/10W	
R478	BIRC2220085N00	C RESISTOR	2.2KΩ 1/8W		R708	BIRC394010500	C RESISTOR	390KΩ 1/10W	
R479	BIRC1200045M00	C RESISTOR	12Ω 1/4W		R709	BIRC472010500	C RESISTOR	4.7KΩ 1/10W	
R480	BIRC272010500	C RESISTOR	2.7KΩ 1/10W		R710	BIRC101010500	C RESISTOR	100Ω 1/10W	
R481	BIRC272010500	C RESISTOR	2.7KΩ 1/10W		R711	BIRC822010500	C RESISTOR	8.2KΩ 1/10W	
R482	BIRC473010500	C RESISTOR	47KΩ 1/10W		R714	BIRC103010500	C RESISTOR	10KΩ 1/10W	
R483	BIRC473010500	C RESISTOR	47KΩ 1/10W		R715	BIRC183010500	C RESISTOR	18KΩ 1/10W	
R484	BIRC471010500	C RESISTOR	470Ω 1/10W		R716	BIRC223010500	C RESISTOR	22KΩ 1/10W	
R501	BIRC1530085M00	C RESISTOR	15KΩ 1/8W		R717	BIRC105010500	C RESISTOR	1MΩ 1/10W	
R502	BIRC1540085M00	C RESISTOR	15KΩ 1/8W		R718	BIRC103010500	C RESISTOR	10KΩ 1/10W	
R503	BIRC2230085M00	C RESISTOR	22KΩ 1/8W		R719	BIRC562010500	C RESISTOR	5.6KΩ 1/10W	
R504	BIRC2230085M00	C RESISTOR	22KΩ 1/8W		R720	BIRC102010500	C RESISTOR	1KΩ 1/10W	
R505	BIRC393010500	C RESISTOR	39KΩ 1/10W		R721	BIRC103010500	C RESISTOR	10KΩ 1/10W	
R506	BIRC393010500	C RESISTOR	39KΩ 1/10W		R722	BIRC103010500	C RESISTOR	10KΩ 1/10W	
R507	BIRC222010500	C RESISTOR	2.2KΩ 1/10W		R723	BIRC683010500	C RESISTOR	68KΩ 1/10W	
R508	BIRC4720085M00	C RESISTOR	4.7KΩ 1/8W		R724	BIRC563010500	C RESISTOR	56KΩ 1/10W	
R509	BIRC683010500	C RESISTOR	68KΩ 1/10W		R725	BIRC153010500	C RESISTOR	15KΩ 1/10W	
R510	BIRC563010500	C RESISTOR	56KΩ 1/10W		R726	BIRC473010500	C RESISTOR	47KΩ 1/10W	
R511	BIRC4720085M00	C RESISTOR	4.7KΩ 1/8W		R727	BIRC823010500	C RESISTOR	82KΩ 1/10W	
R512	BIRC2220085M00	C RESISTOR	2.2KΩ 1/8W		R728	BIRC393010500	C RESISTOR	39KΩ 1/10W	
R513	BIRC562010500	C RESISTOR	5.6KΩ 1/10W		R729	BIRC394010500	C RESISTOR	390KΩ 1/10W	
R514	BIRC104010500	C RESISTOR	100KΩ 1/10W		R730	BIRC124010500	C RESISTOR	120KΩ 1/10W	
R515	BIRC104010500	C RESISTOR	100KΩ 1/10W		R731	BIRC104010500	C RESISTOR	100KΩ 1/10W	
R516	BIRC105010500	C RESISTOR	1MΩ 1/10W		R732	BIRC473010500	C RESISTOR	47KΩ 1/10W	
R517	BIRC100010500	C RESISTOR	10Ω 1/10W		R750	BIRC820010500	C RESISTOR	82KΩ 1/10W	
R518	BIRC104010500	C RESISTOR	100KΩ 1/10W		R751	BIRC101010500	C RESISTOR	100Ω 1/10W	
R519	BIRC104010500	C RESISTOR	100KΩ 1/10W		R752	BIRC133010500	C RESISTOR	13KΩ 1/10W	
R520	BIRC103010500	C RESISTOR	10KΩ 1/10W		R753	BIRC133010500	C RESISTOR	13KΩ 1/10W	
R521	BIRC000010500	C RESISTOR	0Ω 1/10W		R754	BIRC133010500	C RESISTOR	13KΩ 1/10W	

Symbol No.	Part No.	Part Name	Description	Local
R755	BIRC133010500	C RESISTOR	13KΩ 1/10W	
R756	BIRC1020085N00	C RESISTOR	1KΩ 1/8W	
R757	BIRC1020085N00	C RESISTOR	1KΩ 1/8W	
R758	BIRC181010500	C RESISTOR	180Ω 1/10W	
R759	BIRC103010500	C RESISTOR	10KΩ 1/10W	
R760	BIRC103010500	C RESISTOR	10KΩ 1/10W	
R761	BIRC682010500	C RESISTOR	6.8KΩ 1/10W	
R762	BIRC1020085M00	C RESISTOR	1KΩ 1/8W J	
R763	BIRC202010500	C RESISTOR	2KΩ 1/10W	
R764	BIRC0100025N00	C RESISTOR	1Ω 1/2W	
R780	BIRC101010500	C RESISTOR	100Ω 1/10W	
R781	BIRC101010500	C RESISTOR	100Ω 1/10W	
R782	BIRC101010500	C RESISTOR	100Ω 1/10W	
R801	BIRC121010500	C RESISTOR	120Ω 1/10W	
R802	BIRC1010085M00	C RESISTOR	100Ω 1/8W J	
R803	BIRC1010085M00	C RESISTOR	100Ω 1/8W J	
R804	BIRC105010500	C RESISTOR	1MΩ 1/10W	
R805	BIRC101010500	C RESISTOR	100Ω 1/10W	
R806	BIRC101010500	C RESISTOR	100Ω 1/10W	
R807	BIRC101010500	C RESISTOR	100Ω 1/10W	
R808	BIRC104010500	C RESISTOR	100KΩ 1/10W	
R809	BIRC104010500	C RESISTOR	100KΩ 1/10W	
R810	BIRC101010500	C RESISTOR	100Ω 1/10W	
R811	BIRC101010500	C RESISTOR	100Ω 1/10W	
R814	BIRC1210085M00	C RESISTOR	120Ω 1/8W	
R815	BIRC102010500	C RESISTOR	1KΩ 1/10W	
R816	BIRC101010500	C RESISTOR	100Ω 1/10W	
R817	BIRC101010500	C RESISTOR	100Ω 1/10W	
R821	BIRC1020085M00	C RESISTOR	1KΩ 1/8W J	
R850	BIRC102010500	C RESISTOR	1KΩ 1/10W	
L301	BI26100000KN00	FIXED INDUCTOR	10uH	
L302	BI18843556N00	FILTER BED	843556	
L304	BI1891612100	FERRITE BED	120Ω	
L501	BI18843556N00	FILTER BED	843556	
L503	BI18843556N00	FILTER BED	843556	
L505	BICH103500KM01	C CPCITOR	0.01uF 50V	
L509	BI18843556N00	FILTER BED	843556	
L702	BI26100000KN00	FIXED INDUCTOR	10uH	
L801	BI26100000KN00	FIXED INDUCTOR	10uH	
L802	BI26100000KN00	FIXED INDUCTOR	10uH	
L803	BI26100000KN00	FIXED INDUCTOR	10uH	
L804	BI26100000KN00	FIXED INDUCTOR	10uH	
L805	BI26100000KN00	FIXED INDUCTOR	10uH	
L806	BIRC000010500	C RESISTOR	0Ω 1/10W	
L807	BI18843556N00	FILTER BED	843556	
L808	BI18843556N00	FILTER BED	843556	
T401	BI603141V	COIL OSC		
CN201	BI12S1800061V	CONNECTOR	18P	
CN205	BI12S30039	CONNECTOR	3P	
CN301	BI12S30039	CONNECTOR	3P	
CN302	BI12S80024	CONNECTOR	8P	
CN303	BI12S90024V	FFC CONNECTOR	9P	
CN306	BI12S100047X	CONNECTOR	10P	
CN601	BI12S240004V	FFC CONNECTOR	24P	
CN701	BI12S160031V	FFC CONNECTOR	16P	
CN702	BI12P60142V	CONNECTOR WIRE	6P to CD MECH 10P to CD PICK UP	
CN703	BI12P100051X	CONNECTOR WIRE		
JR301	BIRC000010500	C RESISTOR	0Ω 1/10W	
JR302	BIRC000010500	C RESISTOR	0Ω 1/10W	
JR401	BIRC000010500	C RESISTOR	0Ω 1/10W	
JR402	BIRC000010500	C RESISTOR	0Ω 1/10W	
JR403	BIRC000010500	C RESISTOR	0Ω 1/10W	
JR404	BIRC000010500	C RESISTOR	0Ω 1/10W	
JR408	BIRC000010500	C RESISTOR	0Ω 1/10W	
JR701	BIRC000010500	C RESISTOR	0Ω 1/10W	
JR702	BIRC000010500	C RESISTOR	0Ω 1/10W	
JR703	BIRC000008500	C RESISTOR	0Ω 1/8W	
JR801	BIRC000008500	C RESISTOR	0Ω 1/8W	
X801	BI2102361	CRYSTL	16.9344MHz	
XT301	BI2101012	CRYSTL	32.768KHz	
XT302	BI29ZT8.00P015	C RESONTOR	8MHz	

Front board (MX-KC45A)

Symbol No.	Part No.	Part Name	Description	Local
IC201	BI115291X	IC	RPM7138-V4	
IC202	BI116661X	IC	S5G5128	
D201	1SS133	FR DIODE	BI31SS133M000V 7	
D202	1SS133	FR DIODE	BI31SS133M000V 7	
D206	1SS133	FR DIODE	BI31SS133M000V 7	
D207	1SS133	FR DIODE	BI31SS133M000V 7	
D208	1SS133	FR DIODE	BI31SS133M000V 7	
C201	BICC103500K02	C CPCITOR	0.01uF 50V	
C202	BICC103500K02	C CPCITOR	0.01uF 50V	
C203	BICE106500MP01	E CPCTIOR	10uF 50V	
C204	BICC102500K04	C CPCITOR	1000pF 50V	
C205	BICE226500MP01	E CPCITOR	22uF 50V	
C207	BICE226500MP01	E CPCITOR	22uF 50V	
C209	BICC104500K04	C CPCITOR	0.1uF 50V	
C211	BICE107500MP01	E CPCITOR	100uF 50V	
C212	BICC104500K04	C CPCITOR	0.1uF 50V	
C213	BICC104500K04	C CPCITOR	0.1uF 50V	
C221	BICC102500K04	C CPCITOR	1000pF 50V	
C222	BICC102500K04	C CPCITOR	1000pF 50V	
C225	BICC104500K04	C CPCITOR	0.1uF 50V	
C226	BICC104500K04	C CPCITOR	0.1uF 50V	
C227	BICC101500J04	C CPCITOR	100pF 50V	
C228	BICC101500J04	C CPCITOR	100pF 50V	
C229	BICC101500J04	C CPCITOR	100pF 50V	
C230	BICC102500K04	C CPCITOR	1000pF 50V	
C231	BICC102500K04	C CPCITOR	1000pF 50V	
C233	BICE108063MP01	E CPCITOR	1000uF 6.3V	
R203	BIRC103010500	C RESISTOR	10KΩ 1/10W	
R204	BIRC103010500	C RESISTOR	10KΩ 1/10W	
R205	BIRC101010500	C RESISTOR	100Ω 1/10W	
R206	BIRC221010500	C RESISTOR	220Ω 1/10W	
R207	BIRC010010500	C RESISTOR	1Ω 1/10W	
R208	BIRC010010500	C RESISTOR	1Ω 1/10W	
R209	BIRC1000085M00	C RESISTOR	10Ω 1/8W	
R210	BIRC273010500	C RESISTOR	27KΩ 1/10W	
R212	BIRC103010500	C RESISTOR	10KΩ 1/10W	
R213	BIRC103010500	C RESISTOR	10KΩ 1/10W	
R214	BIRC103010500	C RESISTOR	10KΩ 1/10W	
R215	BIRC911010500	C RESISTOR	910Ω 1/10W	
R216	BIRC112010500	C RESISTOR	1.1KΩ 1/10W	
R217	BIRC132010500	C RESISTOR	1.3KΩ 1/10W	
R218	BIRC182010500	C RESISTOR	1.8KΩ 1/10W	
R219	BIRC202010500	C RESISTOR	2KΩ 1/10W	
R220	BIRC302010500	C RESISTOR	3KΩ 1/10W	
R221	BIRC392010500	C RESISTOR	3.9KΩ 1/10W	
R222	BIRC103010500	C RESISTOR	10KΩ 1/10W	
R223	BIRC911010500	C RESISTOR	910Ω 1/10W	
R224	BIRC112010500	C RESISTOR	1.1KΩ 1/10W	
R225	BIRC132010500	C RESISTOR	1.3KΩ 1/10W	
R226	BIRC182010500	C RESISTOR	1.8KΩ 1/10W	
R227	BIRC202010500	C RESISTOR	2KΩ 1/10W	
R228	BIRC302010500	C RESISTOR	3KΩ 1/10W	
R229	BIRC392010500	C RESISTOR	3.9KΩ 1/10W	
R230	BIRC622010500	C RESISTOR	6.2KΩ 1/10W	
R231	BIRC911010500	C RESISTOR	910Ω 1/10W	
R232	BIRC112010500	C RESISTOR	1.1KΩ 1/10W	
R233	BIRC132010500	C RESISTOR	1.3KΩ 1/10W	
R234	BIRC182010500	C RESISTOR	1.8KΩ 1/10W	
R235	BIRC202010500	C RESISTOR	2KΩ 1/10W	
R236	BIRC302010500	C RESISTOR	3KΩ 1/10W	
R237	BIRC392010500	C RESISTOR	3.9KΩ 1/10W	
R238	BIRC622010500	C RESISTOR	6.2KΩ 1/10W	
R241	BIRC103010500	C RESISTOR	10KΩ 1/10W	
R247	BIRC102010500	C RESISTOR	1KΩ 1/10W	
R248	BIRC1020085M00	C RESISTOR	1KΩ 1/8W J	
R249	BIRC1020085M00	C RESISTOR	1KΩ 1/8W J	

Block No. [0][6]

Symbol No.	Part No.	Part Name	Description	Local
R250	BIRC1020085M00	C RESISTOR	1KΩ 1/8W J	
R251	BIRC473010500	C RESISTOR	47KΩ 1/10W	
R252	BIRC473010500	C RESISTOR	47KΩ 1/10W	
R253	BIRC473010500	C RESISTOR	47KΩ 1/10W	
R254	BIRC473010500	C RESISTOR	47KΩ 1/10W	
R255	BIRC473010500	C RESISTOR	47KΩ 1/10W	
R256	BIRC473010500	C RESISTOR	47KΩ 1/10W	
R257	BIRC473010500	C RESISTOR	47KΩ 1/10W	
R258	BIRC473010500	C RESISTOR	47KΩ 1/10W	
R259	BIRC473010500	C RESISTOR	47KΩ 1/10W	
R260	BIRC473010500	C RESISTOR	47KΩ 1/10W	
R261	BIRC473010500	C RESISTOR	47KΩ 1/10W	
R262	BIRC473010500	C RESISTOR	47KΩ 1/10W	
R263	BIRC473010500	C RESISTOR	47KΩ 1/10W	
R264	BIRC473010500	C RESISTOR	47KΩ 1/10W	
R265	BIRC473010500	C RESISTOR	47KΩ 1/10W	
R266	BIRC473010500	C RESISTOR	47KΩ 1/10W	
R267	BIRC473010500	C RESISTOR	47KΩ 1/10W	
R268	BIRC473010500	C RESISTOR	47KΩ 1/10W	
R269	BIRC473010500	C RESISTOR	47KΩ 1/10W	
R270	BIRC473010500	C RESISTOR	47KΩ 1/10W	
R271	BIRC473010500	C RESISTOR	47KΩ 1/10W	
R272	BIRC473010500	C RESISTOR	47KΩ 1/10W	
R273	BIRC473010500	C RESISTOR	47KΩ 1/10W	
R274	BIRC473010500	C RESISTOR	47KΩ 1/10W	
R275	BIRC473010500	C RESISTOR	47KΩ 1/10W	
R276	BIRC473010500	C RESISTOR	47KΩ 1/10W	
R277	BIRC473010500	C RESISTOR	47KΩ 1/10W	
R278	BIRC473010500	C RESISTOR	47KΩ 1/10W	
R279	BIRC473010500	C RESISTOR	47KΩ 1/10W	
R280	BIRC473010500	C RESISTOR	47KΩ 1/10W	
R281	BIRC473010500	C RESISTOR	47KΩ 1/10W	
R282	BIRC473010500	C RESISTOR	47KΩ 1/10W	
R283	BIRC473010500	C RESISTOR	47KΩ 1/10W	
R284	BIRC473010500	C RESISTOR	47KΩ 1/10W	
R285	BIRC1810045M00	C RESISTOR	180Ω 1/4W	
R286	BIRC1810045M00	C RESISTOR	180Ω 1/4W	
VR201	BI804401V	ROTRY SW	RE012307PVB30	
L201	BI26100000KM00	FIXED INDUCTOR	10uH	
L202	BI26100000KM00	FIXED INDUCTOR	10uH	
L203	BI18843556N00	FILTER BED	843556	
CN201	BI12S30081X	CONNECTOR	3P	
CN203	BI12P30272X	CONNECTOR WIRE	3P to FRONT CN201	
CW201	BI12S1800071	FFC CONNECTOR	18P	
CW202	BI12P402341V	CONNECTOR WIRE	4P to MP CN202	
CW205	BI12P30270X	CONNECTOR WIRE	3P MIN CN205	
FL201	BI2702381X	FL DISPLY	HNC 17LM3 41P	
JK201	BI2301211	MINI JCK	CKX-3.5- 25	
JK202	BI2301211	MINI JCK	CKX-3.5- 25	
LD201	BI28B4541EP01	LED	RED BL-B4541-V-TBS2	
S201	BI8SKRGED0P0	TCT SWITCH	SKRGED010	
S202	BI8SKRGED0P0	TCT SWITCH	SKRGED010	
S203	BI8SKRGED0P0	TCT SWITCH	SKRGED010	
S204	BI8SKRGED0P0	TCT SWITCH	SKRGED010	
S205	BI8SKRGED0P0	TCT SWITCH	SKRGED010	
S206	BI8SKRGED0P0	TCT SWITCH	SKRGED010	
S207	BI8SKRGED0P0	TCT SWITCH	SKRGED010	
S208	BI8SKRGED0P0	TCT SWITCH	SKRGED010	
S209	BI8SKRGED0P0	TCT SWITCH	SKRGED010	
S210	BI8SKRGED0P0	TCT SWITCH	SKRGED010	
S211	BI8SKRGED0P0	TCT SWITCH	SKRGED010	
S212	BI8SKRGED0P0	TCT SWITCH	SKRGED010	
S213	BI8SKRGED0P0	TCT SWITCH	SKRGED010	
S214	BI8SKRGED0P0	TCT SWITCH	SKRGED010	
S215	BI8SKRGED0P0	TCT SWITCH	SKRGED010	
S216	BI8SKRGED0P0	TCT SWITCH	SKRGED010	
S217	BI8SKRGED0P0	TCT SWITCH	SKRGED010	
S218	BI8SKRGED0P0	TCT SWITCH	SKRGED010	
S219	BI8SKRGED0P0	TCT SWITCH	SKRGED010	
S220	BI8SKRGED0P0	TCT SWITCH	SKRGED010	
S221	BI8SKRGED0P0	TCT SWITCH	SKRGED010	
S222	BI8SKRGED0P0	TCT SWITCH	SKRGED010	
S223	BI8SKRGED0P0	TCT SWITCH	SKRGED010	
S224	BI8SKRGED0P0	TCT SWITCH	SKRGED010	

Symbol No.	Part No.	Part Name	Description	Local
S225	BI8SKRGED0P0	TCT SWITCH	SKRGED010	
S226	BI8SKRGED0P0	TCT SWITCH	SKRGED010	
S227	BI8SKRGED0P0	TCT SWITCH	SKRGED010	
S228	BI8SKRGED0P0	TCT SWITCH	SKRGED010	
XXXXX	BI1206721X	FLT CBLE	8P CW215 to CW203	

Amp board (MX-KC45A)

Block No. [0][7]

Symbol No.	Part No.	Part Name	Description	Local
IC601	BI118201X	IC	STK412-430-E	
Q101	2SC3052	TRANSISTOR	BI2SC3052FA013 H	
Q111	KTA1273Y	TRANSISTOR	BI2KTA1273YP000	
Q112	2SC3052	TRANSISTOR	BI2SC3052FA013 H	
Q113	2SC3052	TRANSISTOR	BI2SC3052FA013 H	
Q114	KTA1273Y	TRANSISTOR	BI2KTA1273YP000	
Q201	2SC3052	TRANSISTOR	BI2SC3052FA013 H	
Q601	2SC3052	TRANSISTOR	BI2SC3052FA013 H	
Q604	2SB1370	TRANSISTOR	BI22SB1370E7	
Q605	2SC3052	TRANSISTOR	BI2SC3052FA013 H	
Q607	KTA1273Y	TRANSISTOR	BI2KTA1273YP000	
Q608	2SB1370	TRANSISTOR	BI22SB1370E7	
Q609	2SC3052	TRANSISTOR	BI2SC3052FA013 H	
Q610	2SC3052	TRANSISTOR	BI2SC3052FA013 H	
Q611	DTC323TK	DIGI TRANSISTOR	BI2DTC323TKA01 1	
Q612	DTC323TK	DIGI TRANSISTOR	BI2DTC323TKA01 1	
Q613	KTA1267GR	TRANSISTOR	BI2KTA1267GP00 0	
Q614	KTA1267GR	TRANSISTOR	BI2KTA1267GP00 0	
Q615	2SC3052	TRANSISTOR	BI2SC3052FA013 H	
Q616	2SC3052	TRANSISTOR	BI2SC3052FA013 H	
Q617	2SC3052	TRANSISTOR	BI2SC3052FA013 H	
Q618	2SC3052	TRANSISTOR	BI2SC3052FA013 H	
Q619	DTA114YK	DIGI TRANSISTOR	BI2DTA114YKA01 8	
Q620	DTA114YK	DIGI TRANSISTOR	BI2DTA114YKA01 8	
Q621	DTA114YK	DIGI TRANSISTOR	BI2DTA114YKA01 8	
Q622	DTC323TK	DIGI TRANSISTOR	BI2DTC323TKA01 1	
Q623	DTC323TK	DIGI TRANSISTOR	BI2DTC323TKA01 1	
Q624	DTA114YK	DIGI TRANSISTOR	BI2DTA114YKA01 8	
D101	1N4003	DIODE	BI31N4003LEM000	
D102	1N4003	DIODE	BI31N4003LEM000	
D103	1N4003	DIODE	BI31N4003LEM000	
D105	1SS133	FR DIODE	BI31SS133M000V 7	
D106	1SS133	FR DIODE	BI31SS133M000V 7	
D107	1SS133	FR DIODE	BI31SS133M000V 7	
D108	1SS133	FR DIODE	BI31SS133M000V 7	
D109	MC2838	DIODE	BI3MC2838A002	

△ Symbol No.	Part No.	Part Name	Description	Local	△ Symbol No.	Part No.	Part Name	Description	Local
D601	1N4003	DIODE	BI31N4003LEM000		C635	BICE107100MP01	E CAPACITOR	100uF 10V	
D602	1N4003	DIODE	BI31N4003LEM000		C636	BICE107100MP01	E CAPACITOR	100uF 10V	
D603	1N4003	DIODE	BI31N4003LEM000		C637	BICC030500CA04	C CAPACITOR	3pF 50V	
D605	1N4003	DIODE	BI31N4003LEM000		C638	BICC030500CA04	C CAPACITOR	3pF 50V	
D606	1N4003	DIODE	BI31N4003LEM000		C639	BICC102500JA04	C CAPACITOR	1000pF 50V	
D607	UZ12BSC	Z DIODE	BI3UZ12BSCM000		C640	BICC102500JA04	C CAPACITOR	1000pF 50V	
D609	UZ30BSD	Z DIODE	BI3UZ30BSDM000		C641	BICE475500MP01	E CAPACITOR	4.7uF 50V	
D610	UZ6.2BSB	Z DIODE	BI3UZ6.2BSBM000		C642	BICE475500MP01	E CAPACITOR	4.7uF 50V	
D611	UZ5.6BSB	Z DIODE	BI3UZ5.6BSBM000		C643	BICE475500MP01	E CAPACITOR	4.7uF 50V	
D613	1N4003	DIODE	BI31N4003LEM000		C644	BICE105500MP01	E CAPACITOR	1uF 50V	
D614	RS402M	SELEN RECTIFIER	BI3RS402M1		C645	BICM104101KP01	M CAPACITOR	0.1uF 100V	
D615	GBU6J	DIODE	BI3GBU6J1V		C646	BICM104101KP01	M CAPACITOR	0.1uF 100V	
D616	UZ12BSC	Z DIODE	BI3UZ12BSCM000		C647	BICM104101KP01	M CAPACITOR	0.1uF 100V	
D617	UZ12BSC	Z DIODE	BI3UZ12BSCM000		C648	BICM104101KP01	M CAPACITOR	0.1uF 100V	
D618	1SS133	FR DIODE	BI31SS133M000V		C649	BICC121500JA04	C CAPACITOR	120pF 50V	
D619	1SS133	FR DIODE	BI31SS133M000V		C650	BICE476160MP01	E CAPACITOR	47uF 16V	
D620	1SS133	FR DIODE	BI31SS133M000V		C651	BICC223500KA04	C CAPACITOR	0.022uF 50V	
D621	1SS133	FR DIODE	BI31SS133M000V		C652	BICE226500MP01	E CAPACITOR	22uF 50V	
D622	1SS133	FR DIODE	BI31SS133M000V		C653	BICE227100MP01	E CAPACITOR	220uF 10V	
D623	1SS133	FR DIODE	BI31SS133M000V		C654	BICE106250MP01	E CAPACITOR	10uF 25V	
D624	1SS133	FR DIODE	BI31SS133M000V		C655	BICC153500KA04	C CAPACITOR	0.015uF 50V	
D625	1SS133	FR DIODE	BI31SS133M000V		C656	BICC153500KA04	C CAPACITOR	0.015uF 50V	
D626	1SS133	FR DIODE	BI31SS133M000V		R101	BIRC4720105A00	C RESISTOR	4.7KΩ 1/10W	
D631	1SS133	FR DIODE	BI31SS133M000V		R102	BIRC2220105A00	C RESISTOR	2.2KΩ 1/10W	
C101	BICE108250MP01	E CAPACITOR	1000uF 25V		R103	BIRC2230105A00	C RESISTOR	22KΩ 1/10W	
C102	BICE107100MP01	E CAPACITOR	100uF 10V		R104	BIRC2230105A00	C RESISTOR	22KΩ 1/10W	
C113	BICE107100MP01	E CAPACITOR	100uF 10V		R110	BIRC0220105A00	C RESISTOR	2.2Ω 1/10W	
C114	BICE105500MP01	E CAPACITOR	1uF 50V		R112	BIRC4710105A00	C RESISTOR	470Ω 1/10W	
C115	BICE476160MP01	E CAPACITOR	47uF 16V		R113	BIRC1020105A00	C RESISTOR	1KΩ 1/10W	
C116	BICE107160MP01	E CAPACITOR	100uF 16V		R114	BIRC5600105A00	C RESISTOR	56Ω 1/10W	
C117	BICE107160MP01	E CAPACITOR	100uF 16V		R115	BIRC2240105A00	C RESISTOR	220KΩ 1/10W	
C118	BICE107160MP01	E CAPACITOR	100uF 16V		R116	BIRC4730105A00	C RESISTOR	47KΩ 1/10W	
C601	BICC104250ZA04	C CAPACITOR	0.1uF 25V		R117	BIRC4710105A00	C RESISTOR	470Ω 1/10W	
C602	BICC104250ZA04	C CAPACITOR	0.1uF 25V		R118	BIRC1020105A00	C RESISTOR	1KΩ 1/10W	
C603	BICC104250ZA04	C CAPACITOR	0.1uF 25V		R119	BIRC1020105A00	C RESISTOR	1KΩ 1/10W	
C604	BICC104250ZA04	C CAPACITOR	0.1uF 25V		R120	BIRC3330105A00	C RESISTOR	33KΩ 1/10W	
C605	BICE47825M0	E CAPACITOR	4700uF 25V		R121	BIRC3330105A00	C RESISTOR	33KΩ 1/10W	
C606	BICE105500MP01	E CAPACITOR	1uF 50V		R123	BIRC1020105A00	C RESISTOR	1KΩ 1/10W	
C607	BICE107250MP01	E CAPACITOR	100uF 25V		R124	BIRC1020105A00	C RESISTOR	1KΩ 1/10W	
C608	BICC104250ZA04	C CAPACITOR	0.1uF 25V		R600	BIRC8210105A00	C RESISTOR	820Ω 1/10W	
C609	BICE107160MP01	E CAPACITOR	100uF 16V		R601	BIRC4720105A00	C RESISTOR	4.7KΩ 1/10W	
C610	BICE476630MP01	E CAPACITOR	47uF 63V		R602	BIRC5600105A00	C RESISTOR	56Ω 1/10W	
C611	BICE226500MP01	E CAPACITOR	22uF 50V		R605	BIRC1020105A00	C RESISTOR	1KΩ 1/10W	
C612	BICC103500KA04	C CAPACITOR	0.01uF 50V		R606	BIRC3320105A00	C RESISTOR	3.3KΩ 1/10W	
C613	BICE226500MP01	E CAPACITOR	22uF 50V		R607	BIRC2220105A00	C RESISTOR	2.2KΩ 1/10W	
C614	BICE106250MP01	E CAPACITOR	10uF 25V		R608	BIRC1010085N00	C RESISTOR	100Ω 1/8W	
C615	BICC103500KA04	C CAPACITOR	0.01uF 50V		R609	BIRC1010085N00	C RESISTOR	100Ω 1/8W	
C616	BICE477100MP01	E CAPACITOR	470uF 10V		R610	BIRC1540105A00	C RESISTOR	150KΩ 1/10W	
C617	BICM682101KP01	M CAPACITOR	6800pF 100V		R611	BIRC5630105A00	C RESISTOR	56KΩ 1/10W	
C618	BICM682101KP01	M CAPACITOR	6800pF 100V		R612	BIRC4720105A00	C RESISTOR	4.7KΩ 1/10W	
C619	BICM682101KP01	M CAPACITOR	6800pF 100V		△ R613	BIRF1010025N00	FUSE RESISTOR	100Ω 1/2W	
C620	BICM682101KP01	M CAPACITOR	6800pF 100V		△ R614	BIRF1010025N00	FUSE RESISTOR	100Ω 1/2W	
C621	BICM682101KP01	M CAPACITOR	6800pF 100V		R615	BIRC1520025N00	C RESISTOR	1.5KΩ 1/2W	
C622	BICM682101KP01	M CAPACITOR	6800pF 100V		R616	BIRC1520025N00	C RESISTOR	1.5KΩ 1/2W	
C623	BICE47850MSNY3	E CAPACITOR	4700uF 50V		R617	BIRC5610105A00	C RESISTOR	560Ω 1/10W	
C624	BICE47850MSNY3	E CAPACITOR	4700uF 50V		R618	BIRC0000105A00	C RESISTOR	0Ω 1/10W	
C625	BICE33871M2Y	E CAPACITOR	3300uF 71V		R619	BIRC3330105A00	C RESISTOR	33KΩ 1/10W	
C626	BICE33871M2Y	E CAPACITOR	3300uF 71V		R620	BIRC3330105A00	C RESISTOR	33KΩ 1/10W	
C627	BICM682101KP01	M CAPACITOR	6800pF 100V		R621	BIRC5610105A00	C RESISTOR	560Ω 1/10W	
C628	BICM682101KP01	M CAPACITOR	6800pF 100V		R622	BIRC0000105A00	C RESISTOR	0Ω 1/10W	
C631	BICE107101MP01	E CAPACITOR	100uF 100V		R623	BIRC3330105A00	C RESISTOR	33KΩ 1/10W	
C632	BICE107101MP01	E CAPACITOR	100uF 100V		R624	BIRC5630105A00	C RESISTOR	56KΩ 1/10W	
C633	BICC101500JA04	C CAPACITOR	100pF 50V		R625	BIRC5630105A00	C RESISTOR	56KΩ 1/10W	
C634	BICC101500JA04	C CAPACITOR	100pF 50V		R626	BIRC4720105A00	C RESISTOR	4.7KΩ 1/10W	
					R627	BIRC4720105A00	C RESISTOR	4.7KΩ 1/10W	
					R628	BIRC2220105A00	C RESISTOR	2.2KΩ 1/10W	
					R629	BIRC2220105A00	C RESISTOR	2.2KΩ 1/10W	
					R630	BIRC3920105A00	C RESISTOR	3.9KΩ 1/10W	
					R631	BIRC3920105A00	C RESISTOR	3.9KΩ 1/10W	
					R632	BIRM001530V	M RESISTOR	0.15Ω 3W	
					R633	BIRM001530V	M RESISTOR	0.15Ω 3W	
					R634	BIRM001530V	M RESISTOR	0.15Ω 3W	
					R635	BIRM001530V	M RESISTOR	0.15Ω 3W	
					R636	BIRC1020105A00	C RESISTOR	1KΩ 1/10W	
					R637	BIRC1020105A00	C RESISTOR	1KΩ 1/10W	
					R638	BIRC1530105A00	C RESISTOR	15KΩ 1/10W	

Symbol No.	Part No.	Part Name	Description	Local
R639	BIRC1530105A00	C RESISTOR	15KΩ 1/10W	
R640	BIRC0470045N00	C RESISTOR	4.7Ω 1/4W	
R641	BIRC0470045N00	C RESISTOR	4.7Ω 1/4W	
R642	BIRC1020105A00	C RESISTOR	1KΩ 1/10W	
R643	BIRC1020105A00	C RESISTOR	1KΩ 1/10W	
R644	BIRC1030105A00	C RESISTOR	10KΩ 1/10W	
R645	BIRC1030105A00	C RESISTOR	10KΩ 1/10W	
R646	BIRC4710105A00	C RESISTOR	470Ω 1/10W	
R647	BIRC4740105A00	C RESISTOR	470KΩ 1/10W	
R648	BIRC0470045N00	C RESISTOR	4.7Ω 1/4W	
R649	BIRC0470045N00	C RESISTOR	4.7Ω 1/4W	
R650	BIRC1040105A00	C RESISTOR	100KΩ 1/10W	
R651	BIRC1040105A00	C RESISTOR	100KΩ 1/10W	
R652	BIRC1040105A00	C RESISTOR	100KΩ 1/10W	
R653	BIRC0000105A00	C RESISTOR	0Ω 1/10W	
R654	BIRC1020105A00	C RESISTOR	1KΩ 1/10W	
R655	BIRC1030105A00	C RESISTOR	10KΩ 1/10W	
R656	BIRC1500085M00	C RESISTOR	15Ω 1/8W	
R657	BIRC6840105A00	C RESISTOR	680KΩ 1/10W	
R658	BIRC4730105A00	C RESISTOR	47KΩ 1/10W	
R659	BIRC2220105A00	C RESISTOR	2.2KΩ 1/10W	
R660	BIRC3920105A00	C RESISTOR	3.9KΩ 1/10W	
R661	BIRC1030105A00	C RESISTOR	10KΩ 1/10W	
R662	BIRC1020105A00	C RESISTOR	1KΩ 1/10W	
R663	BIRC1030105A00	C RESISTOR	10KΩ 1/10W	
R664	BIRC1020105A00	C RESISTOR	1KΩ 1/10W	
R665	BIRM1020N25N00	M RESISTOR	1KΩ 2W	
R666	BIRM1020N25N00	M RESISTOR	1KΩ 2W	
R669	BIRC1220105A00	C RESISTOR	1.2KΩ 1/10W	
R671	BIRC1030085M00	C RESISTOR	10KΩ 1/8W J	
R672	BIRC3300045M00	C RESISTOR	33Ω 1/4W	
R679	BIRC0000105A00	C RESISTOR	0Ω 1/10W	
R681	BIRC3330085M00	C RESISTOR	33KΩ 1/8W	
R682	BIRC3330085M00	C RESISTOR	33KΩ 1/8W	
R683	BIRC4730085M00	C RESISTOR	47KΩ 1/8W	
R684	BIRC4730105A00	C RESISTOR	47KΩ 1/10W	
L601	BI2601141	COIL	3.0uH	
L602	BI2601141	COIL	3.0uH	
CN202	BI12S40047	CONNECTOR	4P	
CN602	BI12S20016	CONNECTOR	2P	
CN603	BI12S300471V	CONNECTOR	3P	
CN902	BI12S60127X	CONNECTOR	6P	
CN903	BI12S80060V	CONNECTOR	8P	
CW601	BI12S240004V	FFC CONNECTOR	24P	
JK601	BI2301571X	TERMINAL SPK	4P	
RF601	BIRF3300025N00	FUSE RESISTOR	33Ω 1/2W	
RY601	BI8RL00191V	RELAY	DC12V ME-7C-012-3H	

Power trans board (MX-KC45A)

Block No. [0][8]

Symbol No.	Part No.	Part Name	Description	Local
Q901	DTC114YS	DIGI TRNSISTOR	BI2DTC114YK011	
D901	1SS133	FR DIODE	BI31SS133M000V7	
D902	1SS133	FR DIODE	BI31SS133M000V7	
D903	1SS133	FR DIODE	BI31SS133M000V7	
D904	1SS133	FR DIODE	BI31SS133M000V7	
D905	1SS133	FR DIODE	BI31SS133M000V7	
D906	1SS133	FR DIODE	BI31SS133M000V7	
C901	BICH223250ZM01	C CPCITOR	0.022uF 25V	
C902	BICH223250ZM01	C CPCITOR	0.022uF 25V	

Symbol No.	Part No.	Part Name	Description	Local
C903	BICH223250ZM01	C CPCITOR	0.022uF 25V	
C904	BICH223250ZM01	C CPCITOR	0.022uF 25V	
C905	BICE477250MP01	E CPCITOR	470uF 25V	
C907	BICE335500MP01	E CPCITOR	3.3uF 50V	
C951	BICT224275MX	T CPCITOR	0.22uF 275V	
R901	BIRC1000085M00	C RESISTOR	10Ω 1/8W	
R902	BIRC4720085M00	C RESISTOR	4.7KΩ 1/8W	
CW902	BI12P60176X	CONNECTOR WIRE	6P to MP CN902	
CW903	BI12P80121X	CONNECTOR WIRE	8P to MP CN903	
PT902	BI211011151001	POWER TRNS	EI28SI	
RY901	BI8RL00331X	RELY	RELYDC9V	

Main board (MX-KC45UW,MX-KC45UY.MX-KC45UJ)

Block No. [0][9]

Symbol No.	Part No.	Part Name	Description	Local
IC301	BI120971X	IC	S3C825AC63	
IC302	BI116691X	IC	BU4051B	
IC401	BI112721X	IC	BD3881FV	
IC403	BI101851X	IC	NJM78L05	
IC701	BI116431X	IC	SIL9226X0	
IC702	BI118221X	IC	BA5927FM	
IC801	BI118171X	IC	BH18FB1WG	
IC802	BI110891X	IC	KIA7808AP	
IC803	BI117401X	IC	K4S161622H	
IC804	BI120281X	IC	S5L8310	
Q50	2SC3052	TRANSISTOR	BI2SC3052FA013H	
Q302	2SC3052	TRANSISTOR	BI2SC3052FA013H	
Q303	DTC114YK	DIGI TRANSISTOR	BI2DTC114YKA018	
Q304	2SC1815	TRANSISTOR	BI2SC1815GRP000	
Q401	2SJ460	TRANSISTOR	BI2SJ460P0001	
Q402	2SJ460	TRANSISTOR	BI2SJ460P0001	
Q403	2SK2541	TRANSISTOR	BI2SK2541P0001	
Q404	2SK2541	TRANSISTOR	BI2SK2541P0001	
Q405	2SJ460	TRANSISTOR	BI2SJ460P0001	
Q406	2SJ460	TRANSISTOR	BI2SJ460P0001	
Q407	2SK2541	TRANSISTOR	BI2SK2541P0001	
Q408	2SK2541	TRANSISTOR	BI2SK2541P0001	
Q409	2SK2541	TRANSISTOR	BI2SK2541P0001	
Q410	SRA2202S	TRANSISTOR	BI2SRA2202SA00	
Q411	KTA1267GR	TRANSISTOR	BI2KTA1BI267GP00	
Q412	DTC114YK	DIGI TRANSISTOR	BI2DTC114YKA018	
Q413	DTC114YK	DIGI TRANSISTOR	BI2DTC114YKA018	
Q414	2SC3052	TRANSISTOR	BI2SC3052FA013H	
Q415	KTA1273	TRANSISTOR	BI2KTA1273P0008	
Q416	2SC3052	TRANSISTOR	BI2SC3052FA013H	
Q417	KTA1273	TRANSISTOR	BI2KTA1273P0008	
Q418	DTC114TK	DIGI TRANSISTOR	BI2DTC114TKA011	
Q419	KTA1273	TRANSISTOR	BI2KTA1273P0008	
Q420	2SC3052	TRANSISTOR	BI2SC3052FA013H	
Q421	2SC3052	TRANSISTOR	BI2SC3052FA013H	
Q422	2SC3052	TRANSISTOR	BI2SC3052FA013H	
Q423	KTA1267GR	TRANSISTOR	BI2KTA1267GP00	
Q424	KTC3199G	TRANSISTOR	BI2KTC3199GP00	
Q425	KTC3199G	TRANSISTOR	BI2KTC3199GP00	
Q433	2SC3052	TRANSISTOR	BI2SC3052FA013H	
Q434	2SC5343	TRANSISTOR	BI2SC5343GP0000	
Q435	2SC5343	TRANSISTOR	BI2SC5343GP0000	
Q436	2SC5343	TRANSISTOR	BI2SC5343GP0000	
Q437	2SC3052	TRANSISTOR	BI2SC3052FA013H	

Symbol No.	Part No.	Part Name	Description	Local	Symbol No.	Part No.	Part Name	Description	Local
Q438	DTC114TK	DIGI TRANSISTOR	BI2DTC114TKA011		C312	BICC240500JA04	C CAPACITOR	24pF	
Q504	KTA1267GR	TRANSISTOR	BI2KTA1267GP00		C313	BICC330500JA04	C CAPACITOR	33pF 50V	
Q505	DTC114TK	DIGI TRANSISTOR	BI2DTC114TKA011		C314	BICC102500KA04	C CAPACITOR	1000pF 50V	
Q506	KTA1267GR	TRANSISTOR	BI2KTA1267GP00		C315	BICC220500JA04	C CAPACITOR	22pF 50V	
Q507	DTC114TK	DIGI TRANSISTOR	BI2DTC114TKA011		C316	BICC220500JA04	C CAPACITOR	22pF 50V	
Q508	2SC1815	TRANSISTOR	BI2SC1815GRP000		C317	BICC104500KA02	C CAPACITOR	0.1uF 50V	
Q509	DTC114TK	DIGI TRANSISTOR	BI2DTC114TKA011		C318	BICE105500MP01	E CAPACITOR	1uF 50V	
Q701	KTA1266GR	TRANSISTOR	BI2KTA1266GP00		C319	BICC104500KA02	C CAPACITOR	0.1uF 50V	
Q703	KTC3205	TRANSISTOR	BI2KTC3205P0008		C322	BICC101500JA04	C CAPACITOR	100pF 50V	
Q704	2SC1815	TRANSISTOR	BI2SC1815GRP000		C323	BICC101500JA04	C CAPACITOR	100pF 50V	
					C324	BICC101500JA04	C CAPACITOR	100pF 50V	
					C325	BICC101500JA04	C CAPACITOR	100pF 50V	
					C326	BICC101500JA04	C CAPACITOR	100pF 50V	
D301	1SS133	FR DIODE	BI31SS133M000V7		C401	BICC122500KA04	C CAPACITOR	1200pF 50V	
D302	1SS133	FR DIODE	BI31SS133M000V7		C402	BICC122500KA04	C CAPACITOR	1200pF 50V	
D303	1SS133	FR DIODE	BI31SS133M000V7		C403	BICC470500JA04	C CAPACITOR	47pF 50V	
D304	1SS133	FR DIODE	BI31SS133M000V7		C404	BICC470500JA04	C CAPACITOR	47pF 50V	
D305	1SS133	FR DIODE	BI31SS133M000V7		C405	BICE226100MP01	E CAPACITOR	22uF 10V	
D306	UZ4.7BSA	Z DIODE	BI3UZ4.7BSAM000		C406	BICE226100MP01	E CAPACITOR	22uF 10V	
D307	1SS133	FR DIODE	BI31SS133M000V7		C407	BICE225500MP01	E CAPACITOR	2.2uF 50V	
D308	1SS133	FR DIODE	BI31SS133M000V7		C408	BICC471500KA04	C CAPACITOR	470pF 50V	
D309	1SS133	FR DIODE	BI31SS133M000V7		C409	BICC103500KA04	C CAPACITOR	0.01uF 50V	
D401	MC2836	DIODE	BI3MC2836A002H		C410	BICC103500KA04	C CAPACITOR	0.01uF 50V	
D402	UZ4.7BSA	Z DIODE	BI3UZ4.7BSAM000		C411	BICC181500JA04	C CAPACITOR	180pF 50V	
D403	1SS133	FR DIODE	BI31SS133M000V7		C412	BICC181500JA04	C CAPACITOR	180pF 50V	
D404	1SS133	FR DIODE	BI31SS133M000V7		C413	BICE107100MP01	E CAPACITOR	100uF 10V	
D405	UZ4.7BSA	Z DIODE	BI3UZ4.7BSAM000		C414	BICC561500KA04	C CAPACITOR	560pF 50V	
D406	1SS133	FR DIODE	BI31SS133M000V7		C415	BICC561500KA04	C CAPACITOR	560pF 50V	
D407	1SS133	FR DIODE	BI31SS133M000V7		C416	BICC332500KA04	C CAPACITOR	3300pF 50V	
D501	1SS133	FR DIODE	BI31SS133M000V7		C417	BICE227160MP01	E CAPACITOR	220uF 16V	
D502	1SS133	FR DIODE	BI31SS133M000V7		C418	BICE225500MP01	E CAPACITOR	2.2uF 50V	
D503	1SS133	FR DIODE	BI31SS133M000V7		C419	BICC332500KA04	C CAPACITOR	3300pF 50V	
D504	1SS133	FR DIODE	BI31SS133M000V7		C420	BICE104500MP01	E CAPACITOR	0.1uF 50V	
D505	1SS133	FR DIODE	BI31SS133M000V7		C421	BICC101500JA04	C CAPACITOR	100pF 50V	
D508	1SS133	FR DIODE	BI31SS133M000V7		C422	BICE474500MP01	E CAPACITOR	0.47uF 50V	
D509	1SS133	FR DIODE	BI31SS133M000V7		C423	BICC104500KA04	C CAPACITOR	0.1uF 50V	
D510	1N4002	DIODE	BI31N4002M000V3		C424	BICC104500KA04	C CAPACITOR	0.1uF 50V	
D511	1SS133	FR DIODE	BI31SS133M000V7		C425	BICE104500MP01	E CAPACITOR	0.1uF 50V	
D516	UZ11BSC	Z DIODE	BI3UZ11BSCM0000		C426	BICC122500KA04	C CAPACITOR	1200pF 50V	
D517	UZ9.1BSC	Z DIODE	BI3UZ9.1BSCM000V		C427	BICC181500JA04	C CAPACITOR	180pF 50V	
D710	UZ3.6BSB	Z DIODE	BI3UZ3.6BSBM000		C428	BICE227160MP01	E CAPACITOR	220uF 16V	
D711	UZ3.6BSB	Z DIODE	BI3UZ3.6BSBM000		C429	BICC122500KA04	C CAPACITOR	1200pF 50V	
D712	1SS133	FR DIODE	BI31SS133M000V7		C430	BICC102500KA04	C CAPACITOR	1000pF 50V	
D713	1SS133	FR DIODE	BI31SS133M000V7		C431	BICE107100MP01	E CAPACITOR	100uF 10V	
D801	1SS133	FR DIODE	BI31SS133M000V7		C432	BICC103500KA04	C CAPACITOR	0.01uF 50V	
C301	BICC104500KA04	C CAPACITOR	0.1uF 50V		C433	BICC222500KA04	C CAPACITOR	2200pF 50V	
C302	BICC104500KA04	C CAPACITOR	0.1uF 50V		C434	BICC181500JA04	C CAPACITOR	180pF 50V	
C303	BICC223500KA04	C CAPACITOR	0.022uF 50V		C435	BICC103500KA04	C CAPACITOR	0.01uF 50V	
C304	BICE107100MP01	E CAPACITOR	100uF 10V		C436	BICC103500KA04	C CAPACITOR	0.01uF 50V	
C305	BICE108100MP01	E CAPACITOR	1000uF 10V		C437	BICC682500KA04	C CAPACITOR	6800pF 50V	
C306	BICE476250MP01	E CAPACITOR	47uF 25V		C438	BICC104500KA04	C CAPACITOR	0.1uF 50V	
C307	BICC104500KA04	C CAPACITOR	0.1uF 50V		C439	BICC103500KA04	C CAPACITOR	0.01uF 50V	
C308	BICC104500KA04	C CAPACITOR	0.1uF 50V		C440	BICE227160MP01	E CAPACITOR	220uF 16V	
C311	BICC270500JA04	C CAPACITOR	27pF 50V		C441	BICC272500KA04	C CAPACITOR	2700pF	
					C444	BICC222500KA04	C CAPACITOR	2200pF 50V	
					C445	BICE474500MP01	E CAPACITOR	0.47uF 50V	
					C446	BICC103500KA04	C CAPACITOR	0.01uF 50V	
					C447	BICE107160MP01	E CAPACITOR	100uF 16V	
					C448	BICC682500KA04	C CAPACITOR	6800pF 50V	
					C449	BICC103500KA04	C CAPACITOR	0.01uF 50V	
					C450	BICE475500MP01	E CAPACITOR	4.7uF 50V	
					C451	BICE107160MP01	E CAPACITOR	100uF 16V	
					C453	BICC102500KA04	C CAPACITOR	1000pF 50V	
					C454	BICC102500KA04	C CAPACITOR	1000pF 50V	
					C458	BICE476160MP01	E CAPACITOR	47uF 16V	
					C459	BICE224500MP01	E CAPACITOR	0.22uF 50V	
					C460	BICE224500MP01	E CAPACITOR	0.22uF 50V	
					C496	BICC683160KA04	C CAPACITOR	0.068uF 16V	
					C497	BICC683160KA04	C CAPACITOR	0.068uF 16V	
					C501	BICE226250MP01	E CAPACITOR	22uF 25V	
					C502	BICE107100MP01	E CAPACITOR	100uF 10V	
					C503	BICM682101KP01	M CAPACITOR	6800pF 100V	
					C518	BICC272500KA04	C CAPACITOR	2700pF	
					C520	BICC272500KA04	C CAPACITOR	2700pF	
					C521	BICC561500KA04	C CAPACITOR	560pF 50V	
					C524	BICE105500MP01	E CAPACITOR	1uF 50V	
					C525	BICE475500MP01	E CAPACITOR	4.7uF 50V	

Symbol No.	Part No.	Part Name	Description	Local	Symbol No.	Part No.	Part Name	Description	Local
C526	BICE105500MP01	E CAPACITOR	1uF 50V		C818	BICC102500KA04	C CAPACITOR	1000pF 50V	
C527	BICE226250MP01	E CAPACITOR	22uF 25V		C819	BICC102500KA04	C CAPACITOR	1000pF 50V	
C528	BICE476160MP01	E CAPACITOR	47uF 16V		C820	BICC104500KA04	C CAPACITOR	0.1uF 50V	
C535	BICE476160MP01	E CAPACITOR	47uF 16V		C821	BICC104500KA04	C CAPACITOR	0.1uF 50V	
C536	BICC102500KA04	C CAPACITOR	1000pF 50V		C822	BICC104500KA04	C CAPACITOR	0.1uF 50V	
C539	BICC102500KA04	C CAPACITOR	1000pF 50V		C823	BICC104500KA04	C CAPACITOR	0.1uF 50V	
C540	BICC101500JA04	C CAPACITOR	100pF 50V		C824	BICC104500KA02	C CAPACITOR	0.1uF 50V	
C541	BICC101500JA04	C CAPACITOR	100pF 50V		C825	BICC104500KA02	C CAPACITOR	0.1uF 50V	
C542	BICE105500MP01	E CAPACITOR	1uF 50V		C826	BICC104500KA04	C CAPACITOR	0.1uF 50V	
C543	BICE105500MP01	E CAPACITOR	1uF 50V		C827	BICC104500KA04	C CAPACITOR	0.1uF 50V	
C544	BICE475500MP01	E CAPACITOR	4.7uF 50V		C828	BICC104500KA04	C CAPACITOR	0.1uF 50V	
C545	BICE475500MP01	E CAPACITOR	4.7uF 50V		C829	BICC104500KA04	C CAPACITOR	0.1uF 50V	
C546	BICE104500MP01	E CAPACITOR	0.1uF 50V		C830	BICC104500KA04	C CAPACITOR	0.1uF 50V	
C547	BICE104500MP01	E CAPACITOR	0.1uF 50V		C831	BICC104500KA04	C CAPACITOR	0.1uF 50V	
C557	BICE107100MP01	E CAPACITOR	100uF 10V		C832	BICC100500DA04	C CAPACITOR	10pF 50V	
C558	BICC103500KA04	C CAPACITOR	0.01uF 50V		C833	BICC330500JA04	C CAPACITOR	33pF 50V	
C701	BICC104500KA04	C CAPACITOR	0.1uF 50V		C850	BICC104500KA04	C CAPACITOR	0.1uF 50V	
C702	BICC104500KA04	C CAPACITOR	0.1uF 50V						
C703	BICC102500KA04	C CAPACITOR	1000pF 50V		R301	BIRC4710105A00	C RESISTOR	470Ω 1/10W	
C704	BICE476160MP01	E CAPACITOR	47uF 16V		R302	BIRC1010105A00	C RESISTOR	100Ω 1/10W	
C705	BICC102500KA04	C CAPACITOR	1000pF 50V		R303	BIRC1010105A00	C RESISTOR	100Ω 1/10W	
C706	BICC102500KA04	C CAPACITOR	1000pF 50V		R304	BIRC1010105A00	C RESISTOR	100Ω 1/10W	
C707	BICC103500KA04	C CAPACITOR	0.01uF 50V		R305	BIRC1010105A00	C RESISTOR	100Ω 1/10W	
C708	BICC473500KA04	C CAPACITOR	0.047uF 50V		R306	BIRC1010105A00	C RESISTOR	100Ω 1/10W	
C709	BICE107100MP01	E CAPACITOR	100uF 10V		R307	BIRC1010105A00	C RESISTOR	100Ω 1/10W	
C710	BICE107100MP01	E CAPACITOR	100uF 10V		R308	BIRC1010105A00	C RESISTOR	100Ω 1/10W	
C711	BICC040500CA04	C CAPACITOR	4pF 50V		R309	BIRC1010105A00	C RESISTOR	100Ω 1/10W	
C712	BICC100500DA04	C CAPACITOR	10pF 50V		R310	BIRC1010105A00	C RESISTOR	100Ω 1/10W	
C713	BICC682500KA04	C CAPACITOR	6800pF 50V		R311	BIRC1010105A00	C RESISTOR	100Ω 1/10W	
C714	BICC103500KA04	C CAPACITOR	0.01uF 50V		R312	BIRC1010105A00	C RESISTOR	100Ω 1/10W	
C715	BICE475500MP01	E CAPACITOR	4.7uF 50V		R313	BIRC1010105A00	C RESISTOR	100Ω 1/10W	
C716	BICC104500KA04	C CAPACITOR	0.1uF 50V		R314	BIRC1020105A00	C RESISTOR	1KΩ 1/10W	
C717	BICC104500KA04	C CAPACITOR	0.1uF 50V		R315	BIRC1010105A00	C RESISTOR	100Ω 1/10W	
C718	BICC102500KA04	C CAPACITOR	1000pF 50V		R316	BIRC1010105A00	C RESISTOR	100Ω 1/10W	
C719	BICC104500KA04	C CAPACITOR	0.1uF 50V		R317	BIRC1010105A00	C RESISTOR	100Ω 1/10W	
C720	BICC333250KA04	C CAPACITOR	0.033uF 25V		R318	BIRC1010105A00	C RESISTOR	100Ω 1/10W	
C721	BICC474100KA04	C CAPACITOR	0.47uF 10V		R319	BIRC1010085M00	C RESISTOR	100Ω 1/8W J	
C722	BICC332500KA04	C CAPACITOR	3300pF 50V		R320	BIRC1010085M00	C RESISTOR	100Ω 1/8W J	
C723	BICC474100KA04	C CAPACITOR	0.47uF 10V		R321	BIRC1010085M00	C RESISTOR	100Ω 1/8W J	
C724	BICC103500KA04	C CAPACITOR	0.01uF 50V		R322	BIRC1010085M00	C RESISTOR	100Ω 1/8W J	
C725	BICC683160KA04	C CAPACITOR	0.068uF 16V		R323	BIRC1010085M00	C RESISTOR	100Ω 1/8W J	
C726	BICE106160MP01	E CAPACITOR	10uF 16V		R324	BIRC1010085M00	C RESISTOR	100Ω 1/8W J	
C727	BICC683160KA04	C CAPACITOR	0.068uF 16V		R325	BIRC1040085M00	C RESISTOR	100KΩ 1/8W	
C728	BICC331500KA04	C CAPACITOR	330pF 50V		R326	BIRC0000105A00	C RESISTOR	0Ω 1/10W	
C729	BICC102500KA04	C CAPACITOR	1000pF 50V		R327	BIRC1010085M00	C RESISTOR	100Ω 1/8W J	
C730	BICC222500KA04	C CAPACITOR	2200pF 50V		R328	BIRC1010085M00	C RESISTOR	100Ω 1/8W J	
C731	BICC333250KA04	C CAPACITOR	0.033uF 25V		R329	BIRC2220085M00	C RESISTOR	2.2KΩ 1/8W	
C732	BICC104500KA04	C CAPACITOR	0.1uF 50V		R330	BIRC2220085M00	C RESISTOR	2.2KΩ 1/8W	
C733	BICC104500KA04	C CAPACITOR	0.1uF 50V		R331	BIRC2220085M00	C RESISTOR	2.2KΩ 1/8W	
C759	BICC104500KA04	C CAPACITOR	0.1uF 50V		R332	BIRC2220085M00	C RESISTOR	2.2KΩ 1/8W	
C763	BICE107100MP01	E CAPACITOR	100uF 10V		R333	BIRC1820085M00	C RESISTOR	1.8KΩ 1/8W	
C764	BICC104500KA04	C CAPACITOR	0.1uF 50V		R334	BIRC2230105A00	C RESISTOR	22KΩ 1/10W	
C765	BICE108100MP01	E CAPACITOR	1000uF 10V		R335	BIRC2230105A00	C RESISTOR	22KΩ 1/10W	
C766	BICC104500KA04	C CAPACITOR	0.1uF 50V		R336	BIRC2230105A00	C RESISTOR	22KΩ 1/10W	
C767	BICE107100MP01	E CAPACITOR	100uF 10V		R337	BIRC1010105A00	C RESISTOR	100Ω 1/10W	
C768	BICC102500KA04	C CAPACITOR	1000pF 50V		R338	BIRC1010105A00	C RESISTOR	100Ω 1/10W	
C769	BICE476250MP01	E CAPACITOR	47uF 25V		R340	BIRC4710085M00	C RESISTOR	470Ω 1/8W	
C770	BICC391500JA04	C CAPACITOR	390pF 50V		R341	BIRC1020085M00	C RESISTOR	1KΩ 1/8W J	
C771	BICC391500JA04	C CAPACITOR	390pF 50V		R342	BIRC2210085M00	C RESISTOR	220Ω 1/8W	
C772	BICC391500JA04	C CAPACITOR	390pF 50V		R343	BIRC2210085M00	C RESISTOR	220Ω 1/8W	
C773	BICC391500JA04	C CAPACITOR	390pF 50V		R344	BIRC2210085M00	C RESISTOR	220Ω 1/8W	
C774	BICC102500KA04	C CAPACITOR	1000pF 50V		R345	BIRC1020085M00	C RESISTOR	1KΩ 1/8W J	
C803	BICE107100MP01	E CAPACITOR	100uF 10V		R346	BIRC1010085M00	C RESISTOR	100Ω 1/8W J	
C804	BICC104500KA04	C CAPACITOR	0.1uF 50V		R347	BIRC1010085M00	C RESISTOR	100Ω 1/8W J	
C805	BICC270500JA04	C CAPACITOR	27pF 50V		R348	BIRC1020085M00	C RESISTOR	1KΩ 1/8W J	
C806	BICC270500JA04	C CAPACITOR	27pF 50V		R349	BIRC1020085N00	C RESISTOR	1KΩ 1/8W	
C807	BICC104500KA04	C CAPACITOR	0.1uF 50V		R350	BIRC1020085M00	C RESISTOR	1KΩ 1/8W J	
C808	BICE107100MP01	E CAPACITOR	100uF 10V		R351	BIRC1020085M00	C RESISTOR	1KΩ 1/8W J	
C809	BICC104500KA04	C CAPACITOR	0.1uF 50V		R352	BIRC0000105A00	C RESISTOR	0Ω 1/10W	
C810	BICC122500KA04	C CAPACITOR	1200pF 50V		R353	BIRC1020105A00	C RESISTOR	1KΩ 1/10W	
C811	BICC122500KA04	C CAPACITOR	1200pF 50V		R354	BIRC1020105A00	C RESISTOR	1KΩ 1/10W	
C812	BICC122500KA04	C CAPACITOR	1200pF 50V		R357	BIRC1010085M00	C RESISTOR	100Ω 1/8W J	
C813	BICC104500KA04	C CAPACITOR	0.1uF 50V		R358	BIRC1010085M00	C RESISTOR	100Ω 1/8W J	
C814	BICE107100MP01	E CAPACITOR	100uF 10V		R359	BIRC1010085M00	C RESISTOR	100Ω 1/8W J	
C815	BICE107100MP01	E CAPACITOR	100uF 10V		R360	BIRC2210105A00	C RESISTOR	220Ω 1/10W	
C816	BICE475500MP01	E CAPACITOR	4.7uF 50V		R361	BIRC4710105A00	C RESISTOR	470Ω 1/10W	
C817	BICE475500MP01	E CAPACITOR	4.7uF 50V		R362	BIRC4710105A00	C RESISTOR	470Ω 1/10W	

Symbol No.	Part No.	Part Name	Description	Local	Symbol No.	Part No.	Part Name	Description	Local
R363	BIRC4710085M00	C RESISTOR	470Ω 1/8W		R450	BIRC3320105A00	C RESISTOR	3.3KΩ 1/10W	
R365	BIRC1010105A00	C RESISTOR	100Ω 1/10W		R451	BIRC1020105A00	C RESISTOR	1KΩ 1/10W	
R366	BIRC1010085M00	C RESISTOR	100Ω 1/8W J		R452	BIRC4720085M00	C RESISTOR	4.7KΩ 1/8W	
R367	BIRC4720085M00	C RESISTOR	4.7KΩ 1/8W		R453	BIRC1220085M00	C RESISTOR	1.2KΩ 1/8W	
R368	BIRC1540085M00	C RESISTOR	150KΩ 1/8W		R454	BIRC1010085M00	C RESISTOR	100Ω 1/8W J	
R369	BIRC1010105A00	C RESISTOR	100Ω 1/10W		R455	BIRC4730105A00	C RESISTOR	47KΩ 1/10W	
R371	BIRC4730105A00	C RESISTOR	47KΩ 1/10W		R456	BIRC2230105A00	C RESISTOR	22KΩ 1/10W	
R373	BIRC0000105A00	C RESISTOR	0Ω 1/10W		R457	BIRC4720085M00	C RESISTOR	4.7KΩ 1/8W	
R374	BIRC0000105A00	C RESISTOR	0Ω 1/10W		R458	BIRC1030105A00	C RESISTOR	10KΩ 1/10W	
R375	BIRC0000105A00	C RESISTOR	0Ω 1/10W		R459	BIRC2220105A00	C RESISTOR	2.2KΩ 1/10W	
R376	BIRC0000105A00	C RESISTOR	0Ω 1/10W		R460	BIRC1830105A00	C RESISTOR	18KΩ 1/10W	
R377	BIRC2220105A00	C RESISTOR	2.2KΩ 1/10W		R461	BIRC1830105A00	C RESISTOR	18KΩ 1/10W	
R378	BIRC2220105A00	C RESISTOR	2.2KΩ 1/10W		R462	BIRC4730105A00	C RESISTOR	47KΩ 1/10W	
R380	BIRC2220105A00	C RESISTOR	2.2KΩ 1/10W		R463	BIRC1020105A00	C RESISTOR	1KΩ 1/10W	
R382	BIRC1030105A00	C RESISTOR	10KΩ 1/10W		R464	BIRC1020105A00	C RESISTOR	1KΩ 1/10W	
R384	BIRC3320105A00	C RESISTOR	3.3KΩ 1/10W		R465	BIRC6830105A00	C RESISTOR	68KΩ 1/10W	
R385	BIRC1020105A00	C RESISTOR	1KΩ 1/10W		R467	BIRC2220105A00	C RESISTOR	2.2KΩ 1/10W	
R386	BIRC2720105A00	C RESISTOR	2.7KΩ	UW,U Y UJ	R468	BIRC2220105A00	C RESISTOR	2.2KΩ 1/10W	
R386	BIRC1820105A00	C RESISTOR	1.8KΩ		R469	BIRC1030105A00	C RESISTOR	10KΩ 1/10W	
R387	BIRC1030085M00	C RESISTOR	10KΩ 1/8W J		R471	BIRC1230105A00	C RESISTOR	12KΩ 1/10W	
R388	BIRC2220085N00	C RESISTOR	2.2KΩ 1/8W		R472	BIRC5630105A00	C RESISTOR	56KΩ 1/10W	
R390	BIRC4730105A00	C RESISTOR	47KΩ 1/10W		R478	BIRC2220085N00	C RESISTOR	2.2KΩ 1/8W	
R391	BIRC6840105A00	C RESISTOR	680KΩ 1/10W		R479	BIRC1200045M00	C RESISTOR	12Ω 1/4W	
R392	BIRC1030085M00	C RESISTOR	10KΩ 1/8W J		R480	BIRC2720105A00	C RESISTOR	2.7KΩ 1/10W	
R393	BIRC1030105A00	C RESISTOR	10KΩ 1/10W		R481	BIRC2720105A00	C RESISTOR	2.7KΩ 1/10W	
R394	BIRC1030105A00	C RESISTOR	10KΩ 1/10W		R482	BIRC4730105A00	C RESISTOR	47KΩ 1/10W	
R395	BIRC1030105A00	C RESISTOR	10KΩ 1/10W		R483	BIRC4730105A00	C RESISTOR	47KΩ 1/10W	
R396	BIRC1020105A00	C RESISTOR	1KΩ 1/10W		R484	BIRC4710105A00	C RESISTOR	470Ω 1/10W	
R397	BIRC1020105A00	C RESISTOR	1KΩ 1/10W		R501	BIRC1530085M00	C RESISTOR	15KΩ 1/8W	
R398	BIRC1020105A00	C RESISTOR	1KΩ 1/10W		R502	BIRC1540085M00	C RESISTOR	15KΩ 1/8W	
R399	BIRC2230105A00	C RESISTOR	22KΩ 1/10W		R503	BIRC2230085M00	C RESISTOR	22KΩ 1/8W	
R401	BIRC3930105A00	C RESISTOR	39KΩ 1/10W		R504	BIRC2230085M00	C RESISTOR	22KΩ 1/8W	
R402	BIRC3930105A00	C RESISTOR	39KΩ 1/10W		R505	BIRC3930105A00	C RESISTOR	39KΩ 1/10W	
R403	BIRC1010085M00	C RESISTOR	100Ω 1/8W J		R506	BIRC3930105A00	C RESISTOR	39KΩ 1/10W	
R404	BIRC1010105A00	C RESISTOR	100Ω 1/10W		R507	BIRC2220105A00	C RESISTOR	2.2KΩ 1/10W	
R405	BIRC1510105A00	C RESISTOR	150Ω 1/10W		R508	BIRC4720085M00	C RESISTOR	4.7KΩ 1/8W	
R406	BIRC1510105A00	C RESISTOR	150Ω 1/10W		R509	BIRC6830105A00	C RESISTOR	68KΩ 1/10W	
R409	BIRC3940085M00	C RESISTOR	390KΩ 1/8W		R510	BIRC5630105A00	C RESISTOR	56KΩ 1/10W	
R410	BIRC3940105A00	C RESISTOR	390KΩ 1/10W		R511	BIRC4720085M00	C RESISTOR	4.7KΩ 1/8W	
R411	BIRC1220105A00	C RESISTOR	1.2KΩ 1/10W		R512	BIRC2220085M00	C RESISTOR	2.2KΩ 1/8W	
R412	BIRC1220105A00	C RESISTOR	1.2KΩ 1/10W		R513	BIRC5620105A00	C RESISTOR	5.6KΩ 1/10W	
R413	BIRC1830105A00	C RESISTOR	18KΩ 1/10W		R514	BIRC1040105A00	C RESISTOR	100KΩ 1/10W	
R414	BIRC1830105A00	C RESISTOR	18KΩ 1/10W		R515	BIRC1040105A00	C RESISTOR	100KΩ 1/10W	
R417	BIRC5600045M00	C RESISTOR	56Ω 1/4W		R516	BIRC1050105A00	C RESISTOR	1MΩ 1/10W	
R418	BIRC1020105A00	C RESISTOR	1KΩ 1/10W		R517	BIRC1000105A00	C RESISTOR	10Ω 1/10W	
R419	BIRC0820045M00	C RESISTOR	8.2Ω 1/4W		R518	BIRC1040105A00	C RESISTOR	100KΩ 1/10W	
R420	BIRC1020105A00	C RESISTOR	1KΩ 1/10W		R519	BIRC1040105A00	C RESISTOR	100KΩ 1/10W	
R421	BIRC8230105A00	C RESISTOR	82KΩ 1/10W		R520	BIRC1030105A00	C RESISTOR	10KΩ 1/10W	
R422	BIRC8230105A00	C RESISTOR	82KΩ 1/10W		R521	BIRC0000105A00	C RESISTOR	0Ω 1/10W	
R423	BIRC2240105A00	C RESISTOR	220KΩ 1/10W		R523	BIRC2220105A00	C RESISTOR	2.2KΩ 1/10W	
R424	BIRC2230105A00	C RESISTOR	22KΩ 1/10W		R525	BIRC1040105A00	C RESISTOR	100KΩ 1/10W	
R425	BIRC2220105A00	C RESISTOR	2.2KΩ 1/10W		R526	BIRC1040105A00	C RESISTOR	100KΩ 1/10W	
R426	BIRC2220105A00	C RESISTOR	2.2KΩ 1/10W		R528	BIRC1030105A00	C RESISTOR	10KΩ 1/10W	
R427	BIRC2220105A00	C RESISTOR	2.2KΩ 1/10W		R533	BIRC1030105A00	C RESISTOR	10KΩ 1/10W	
R428	BIRC1230085M00	C RESISTOR	12 KΩ 1/8W		R537	BIRC3920105A00	C RESISTOR	3.9KΩ 1/10W	
R429	BIRC1230085M00	C RESISTOR	12 KΩ 1/8W		R538	BIRC2220105A00	C RESISTOR	2.2KΩ 1/10W	
R430	BIRC1820105A00	C RESISTOR	1.8KΩ 1/10W		R539	BIRC2220105A00	C RESISTOR	2.2KΩ 1/10W	
R431	BIRC2220105A00	C RESISTOR	2.2KΩ 1/10W		R540	BIRC4720105A00	C RESISTOR	4.7KΩ 1/10W	
R432	BIRC1520085N00	C RESISTOR	1.5KΩ 1/8W		R541	BIRC4720105A00	C RESISTOR	4.7KΩ 1/10W	
R433	BIRC1030105A00	C RESISTOR	10KΩ 1/10W		R542	BIRC1030105A00	C RESISTOR	10KΩ 1/10W	
R434	BIRC1020105A00	C RESISTOR	1KΩ 1/10W		R543	BIRC1030105A00	C RESISTOR	10KΩ 1/10W	
R435	BIRC1020105A00	C RESISTOR	1KΩ 1/10W		R546	BIRC5620105A00	C RESISTOR	5.6KΩ 1/10W	
R436	BIRC1020105A00	C RESISTOR	1KΩ 1/10W		R547	BIRC5620105A00	C RESISTOR	5.6KΩ 1/10W	
R437	BIRC1020105A00	C RESISTOR	1KΩ 1/10W		R548	BIRC4710105A00	C RESISTOR	470Ω 1/10W	
R438	BIRC2220105A00	C RESISTOR	2.2KΩ 1/10W		R549	BIRC4710105A00	C RESISTOR	470Ω 1/10W	
R439	BIRC1820105A00	C RESISTOR	1.8KΩ 1/10W		R550	BIRC3920105A00	C RESISTOR	3.9KΩ 1/10W	
R440	BIRC1530105A00	C RESISTOR	15KΩ 1/10W		R557	BIRC1030105A00	C RESISTOR	10KΩ 1/10W	
R441	BIRC1530105A00	C RESISTOR	15KΩ 1/10W		R558	BIRC4720105A00	C RESISTOR	4.7KΩ 1/10W	
R442	BIRC2220105A00	C RESISTOR	2.2KΩ 1/10W		R559	BIRC4730105A00	C RESISTOR	47KΩ 1/10W	
R443	BIRC2220105A00	C RESISTOR	2.2KΩ 1/10W		R560	BIRC2230105A00	C RESISTOR	22KΩ 1/10W	
R444	BIRC3320085M00	C RESISTOR	3.3KΩ 1/8W		R561	BIRC2230105A00	C RESISTOR	22KΩ 1/10W	
R445	BIRC4720105A00	C RESISTOR	4.7KΩ 1/10W		R562	BIRC2230105A00	C RESISTOR	22KΩ 1/10W	
R446	BIRC1510105A00	C RESISTOR	150Ω 1/10W		R563	BIRC4710105A00	C RESISTOR	47KΩ 1/10W	
R447	BIRC3320085M00	C RESISTOR	3.3KΩ 1/8W		R566	BIRC6820105A00	C RESISTOR	6.8KΩ 1/10W	
R448	BIRC4720105A00	C RESISTOR	4.7KΩ 1/10W		R567	BIRC3320105A00	C RESISTOR	3.3KΩ 1/10W	
R449	BIRC1510105A00	C RESISTOR	150Ω 1/10W		R570	BIRC4720105A00	C RESISTOR	4.7KΩ 1/10W	
					R571	BIRC4710045M00	C RESISTOR	470Ω 1/4W	

Symbol No.	Part No.	Part Name	Description	Local	Symbol No.	Part No.	Part Name	Description	Local
R572	BIRC4720085M00	C RESISTOR	4.7KΩ 1/8W		R821	BIRC1020085M00	C RESISTOR	1KΩ 1/8W J	
R573	BIRC2210085M00	C RESISTOR	220Ω 1/8W		R850	BIRC1020105A00	C RESISTOR	1KΩ 1/10W	
R574	BIRC1030105A00	C RESISTOR	10KΩ 1/10W		L301	BI26100000KN00	FIXED INDUCTOR	10uH	
R575	BIRC1010085M00	C RESISTOR	100Ω 1/8W J		L302	BI18A843556N00	FILTER BEAD	843556	
R576	BIRC2220085M00	C RESISTOR	2.2KΩ 1/8W		L304	BI18A916121A00	FERRITE BEAD	120Ω	
R577	BIRC2220085M00	C RESISTOR	2.2KΩ 1/8W		L501	BI18A843556N00	FILTER BEAD	843556	
R578	BIRC4710045M00	C RESISTOR	470Ω 1/4W		L503	BI18A843556N00	FILTER BEAD	843556	
R579	BIRC4700085M00	C RESISTOR	47Ω 1/8W		L505	BICH103500KM01	C CAPACITOR	0.01uF 50V	
R580	BIRC1040105A00	C RESISTOR	100KΩ 1/10W		L509	BI18A843556N00	FILTER BEAD	843556	
R581	BIRC3320105A00	C RESISTOR	3.3KΩ 1/10W		L702	BI26100000KN00	FIXED INDUCTOR	10uH	
R585	BIRC0000105A00	C RESISTOR	0Ω 1/10W		L801	BI26100000KN00	FIXED INDUCTOR	10uH	
R586	BIRC0000105A00	C RESISTOR	0Ω 1/10W		L802	BI26100000KN00	FIXED INDUCTOR	10uH	
R597	BIRC4710045M00	C RESISTOR	470Ω 1/4W		L803	BI26100000KN00	FIXED INDUCTOR	10uH	
R598	BIRC2210085M00	C RESISTOR	220Ω 1/8W		L804	BI26100000KN00	FIXED INDUCTOR	10uH	
R701	BIRC0820105A00	C RESISTOR	8.2Ω 1/10W		L805	BI26100000KN00	FIXED INDUCTOR	10uH	
R702	BIRC8230105A00	C RESISTOR	82KΩ 1/10W		L806	BIRC0000105A00	C RESISTOR	0Ω 1/10W	
R703	BIRC3930105A00	C RESISTOR	39KΩ 1/10W		L807	BI18A843556N00	FILTER BEAD	843556	
R704	BIRC3930105A00	C RESISTOR	39KΩ 1/10W		L808	BI18A843556N00	FILTER BEAD	843556	
R705	BIRC3930105A00	C RESISTOR	39KΩ 1/10W		T401	BI603141V	COIL OSC		
R706	BIRC3930105A00	C RESISTOR	39KΩ 1/10W		CN201	BI12S1800061V	CONNECTOR	18P	
R707	BIRC8230105A00	C RESISTOR	82KΩ 1/10W		CN205	BI12S30039	CONNECTOR	3P	
R708	BIRC3940105A00	C RESISTOR	390KΩ 1/10W		CN301	BI12S30039	CONNECTOR	3P	
R709	BIRC4720105A00	C RESISTOR	4.7KΩ 1/10W		CN302	BI12S80024	CONNECTOR	8P	
R710	BIRC1010105A00	C RESISTOR	100Ω 1/10W		CN303	BI12S90024V	FFC CONNECTOR	9P	
R711	BIRC8220105A00	C RESISTOR	8.2KΩ 1/10W		CN306	BI12S100047X	CONNECTOR	10P	
R714	BIRC1030105A00	C RESISTOR	10KΩ 1/10W		CN601	BI12S240004V	FFC CONNECTOR	24P	
R715	BIRC1830105A00	C RESISTOR	18KΩ 1/10W		CN701	BI12S160031V	FFC CONNECTOR	16P	
R716	BIRC2230105A00	C RESISTOR	22KΩ 1/10W		CN702	BI12P60142V	CONNECTOR WIRE	6P to CD MECHA	
R717	BIRC1050105A00	C RESISTOR	1MΩ 1/10W		CN703	BI12P100051X	CONNECTOR WIRE	10P to CD PICK UP	
R718	BIRC1030105A00	C RESISTOR	10KΩ 1/10W		JR301	BIRC0000105A00	C RESISTOR	0Ω 1/10W	
R719	BIRC5620105A00	C RESISTOR	5.6KΩ 1/10W		JR302	BIRC0000105A00	C RESISTOR	0Ω 1/10W	
R720	BIRC1020105A00	C RESISTOR	1KΩ 1/10W		JR401	BIRC0000105A00	C RESISTOR	0Ω 1/10W	
R721	BIRC1030105A00	C RESISTOR	10KΩ 1/10W		JR402	BIRC0000105A00	C RESISTOR	0Ω 1/10W	
R722	BIRC1030105A00	C RESISTOR	10KΩ 1/10W		JR403	BIRC0000105A00	C RESISTOR	0Ω 1/10W	
R723	BIRC6830105A00	C RESISTOR	68KΩ 1/10W		JR404	BIRC0000105A00	C RESISTOR	0Ω 1/10W	
R724	BIRC5630105A00	C RESISTOR	56KΩ 1/10W		JR408	BIRC0000105A00	C RESISTOR	0Ω 1/10W	
R725	BIRC1530105A00	C RESISTOR	15KΩ 1/10W		JR701	BIRC0000105A00	C RESISTOR	0Ω 1/10W	
R726	BIRC4730105A00	C RESISTOR	47KΩ 1/10W		JR702	BIRC0000105A00	C RESISTOR	0Ω 1/10W	
R727	BIRC8230105A00	C RESISTOR	82KΩ 1/10W		JR703	BIRC0000085A00	C RESISTOR	0Ω 1/8W	
R728	BIRC3930105A00	C RESISTOR	39KΩ 1/10W		JR801	BIRC0000085A00	C RESISTOR	0Ω 1/8W	
R729	BIRC3940105A00	C RESISTOR	390KΩ 1/10W		X801	BI2102361	CRYSTAL	16.9344MHz	
R730	BIRC1240105A00	C RESISTOR	120KΩ 1/10W		XT301	BI2101012	CRYSTAL	32.768KHz	
R731	BIRC1040105A00	C RESISTOR	100KΩ 1/10W		XT302	BI29ZTA8.00P015	C RESONATOR	8MHz	
R732	BIRC4730105A00	C RESISTOR	47KΩ 1/10W						
R750	BIRC8200105A00	C RESISTOR	82Ω 1/10W						
R751	BIRC1010105A00	C RESISTOR	100Ω 1/10W						
R752	BIRC1330105A00	C RESISTOR	13KΩ 1/10W						
R753	BIRC1330105A00	C RESISTOR	13KΩ 1/10W						
R754	BIRC1330105A00	C RESISTOR	13KΩ 1/10W						
R755	BIRC1330105A00	C RESISTOR	13KΩ 1/10W						
R756	BIRC1020085N00	C RESISTOR	1KΩ 1/8W						
R757	BIRC1020085N00	C RESISTOR	1KΩ 1/8W						
R758	BIRC1810105A00	C RESISTOR	180Ω 1/10W						
R759	BIRC1030105A00	C RESISTOR	10KΩ 1/10W						
R760	BIRC1030105A00	C RESISTOR	10KΩ 1/10W						
R761	BIRC6820105A00	C RESISTOR	6.8KΩ 1/10W						
R762	BIRC1020085M00	C RESISTOR	1KΩ 1/8W J						
R763	BIRC2020105A00	C RESISTOR	2KΩ 1/10W						
R764	BIRC0100025N00	C RESISTOR	1Ω 1/2W						
R780	BIRC1010105A00	C RESISTOR	100Ω 1/10W						
R781	BIRC1010105A00	C RESISTOR	100Ω 1/10W						
R782	BIRC1010105A00	C RESISTOR	100Ω 1/10W						
R801	BIRC1210105A00	C RESISTOR	120Ω 1/10W						
R802	BIRC1010085M00	C RESISTOR	100Ω 1/8W J						
R803	BIRC1010085M00	C RESISTOR	100Ω 1/8W J						
R804	BIRC1050105A00	C RESISTOR	1MΩ 1/10W						
R805	BIRC1010105A00	C RESISTOR	100Ω 1/10W						
R806	BIRC1010105A00	C RESISTOR	100Ω 1/10W						
R807	BIRC1010105A00	C RESISTOR	100Ω 1/10W						
R808	BIRC1040105A00	C RESISTOR	100KΩ 1/10W						
R809	BIRC1040105A00	C RESISTOR	100KΩ 1/10W						
R810	BIRC1010105A00	C RESISTOR	100Ω 1/10W						
R811	BIRC1010105A00	C RESISTOR	100Ω 1/10W						
R814	BIRC1210085M00	C RESISTOR	120Ω 1/8W						
R815	BIRC1020105A00	C RESISTOR	1KΩ 1/10W						
R816	BIRC1010105A00	C RESISTOR	100Ω 1/10W						
R817	BIRC1010105A00	C RESISTOR	100Ω 1/10W						

Front board

(MX-KC45UW,MX-KC45UY.MX-KC45UJ)

Block No. [1][0]

Symbol No.	Part No.	Part Name	Description	Local
IC201	BI115291X	IC	RPM7138-V4	
IC202	BI116661X	IC	S5G5128A	
D201	1SS133	FR DIODE	BI31SS133M000V7	
D202	1SS133	FR DIODE	BI31SS133M000V7	
D206	1SS133	FR DIODE	BI31SS133M000V7	
D207	1SS133	FR DIODE	BI31SS133M000V7	
D208	1SS133	FR DIODE	BI31SS133M000V7	
C201	BICC103500KA02	C CAPACITOR	0.01uF 50V	
C202	BICC103500KA02	C CAPACITOR	0.01uF 50V	
C203	BICE106500MP01	E CAPACITOR	10uF 50V	
C204	BICC102500KA04	C CAPACITOR	1000pF 50V	
C205	BICE226500MP01	E CAPACITOR	22uF 50V	

Symbol No.	Part No.	Part Name	Description	Local	Symbol No.	Part No.	Part Name	Description	Local
C207	BICE226500MP01	E CAPACITOR	22uF 50V		R272	BIRC4730105A00	C RESISTOR	47KΩ 1/10W	
C209	BICC104500KA04	C CAPACITOR	0.1uF 50V		R273	BIRC4730105A00	C RESISTOR	47KΩ 1/10W	
C211	BICE107500MP01	E CAPACITOR	100uF 50V		R274	BIRC4730105A00	C RESISTOR	47KΩ 1/10W	
C212	BICC104500KA04	C CAPACITOR	0.1uF 50V		R275	BIRC4730105A00	C RESISTOR	47KΩ 1/10W	
C213	BICC104500KA04	C CAPACITOR	0.1uF 50V		R276	BIRC4730105A00	C RESISTOR	47KΩ 1/10W	
C221	BICC102500KA04	C CAPACITOR	1000pF 50V		R277	BIRC4730105A00	C RESISTOR	47KΩ 1/10W	
C222	BICC102500KA04	C CAPACITOR	1000pF 50V		R278	BIRC4730105A00	C RESISTOR	47KΩ 1/10W	
C225	BICC104500KA04	C CAPACITOR	0.1uF 50V		R279	BIRC4730105A00	C RESISTOR	47KΩ 1/10W	
C226	BICC104500KA04	C CAPACITOR	0.1uF 50V		R280	BIRC4730105A00	C RESISTOR	47KΩ 1/10W	
C227	BICC101500JA04	C CAPACITOR	100pF 50V		R281	BIRC4730105A00	C RESISTOR	47KΩ 1/10W	
C228	BICC101500JA04	C CAPACITOR	100pF 50V		R282	BIRC4730105A00	C RESISTOR	47KΩ 1/10W	
C229	BICC101500JA04	C CAPACITOR	100pF 50V		R283	BIRC4730105A00	C RESISTOR	47KΩ 1/10W	
C230	BICC102500KA04	C CAPACITOR	1000pF 50V		R284	BIRC4730105A00	C RESISTOR	47KΩ 1/10W	
C231	BICC102500KA04	C CAPACITOR	1000pF 50V		R285	BIRC1810045M00	C RESISTOR	180Ω 1/4W	
C233	BICE108063MP01	E CAPACITOR	1000uF 6.3V		R286	BIRC1810045M00	C RESISTOR	180Ω 1/4W	
					VR201	BI804401V	ROTARY SW	RE012307PVB30	
R203	BIRC1030105A00	C RESISTOR	10KΩ 1/10W		L201	BI26100000KM00	FIXED INDUCTOR	10uH	
R204	BIRC1030105A00	C RESISTOR	10KΩ 1/10W		L202	BI26100000KM00	FIXED INDUCTOR	10uH	
R205	BIRC1010105A00	C RESISTOR	100Ω 1/10W		L203	BI18A843556N00	FILTER BEAD	843556	
R206	BIRC2210105A00	C RESISTOR	220Ω 1/10W						
R207	BIRC0100105A00	C RESISTOR	1Ω 1/10W		CN201	BI12S30081X	CONNECTOR	3P	
R208	BIRC0100105A00	C RESISTOR	1Ω 1/10W		CN203	BI12P30272X	CONNECTOR WIRE	3P to FRONT CN201	
R209	BIRC1000085M00	C RESISTOR	10Ω 1/8W		CW201	BI12S1800071	FFC CONNECTOR	18P	
R210	BIRC2730105A00	C RESISTOR	27KΩ 1/10W		CW202	BI12P402341V	CONNECTOR WIRE	4P to AMP CN202	
R212	BIRC1030105A00	C RESISTOR	10KΩ 1/10W		CW205	BI12P30270X	CONNECTOR WIRE	3P MAIN CN205	
R213	BIRC1030105A00	C RESISTOR	10KΩ 1/10W		FL201	BI2702381X	FL DISPLAY	HNAC 17LM3 41P	
R214	BIRC1030105A00	C RESISTOR	10KΩ 1/10W		JK201	BI2301211	MINI JACK	CKX-3.5- 25	
R215	BIRC9110105A00	C RESISTOR	910Ω 1/10W		JK202	BI2301211	MINI JACK	CKX-3.5- 25	
R216	BIRC1120105A00	C RESISTOR	1.1KΩ 1/10W		LD201	BI28B4541EP01	LED	RED BL-B4541-AV-TBS2	
R217	BIRC1320105A00	C RESISTOR	1.3KΩ 1/10W		S201	BI8SKRGAED0P0	TACT SWITCH	SKRGAED010	
R218	BIRC1820105A00	C RESISTOR	1.8KΩ 1/10W		S202	BI8SKRGAED0P0	TACT SWITCH	SKRGAED010	
R219	BIRC2020105A00	C RESISTOR	2KΩ 1/10W		S203	BI8SKRGAED0P0	TACT SWITCH	SKRGAED010	
R220	BIRC3020105A00	C RESISTOR	3KΩ 1/10W		S204	BI8SKRGAED0P0	TACT SWITCH	SKRGAED010	
R221	BIRC3920105A00	C RESISTOR	3.9KΩ 1/10W		S205	BI8SKRGAED0P0	TACT SWITCH	SKRGAED010	
R222	BIRC1030105A00	C RESISTOR	10KΩ 1/10W		S206	BI8SKRGAED0P0	TACT SWITCH	SKRGAED010	
R223	BIRC9110105A00	C RESISTOR	910Ω 1/10W		S207	BI8SKRGAED0P0	TACT SWITCH	SKRGAED010	
R224	BIRC1120105A00	C RESISTOR	1.1KΩ 1/10W		S208	BI8SKRGAED0P0	TACT SWITCH	SKRGAED010	
R225	BIRC1320105A00	C RESISTOR	1.3KΩ 1/10W		S209	BI8SKRGAED0P0	TACT SWITCH	SKRGAED010	
R226	BIRC1820105A00	C RESISTOR	1.8KΩ 1/10W		S210	BI8SKRGAED0P0	TACT SWITCH	SKRGAED010	
R227	BIRC2020105A00	C RESISTOR	2KΩ 1/10W		S211	BI8SKRGAED0P0	TACT SWITCH	SKRGAED010	
R228	BIRC3020105A00	C RESISTOR	3KΩ 1/10W		S212	BI8SKRGAED0P0	TACT SWITCH	SKRGAED010	
R229	BIRC3920105A00	C RESISTOR	3.9KΩ 1/10W		S213	BI8SKRGAED0P0	TACT SWITCH	SKRGAED010	
R230	BIRC6220105A00	C RESISTOR	6.2KΩ 1/10W		S214	BI8SKRGAED0P0	TACT SWITCH	SKRGAED010	
R231	BIRC9110105A00	C RESISTOR	910Ω 1/10W		S215	BI8SKRGAED0P0	TACT SWITCH	SKRGAED010	
R232	BIRC1120105A00	C RESISTOR	1.1KΩ 1/10W		S216	BI8SKRGAED0P0	TACT SWITCH	SKRGAED010	
R233	BIRC1320105A00	C RESISTOR	1.3KΩ 1/10W		S217	BI8SKRGAED0P0	TACT SWITCH	SKRGAED010	
R234	BIRC1820105A00	C RESISTOR	1.8KΩ 1/10W		S218	BI8SKRGAED0P0	TACT SWITCH	SKRGAED010	
R235	BIRC2020105A00	C RESISTOR	2KΩ 1/10W		S219	BI8SKRGAED0P0	TACT SWITCH	SKRGAED010	
R236	BIRC3020105A00	C RESISTOR	3KΩ 1/10W		S220	BI8SKRGAED0P0	TACT SWITCH	SKRGAED010	
R237	BIRC3920105A00	C RESISTOR	3.9KΩ 1/10W		S221	BI8SKRGAED0P0	TACT SWITCH	SKRGAED010	
R238	BIRC6220105A00	C RESISTOR	6.2KΩ 1/10W		S222	BI8SKRGAED0P0	TACT SWITCH	SKRGAED010	
R241	BIRC1030105A00	C RESISTOR	10KΩ 1/10W		S223	BI8SKRGAED0P0	TACT SWITCH	SKRGAED010	
R247	BIRC1020105A00	C RESISTOR	1KΩ 1/10W		S224	BI8SKRGAED0P0	TACT SWITCH	SKRGAED010	
R248	BIRC1020085M00	C RESISTOR	1KΩ 1/8W J		S225	BI8SKRGAED0P0	TACT SWITCH	SKRGAED010	
R249	BIRC1020085M00	C RESISTOR	1KΩ 1/8W J		S226	BI8SKRGAED0P0	TACT SWITCH	SKRGAED010	
R250	BIRC1020085M00	C RESISTOR	1KΩ 1/8W J		S227	BI8SKRGAED0P0	TACT SWITCH	SKRGAED010	
R251	BIRC4730105A00	C RESISTOR	47KΩ 1/10W		S228	BI8SKRGAED0P0	TACT SWITCH	SKRGAED010	
R252	BIRC4730105A00	C RESISTOR	47KΩ 1/10W		XXXXX	BI1206721X	FLAT CABLE	8P CW215 to CW203	
R253	BIRC4730105A00	C RESISTOR	47KΩ 1/10W						
R254	BIRC4730105A00	C RESISTOR	47KΩ 1/10W						
R255	BIRC4730105A00	C RESISTOR	47KΩ 1/10W						
R256	BIRC4730105A00	C RESISTOR	47KΩ 1/10W						
R257	BIRC4730105A00	C RESISTOR	47KΩ 1/10W						
R258	BIRC4730105A00	C RESISTOR	47KΩ 1/10W						
R259	BIRC4730105A00	C RESISTOR	47KΩ 1/10W						
R260	BIRC4730105A00	C RESISTOR	47KΩ 1/10W						
R261	BIRC4730105A00	C RESISTOR	47KΩ 1/10W						
R262	BIRC4730105A00	C RESISTOR	47KΩ 1/10W						
R263	BIRC4730105A00	C RESISTOR	47KΩ 1/10W						
R264	BIRC4730105A00	C RESISTOR	47KΩ 1/10W						
R265	BIRC4730105A00	C RESISTOR	47KΩ 1/10W						
R266	BIRC4730105A00	C RESISTOR	47KΩ 1/10W						
R267	BIRC4730105A00	C RESISTOR	47KΩ 1/10W						
R268	BIRC4730105A00	C RESISTOR	47KΩ 1/10W						
R269	BIRC4730105A00	C RESISTOR	47KΩ 1/10W						
R270	BIRC4730105A00	C RESISTOR	47KΩ 1/10W						
R271	BIRC4730105A00	C RESISTOR	47KΩ 1/10W						

Amp board

(MX-KC45UW,MX-KC45UY,MX-KC45UJ)

Block No. [1][1]

Symbol No.	Part No.	Part Name	Description	Local
IC601	BI118201X	IC	STK412-430-E	
Q101	2SC3052	TRANSISTOR	BI2SC3052FA013 H	
Q111	KTA1273Y	TRANSISTOR	BI2KTA1273YP000	
Q112	2SC3052	TRANSISTOR	BI2SC3052FA013 H	
Q113	2SC3052	TRANSISTOR	BI2SC3052FA013 H	
Q114	KTA1273Y	TRANSISTOR	BI2KTA1273YP000	
Q201	2SC3052	TRANSISTOR	BI2SC3052FA013 H	
Q601	2SC3052	TRANSISTOR	BI2SC3052FA013 H	
Q604	2SB1370	TRANSISTOR	BI22SB1370E7	
Q605	2SC3052	TRANSISTOR	BI2SC3052FA013 H	
Q607	KTA1273Y	TRANSISTOR	BI2KTA1273YP000	
Q608	2SB1370	TRANSISTOR	BI22SB1370E7	
Q609	2SC3052	TRANSISTOR	BI2SC3052FA013 H	
Q610	2SC3052	TRANSISTOR	BI2SC3052FA013 H	
Q611	DTC323TK	DIGI TRANSISTOR	BI2DTC323TKA01 1	
Q612	DTC323TK	DIGI TRANSISTOR	BI2DTC323TKA01 1	
Q613	KTA1267GR	TRANSISTOR	BI2KTA1267GP00 0	
Q614	KTA1267GR	TRANSISTOR	BI2KTA1267GP00 0	
Q615	2SC3052	TRANSISTOR	BI2SC3052FA013 H	
Q616	2SC3052	TRANSISTOR	BI2SC3052FA013 H	
Q617	2SC3052	TRANSISTOR	BI2SC3052FA013 H	
Q618	2SC3052	TRANSISTOR	BI2SC3052FA013 H	
Q619	DTA114YK	DIGI TRANSISTOR	BI2DTA114YKA01 8	
Q620	DTA114YK	DIGI TRANSISTOR	BI2DTA114YKA01 8	
Q621	DTA114YK	DIGI TRANSISTOR	BI2DTA114YKA01 8	
Q622	DTC323TK	DIGI TRANSISTOR	BI2DTC323TKA01 1	
Q623	DTC323TK	DIGI TRANSISTOR	BI2DTC323TKA01 1	
Q624	DTA114YK	DIGI TRANSISTOR	BI2DTA114YKA01 8	
D101	1N4003	DIODE	BI31N4003LEM000	
D102	1N4003	DIODE	BI31N4003LEM000	
D103	1N4003	DIODE	BI31N4003LEM000	
D105	1SS133	FR DIODE	BI31SS133M000V 7	
D106	1SS133	FR DIODE	BI31SS133M000V 7	
D107	1SS133	FR DIODE	BI31SS133M000V 7	
D108	1SS133	FR DIODE	BI31SS133M000V 7	
D109	MC2838	DIODE	BI3MC2838A002	
D601	1N4003	DIODE	BI31N4003LEM000	
D602	1N4003	DIODE	BI31N4003LEM000	
D603	1N4003	DIODE	BI31N4003LEM000	
D605	1N4003	DIODE	BI31N4003LEM000	
D606	1N4003	DIODE	BI31N4003LEM000	
D607	UZ12BSC	Z DIODE	BI3UZ12BSCM000 V	
D609	UZ30BSD	Z DIODE	BI3UZ30BSDM000 0	
D610	UZ6.2BSB	Z DIODE	BI3UZ6.2BSBM000	
D611	UZ5.6BSB	Z DIODE	BI3UZ5.6BSBM000	

Symbol No.	Part No.	Part Name	Description	Local
D613	1N4003	DIODE	BI31N4003LEM000	
D614	RS402M	SELEN RECTIFIER	BI3RS402M1	
D615	GBU6J	DIODE	BI3GBU6J1V	
D616	UZ12BSC	Z DIODE	BI3UZ12BSCM000 V	
D617	UZ12BSC	Z DIODE	BI3UZ12BSCM000 V	
D618	1SS133	FR DIODE	BI31SS133M000V 7	
D619	1SS133	FR DIODE	BI31SS133M000V 7	
D620	1SS133	FR DIODE	BI31SS133M000V 7	
D621	1SS133	FR DIODE	BI31SS133M000V 7	
D622	1SS133	FR DIODE	BI31SS133M000V 7	
D623	1SS133	FR DIODE	BI31SS133M000V 7	
D624	1SS133	FR DIODE	BI31SS133M000V 7	
D625	1SS133	FR DIODE	BI31SS133M000V 7	
D626	1SS133	FR DIODE	BI31SS133M000V 7	
D631	1SS133	FR DIODE	BI31SS133M000V 7	
C101	BICE108250MP01	E CAPACITOR	1000uF 25V	
C102	BICE107100MP01	E CAPACITOR	100uF 10V	
C113	BICE107100MP01	E CAPACITOR	100uF 10V	
C114	BICE105500MP01	E CAPACITOR	1uF 50V	
C115	BICE476160MP01	E CAPACITOR	47uF 16V	
C116	BICE107160MP01	E CAPACITOR	100uF 16V	
C117	BICE107160MP01	E CAPACITOR	100uF 16V	
C118	BICE107160MP01	E CAPACITOR	100uF 16V	
C601	BICC104250ZA04	C CAPACITOR	0.1uF 25V	
C602	BICC104250ZA04	C CAPACITOR	0.1uF 25V	
C603	BICC104250ZA04	C CAPACITOR	0.1uF 25V	
C604	BICC104250ZA04	C CAPACITOR	0.1uF 25V	
C605	BICE47825M0	E CAPACITOR	4700uF 25V	
C606	BICE105500MP01	E CAPACITOR	1uF 50V	
C607	BICE107250MP01	E CAPACITOR	100uF 25V	
C608	BICC104250ZA04	C CAPACITOR	0.1uF 25V	
C609	BICE107160MP01	E CAPACITOR	100uF 16V	
C610	BICE476630MP01	E CAPACITOR	47uF 63V	
C611	BICE226500MP01	E CAPACITOR	22uF 50V	
C612	BICC103500KA04	C CAPACITOR	0.01uF 50V	
C613	BICE226500MP01	E CAPACITOR	22uF 50V	
C614	BICE106250MP01	E CAPACITOR	10uF 25V	
C615	BICC103500KA04	C CAPACITOR	0.01uF 50V	
C616	BICE477100MP01	E CAPACITOR	470uF 10V	
C617	BICM682101KP01	M CAPACITOR	6800pF 100V	
C618	BICM682101KP01	M CAPACITOR	6800pF 100V	
C619	BICM682101KP01	M CAPACITOR	6800pF 100V	
C620	BICM682101KP01	M CAPACITOR	6800pF 100V	
C621	BICM682101KP01	M CAPACITOR	6800pF 100V	
C622	BICM682101KP01	M CAPACITOR	6800pF 100V	
C623	BICE47850MSNY3	E CAPACITOR	4700uF 50V	
C624	BICE47850MSNY3	E CAPACITOR	4700uF 50V	
C625	BICE33871M2Y	E CAPACITOR	3300uF 71V	
C626	BICE33871M2Y	E CAPACITOR	3300uF 71V	
C627	BICM682101KP01	M CAPACITOR	6800pF 100V	
C628	BICM682101KP01	M CAPACITOR	6800pF 100V	
C631	BICE107101MP01	E CAPACITOR	100uF 100V	
C632	BICE107101MP01	E CAPACITOR	100uF 100V	
C633	BICC101500JA04	C CAPACITOR	100pF 50V	
C634	BICC101500JA04	C CAPACITOR	100pF 50V	
C635	BICE107100MP01	E CAPACITOR	100uF 10V	
C636	BICE107100MP01	E CAPACITOR	100uF 10V	
C637	BICC030500CA04	C CAPACITOR	3pF 50V	
C638	BICC030500CA04	C CAPACITOR	3pF 50V	
C639	BICC102500JA04	C CAPACITOR	1000pF 50V	
C640	BICC102500JA04	C CAPACITOR	1000pF 50V	
C641	BICE475500MP01	E CAPACITOR	4.7uF 50V	
C642	BICE475500MP01	E CAPACITOR	4.7uF 50V	
C643	BICE475500MP01	E CAPACITOR	4.7uF 50V	
C644	BICE105500MP01	E CAPACITOR	1uF 50V	
C645	BICM104101KP01	M CAPACITOR	0.1uF 100V	

Symbol No.	Part No.	Part Name	Description	Local	Symbol No.	Part No.	Part Name	Description	Local
C646	BICM104101KP01	M CAPACITOR	0.1uF 100V		R650	BIRC1040105A00	C RESISTOR	100KΩ 1/10W	
C647	BICM104101KP01	M CAPACITOR	0.1uF 100V		R651	BIRC1040105A00	C RESISTOR	100KΩ 1/10W	
C648	BICM104101KP01	M CAPACITOR	0.1uF 100V		R652	BIRC1040105A00	C RESISTOR	100KΩ 1/10W	
C649	BICC121500JA04	C CAPACITOR	120pF 50V		R653	BIRC0000105A00	C RESISTOR	0Ω 1/10W	
C650	BICE476160MP01	E CAPACITOR	47uF 16V		R654	BIRC1020105A00	C RESISTOR	1KΩ 1/10W	
C651	BICC223500KA04	C CAPACITOR	0.022uF 50V		R655	BIRC1030105A00	C RESISTOR	10KΩ 1/10W	
C652	BICE226500MP01	E CAPACITOR	22uF 50V		R656	BIRC1500085M00	C RESISTOR	15Ω 1/8W	
C653	BICE227100MP01	E CAPACITOR	220uF 10V		R657	BIRC6840105A00	C RESISTOR	680KΩ 1/10W	
C654	BICE106250MP01	E CAPACITOR	10uF 25V		R658	BIRC4730105A00	C RESISTOR	47KΩ 1/10W	
C655	BICC153500KA04	C CAPACITOR	0.015uF 50V		R659	BIRC2220105A00	C RESISTOR	2.2KΩ 1/10W	
C656	BICC153500KA04	C CAPACITOR	0.015uF 50V		R660	BIRC3920105A00	C RESISTOR	3.9KΩ 1/10W	
R101	BIRC4720105A00	C RESISTOR	4.7KΩ 1/10W		R661	BIRC1030105A00	C RESISTOR	10KΩ 1/10W	
R102	BIRC2220105A00	C RESISTOR	2.2KΩ 1/10W		R662	BIRC1020105A00	C RESISTOR	1KΩ 1/10W	
R103	BIRC2230105A00	C RESISTOR	22KΩ 1/10W		R663	BIRC1030105A00	C RESISTOR	10KΩ 1/10W	
R104	BIRC2230105A00	C RESISTOR	22KΩ 1/10W		R664	BIRC1020105A00	C RESISTOR	1KΩ 1/10W	
R110	BIRC0220105A00	C RESISTOR	2.2Ω 1/10W		R665	BIRM1020N25N00	M RESISTOR	1KΩ 2W	
R112	BIRC4710105A00	C RESISTOR	470Ω 1/10W		R666	BIRM1020N25N00	M RESISTOR	1KΩ 2W	
R113	BIRC1020105A00	C RESISTOR	1KΩ 1/10W		R669	BIRC1220105A00	C RESISTOR	1.2KΩ 1/10W	
R114	BIRC5600105A00	C RESISTOR	56Ω 1/10W		R671	BIRC1030085M00	C RESISTOR	10KΩ 1/8W J	
R115	BIRC2240105A00	C RESISTOR	220KΩ 1/10W		R672	BIRC3300045M00	C RESISTOR	33KΩ 1/4W	
R116	BIRC4730105A00	C RESISTOR	47KΩ 1/10W		R679	BIRC0000105A00	C RESISTOR	0Ω 1/10W	
R117	BIRC4710105A00	C RESISTOR	470Ω 1/10W		R681	BIRC3330085M00	C RESISTOR	33KΩ 1/8W	
R118	BIRC1020105A00	C RESISTOR	1KΩ 1/10W		R682	BIRC3330085M00	C RESISTOR	33KΩ 1/8W	
R119	BIRC1020105A00	C RESISTOR	1KΩ 1/10W		R683	BIRC4730085M00	C RESISTOR	47KΩ 1/8W	
R120	BIRC3330105A00	C RESISTOR	33KΩ 1/10W		R684	BIRC4730105A00	C RESISTOR	47KΩ 1/10W	
R121	BIRC3330105A00	C RESISTOR	33KΩ 1/10W		L601	BI2601141	COIL	3.0uH	
R123	BIRC1020105A00	C RESISTOR	1KΩ 1/10W		L602	BI2601141	COIL	3.0uH	
R124	BIRC1020105A00	C RESISTOR	1KΩ 1/10W		CN202	BI12S40047	CONNECTOR	4P	
R600	BIRC8210105A00	C RESISTOR	820Ω 1/10W		CN602	BI12S20016	CONNECTOR	2P	
R601	BIRC4720105A00	C RESISTOR	4.7KΩ 1/10W		CN603	BI12S300471V	CONNECTOR	3P	
R602	BIRC5600105A00	C RESISTOR	56Ω 1/10W		CN902	BI12S60127X	CONNECTOR	6P	
R605	BIRC1020105A00	C RESISTOR	1KΩ 1/10W		CN903	BI12S80060V	CONNECTOR	8P	
R606	BIRC3320105A00	C RESISTOR	3.3KΩ 1/10W		CW601	BI12S240004V	FFC CONNECTOR	24P	
R607	BIRC2220105A00	C RESISTOR	2.2KΩ 1/10W		JK601	BI2301571X	TERMINAL SPK	4P	
R608	BIRC1010085N00	C RESISTOR	100Ω 1/8W		△ RF601	BIRF3300025N00	FUSE RESISTOR	33Ω 1/2W	
R609	BIRC1010085N00	C RESISTOR	100Ω 1/8W		RY601	BI8RL00191V	RELAY	DC12V ME-7C-012-3H	
R610	BIRC1540105A00	C RESISTOR	150KΩ 1/10W						
R611	BIRC5630105A00	C RESISTOR	56KΩ 1/10W						
R612	BIRC4720105A00	C RESISTOR	4.7KΩ 1/10W						
△ R613	BIRF1010025N00	FUSE RESISTOR	100Ω 1/2W						
△ R614	BIRF1010025N00	FUSE RESISTOR	100Ω 1/2W						
R615	BIRC1520025N00	C RESISTOR	1.5KΩ 1/2W						
R616	BIRC1520025N00	C RESISTOR	1.5KΩ 1/2W						
R617	BIRC5610105A00	C RESISTOR	560Ω 1/10W						
R618	BIRC0000105A00	C RESISTOR	0Ω 1/10W						
R619	BIRC3330105A00	C RESISTOR	33KΩ 1/10W						
R620	BIRC3330105A00	C RESISTOR	33KΩ 1/10W						
R621	BIRC5610105A00	C RESISTOR	560Ω 1/10W						
R622	BIRC0000105A00	C RESISTOR	0Ω 1/10W						
R623	BIRC3330105A00	C RESISTOR	33KΩ 1/10W						
R624	BIRC5630105A00	C RESISTOR	56KΩ 1/10W						
R625	BIRC5630105A00	C RESISTOR	56KΩ 1/10W						
R626	BIRC4720105A00	C RESISTOR	4.7KΩ 1/10W						
R627	BIRC4720105A00	C RESISTOR	4.7KΩ 1/10W						
R628	BIRC2220105A00	C RESISTOR	2.2KΩ 1/10W						
R629	BIRC2220105A00	C RESISTOR	2.2KΩ 1/10W						
R630	BIRC3920105A00	C RESISTOR	3.9KΩ 1/10W						
R631	BIRC3920105A00	C RESISTOR	3.9KΩ 1/10W						
R632	BIRM001530V	M RESISTOR	0.15Ω 3W						
R633	BIRM001530V	M RESISTOR	0.15Ω 3W						
R634	BIRM001530V	M RESISTOR	0.15Ω 3W						
R635	BIRM001530V	M RESISTOR	0.15Ω 3W						
R636	BIRC1020105A00	C RESISTOR	1KΩ 1/10W						
R637	BIRC1020105A00	C RESISTOR	1KΩ 1/10W						
R638	BIRC1530105A00	C RESISTOR	15KΩ 1/10W						
R639	BIRC1530105A00	C RESISTOR	15KΩ 1/10W						
R640	BIRC0470045N00	C RESISTOR	4.7Ω 1/4W						
R641	BIRC0470045N00	C RESISTOR	4.7Ω 1/4W						
R642	BIRC1020105A00	C RESISTOR	1KΩ 1/10W						
R643	BIRC1020105A00	C RESISTOR	1KΩ 1/10W						
R644	BIRC1030105A00	C RESISTOR	10KΩ 1/10W						
R645	BIRC1030105A00	C RESISTOR	10KΩ 1/10W						
R646	BIRC4710105A00	C RESISTOR	470Ω 1/10W						
R647	BIRC4740105A00	C RESISTOR	470KΩ 1/10W						
R648	BIRC0470045N00	C RESISTOR	4.7Ω 1/4W						
R649	BIRC0470045N00	C RESISTOR	4.7Ω 1/4W						

**Power trans board
(MX-KC45UW,MX-KC45UY.MX-KC45UJ)**

Block No. [1][2]

Symbol No.	Part No.	Part Name	Description	Local
Q901	DTC114YS	DIGI TRANSISTOR	BI2DTC114YKA011	
D901	1SS133	FR DIODE	BI31SS133M000V7	
D902	1SS133	FR DIODE	BI31SS133M000V7	
D903	1SS133	FR DIODE	BI31SS133M000V7	
D904	1SS133	FR DIODE	BI31SS133M000V7	
D905	1SS133	FR DIODE	BI31SS133M000V7	
D906	1SS133	FR DIODE	BI31SS133M000V7	
C901	BICH223250ZM01	C CAPACITOR	0.022uF 25V	
C902	BICH223250ZM01	C CAPACITOR	0.022uF 25V	
C903	BICH223250ZM01	C CAPACITOR	0.022uF 25V	
C904	BICH223250ZM01	C CAPACITOR	0.022uF 25V	
C905	BICE477250MP01	E CAPACITOR	470uF 25V	
C907	BICE335500MP01	E CAPACITOR	3.3uF 50V	
△ C951	BICT224275MX	TA CAPACITOR	0.22uF 275V	
R901	BIRC1000085M00	C RESISTOR	10Ω 1/8W	
R902	BIRC4720085M00	C RESISTOR	4.7KΩ 1/8W	

Symbol No.	Part No.	Part Name	Description	Local
CW902	BI12P60176X	CONNECTOR WIRE	6P to AMP CN902	
CW903	BI12P80121X	CONNECTOR WIRE	8P to AMP CN903	
△ PT902	BI211011151001	POWER TRANS	EI28SI	
△ RY901	BI8RL00331X	RELAY	RELAYDC9V	
△ S901	BI805220X	POWER SWITCH	SDKPA40700	
XXXXX	BI11W080H2Y	80MM WIRE UL1672	F1A to F1B RED	
XXXXX	BI11W080H3Y	80MM WIRE UL1672	F2A to F2B ORANGE	
XXXXX	BI11W080H4Y	80MM WIRE UL1672	F3A to F3B YELLOW	
XXXXX	BI11W080H6Y	80MM WIRE UL1672	F4A to F4B BLUE	

Wiring

Block No. [1][3]

Symbol No.	Part No.	Part Name	Description	Local
XXXXX	BI1205291Y	FFC CABLE	16P for MAIN CN701 to CD MECH CW701	
XXXXX	BI1207231Y	FFC CABLE	18P for MAIN CN201 to FRONT CW201	
XXXXX	BI1207241Y	FFC CABLE	9P for MAIN CN303 to CASS MACHA	
XXXXX	BI1207251Y	FFC CABLE	24P for MAIN CN601 to AMP CW601	
XXXXX	BI1207451Y	FFC CABLE	12P for MAIN CN306 to TUNER	E,EN
XXXXX	BI12P20205V	CONNECTOR ASSY	2P	
XXXXX	BI12P30269Y	CONNECTOR WIRE	3P for MAIN CN301 to CASS MECHA	
XXXXX	BI12P80123Y	CONNECTOR WIRE	8P for MAIN CN302 to CASS MECHA	
XXXXX	BIRT103THMSP01	THERMISTOR	10K	
XXXXX	BI1207271Y	FFC CABLE	12P for MAIN CN306 to TUNER	A,UW, UY,UJ

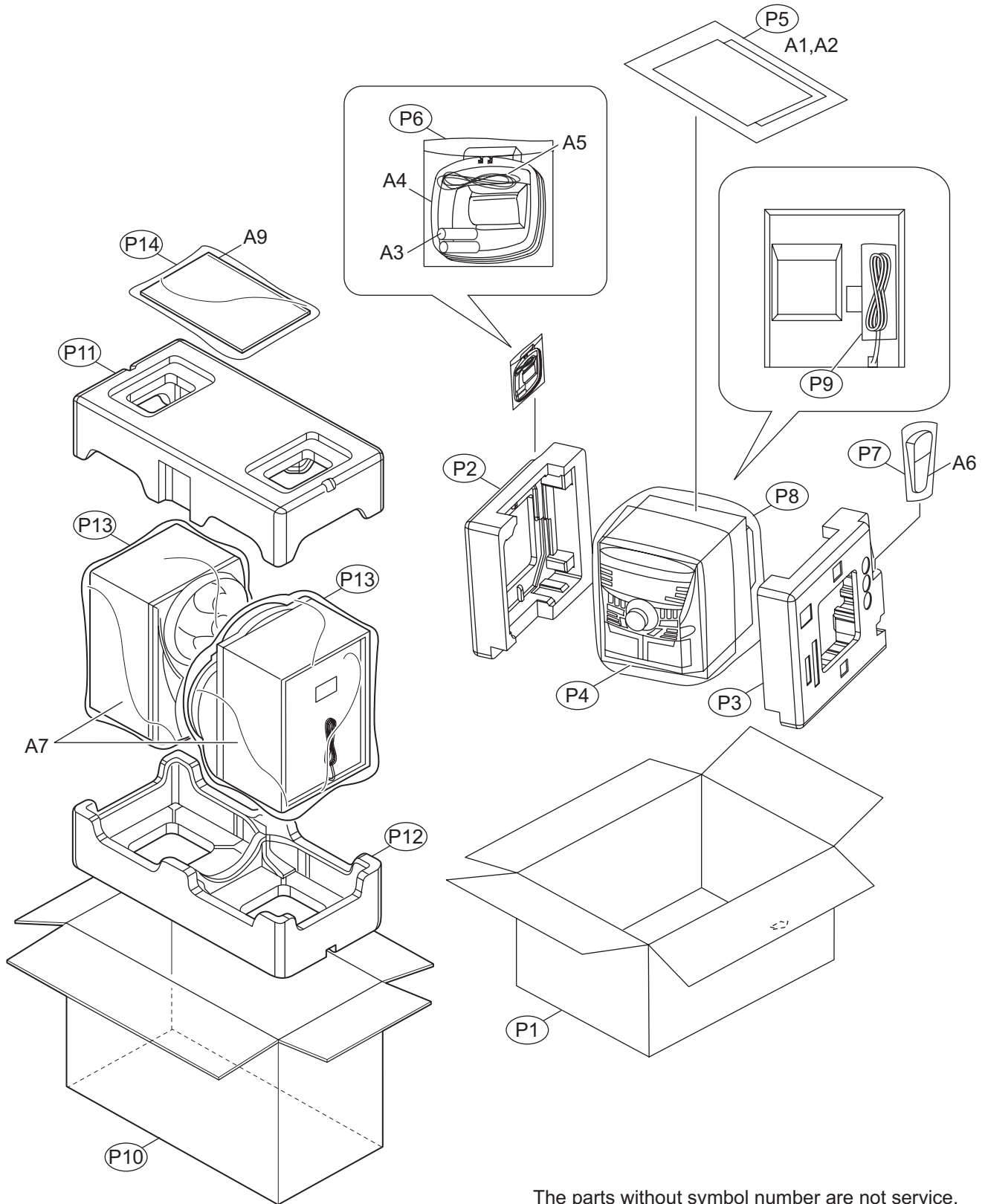
<MEMO>

Packing materials and accessories parts list

Block No. **M** **3** **M** **M**

(MX-KC45E, MX-KC45EN)

No additional / supplemental order of WARRANTY CARDS are available.



The parts without symbol number are not service.

Packing and Accessories (MX-KC45E,MX-KC45EN)

Block No. [M][3][M][M]

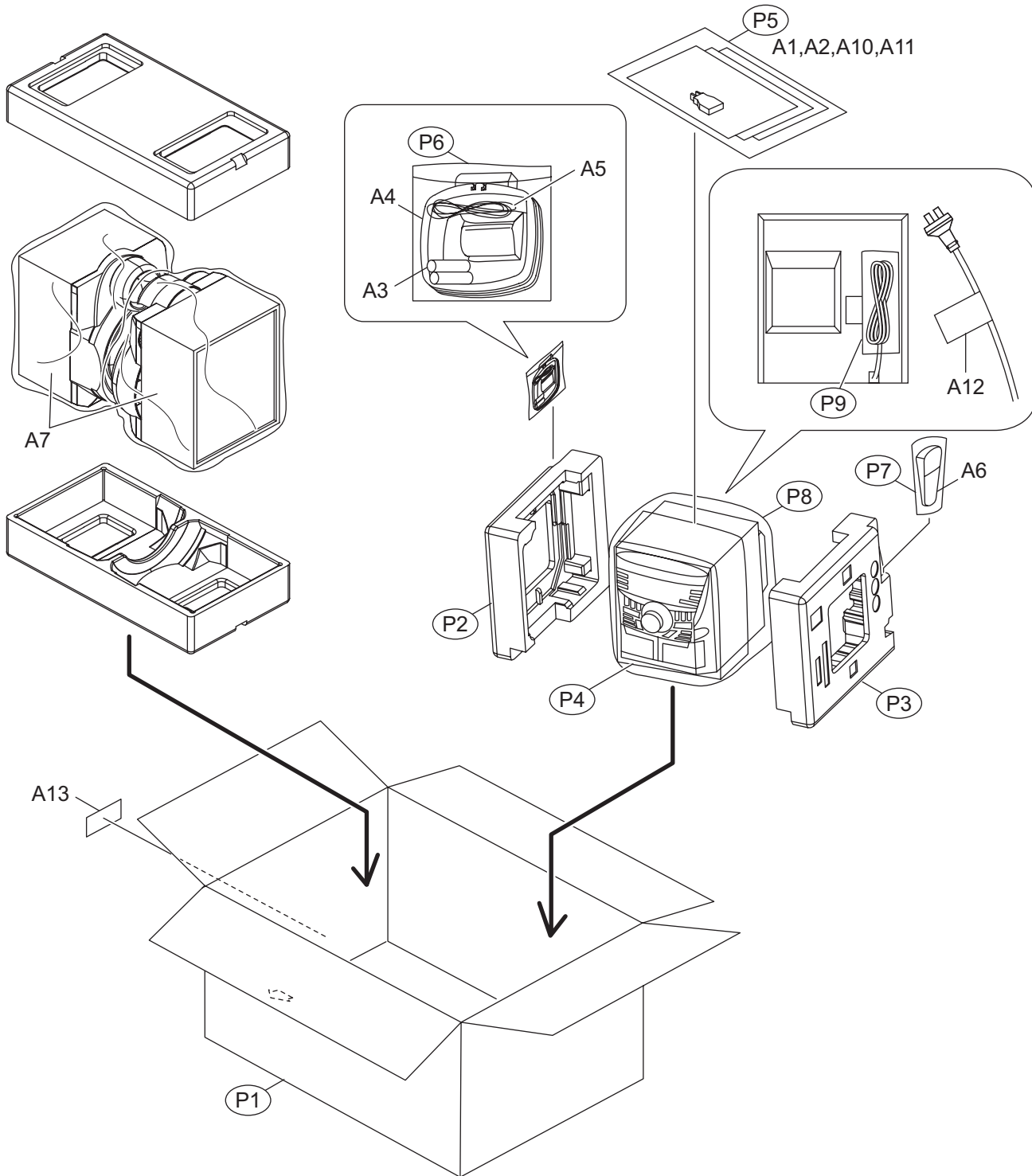
△ Symbol No.	Part No.	Part Name	Description	Local
A 1	BI440001744000	INST BOOK	LVT1521-007A GER FRE ITA DUT	E
A 1	BI440001778000	INST BOOK	LVT1521-008A SPA DAN FIN SWE POR	EN
A 2	-----	WARRANTY CARD	BT-54028-1(0905)	
A 3	-----	BATTERY	(x2)	
A 4	BIAN01361X	AM LOOP ANT		
A 5	BIAN01371Y	ANT WIRE		
A 6	BI643KC4502SX0	REMOCON		
A 7	BI644MKC45202S	SPEAKER BOX		
A 9	BI440001742000	INST BOOK	for SPK	
P 1	BI430002073000	CARTON	for UNIT	
P 2	BI450012098001	POLY FORM L	for UNIT	
P 3	BI450012099001	POLY FORM R	for UNIT	
P 4	BI450011145001	MAT SHEET		
P 5	BI470011031004	POLY BAG	for INST	
P 6	BI470011057004	POLY BAG	for ANT LOOP	
P 7	BI470011526000	POLY BAG	for RC	
P 8	BI470011032004	POLY BAG	for UNIT	
P 9	BI470011067002	POLY BAG	for AC CORD	
P 10	BI430002111000	CARTON	for SPK	
P 11	BI450012087000	TOP POLYFOAM		
P 12	BI450012088000	BOTTOM POLYFOAM		
P 13	BI470011842000	POLY BAG	for SPK(x2)	
P 14	BI470011841000	POLY BAG	for INST	

Packing materials and accessories parts list

Block No. M 4 M M

(MX-KC45A, MX-KC45UW, MX-KC45UY, MX-KC45UJ)

No additional / supplemental order of WARRANTY CARDS are available.



The parts without symbol number are not service.

Packing and Accessories (MX-KC45A,MX-KC45UW,MX-KC45UY.MX-KC45UJ)

Block No. [M][4][M][M]

△	Symbol No.	Part No.	Part Name	Description	Local
	A 1	BI440001708000	INST BOOK	LVT1521-006A ENG	A
	A 1	BI440001709000	INST BOOK	LVT1521-004A ENG SPA POR	UW
	A 1	BI440001710000	INST BOOK	LVT1521-005A SPA	UY
	A 1	BI440001711000	INST BOOK	LVT1521-003A ENG	UJ
	A 2	-----	WARRANTY CARD	BT-56017-1	A
	A 3	-----	BATTERY	(x2)	
	A 4	BIAN01361X	AM LOOP ANT		
	A 5	BIAN01371Y	ANT WIRE		
	A 6	BI643KC4544SX0	REMOCON		
	A 7	BI644MKC45238S	SPEAKER BOX		A,UW,UJ
	A 7	BI644MKC45209S	SPEAKER BOX		UY
	A 10	-----	WARRANTY CARD	BT-56016-1	A
△	A 11	BI23A0095X	CONVERSION PLUG	JT-0476S 02-003	UW,UJ
	A 12	BI460012062000	CAUTIONLABEL	for POWER CORD	UY
	A 13	BI460012061000	UYLABEL	for CARTON	UY
	P 1	BI430002045000	MASTERCARTON		A
	P 1	BI430002046000	MASTERCARTON		UW,UY,UJ
	P 2	BI450012098001	POLY FORM L	for UNIT	
	P 3	BI450012099001	POLY FORM R	for UNIT	
	P 4	BI450011145001	MAT SHEET		
	P 5	BI470011031004	POLY BAG	for INST	
	P 6	BI470011057004	POLY BAG	for ANT LOOP	
	P 7	BI470011526000	POLY BAG	for RC	
	P 8	BI470011032004	POLY BAG	for UNIT	
	P 9	BI470011067002	POLY BAG	for AC CORD	